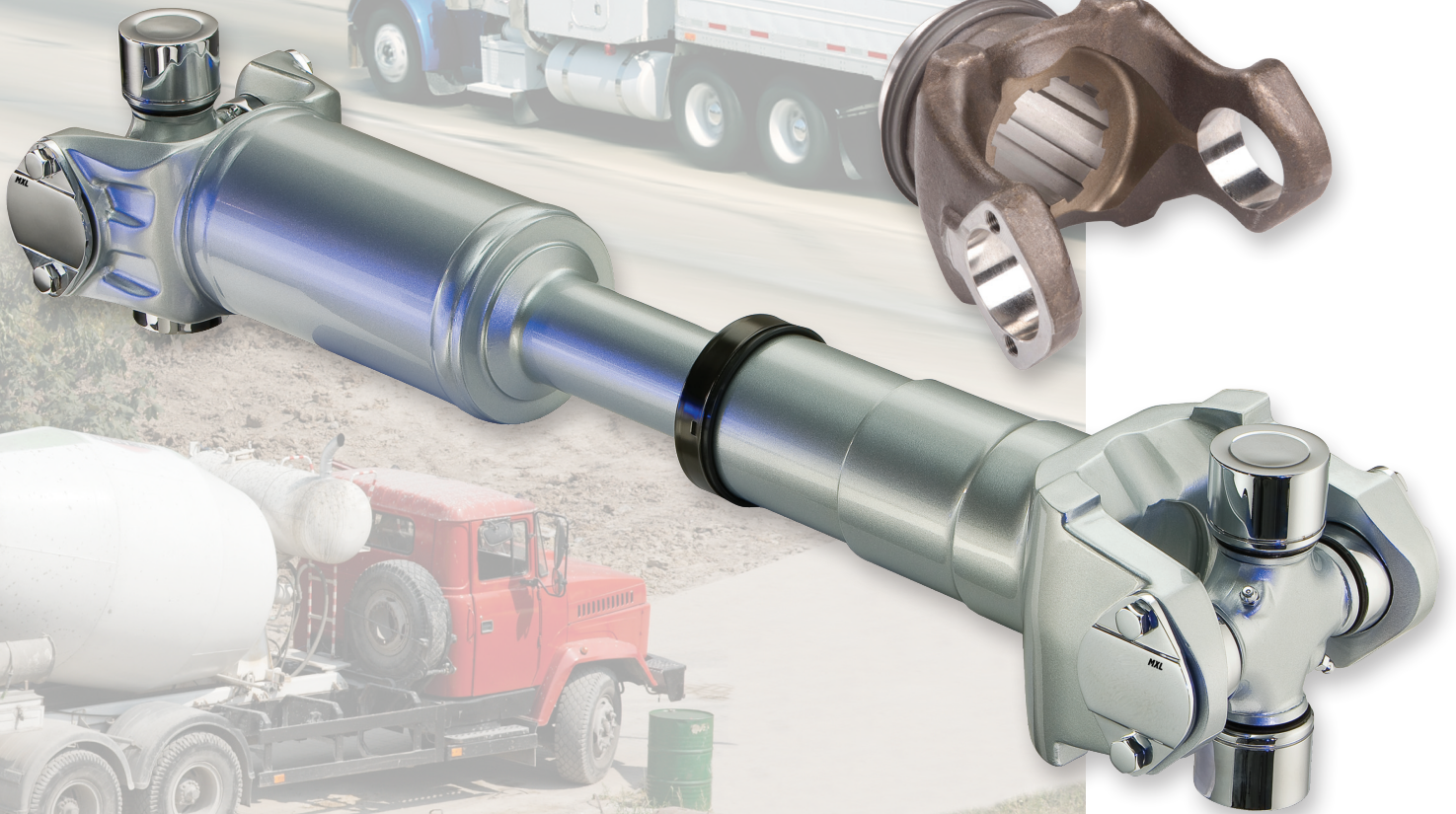


MERITOR® DRIVELINE COMPONENTS



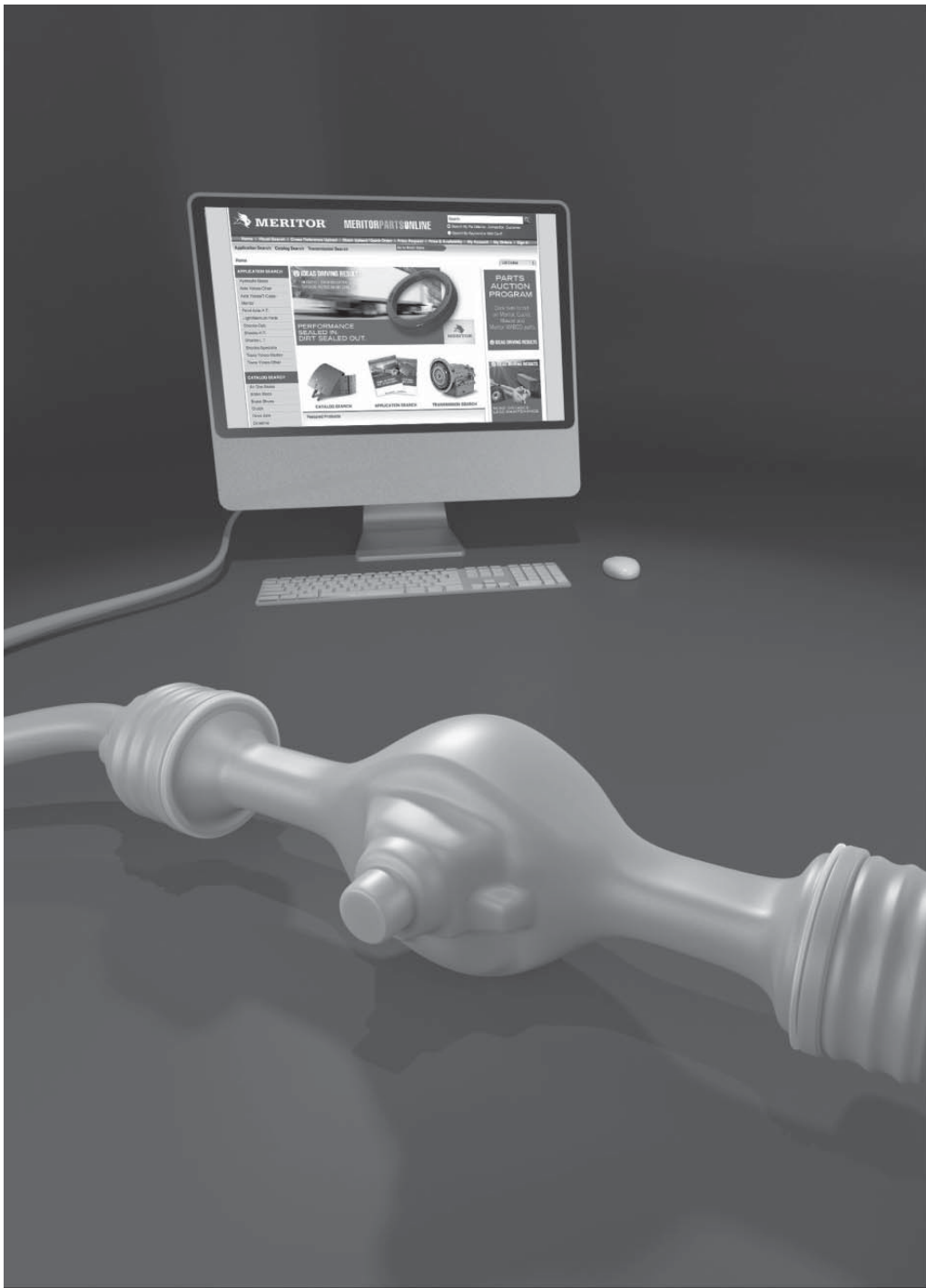
MERITOR



PB-9895

TABLE OF CONTENTS

Companion Flanges and Flange Yokes	1
Slip Yokes	2
End Yokes	3
End Yokes — Easy Service	4
Weld Yokes	5
Tubing and Yoke & Tube Assemblies	6
Bearing Stubs and Spline Plugs	7
Shaft Yokes	8
Small Parts	9
U-Joint Kits	10
Center Bearings	11
C.V. Components & P.T.O. Assemblies	12
L6N Steering Components	13
10N Series	14
Companion Flange and End Yoke Application Guide Index	15
Tech Tips	16
Supersession Listing	17
Cross Reference	18
Numerical Parts Listing	19



MERITOR WABCO
Safety Strong. Efficiency Smart.

ALLFIT

EUCLID

Remanufactured by Meritor®
GREEN

MERITORPARTSONLINE.COM

Your 24/7/365 access to genuine Meritor®, Meritor WABCO, Meritor AllFit, Euclid®, and Meritor Green parts ordering, plus real-time pricing, parts comparisons and in-depth technical information.

©2014 Meritor, Inc. meritor.com


MERITOR

Features and Benefits of Meritor Extend Lube

○ Extended Lubrication Intervals

- Lube intervals of 100,000 miles for both slip section and u-joint reduce operating and maintenance costs

○ Advanced Sealing - Slip Section

- Field proven internally mounted advanced nitrile seal design ensures lubrication is protected from contaminants and prevents water intrusion
- Seal shroud incorporated from RPL design improves sealing characteristics and retains seals securely in place



○ MXL - U-Joints

- Incorporates and builds upon the proven RN series U-joint design with RPL premium sealing technology
- U-joints are equipped with triple-lip seals to keep lubrication in and contaminants out for longer life
- U-joints feature proven technology including nylon thrust washers that eliminate metal-to-metal contact, preventing wear and extending life
- 2-Year/Unlimited Mileage aftermarket warranty
- 100,000 mile lubrication intervals for linehaul applications



○ Additional Performance Advantages

- Available in both full round and easy service yoke configurations
- Corrosion resistant seal guard protects and secures advanced slip seal improving durability over "booted" designs
- Standard with Polyglide™ coating which minimizes axial loads by reducing friction
- Robust easy service u-joint retention system eliminates spinning cups, through improved clamping force
- Tighter balance specifications reduces the potential for vibrations and ensures smooth operating performance

○ Gold Self Aligning Center Bearing

- Standard on MXL
- Accommodates +/- 5 degree driveline angularity
- Sealed bearing with integral deflector shield and grease barrier protects the bearing against contamination without the use of external deflectors



DRIVELINES & COMPONENTS

BROCHURE

PHOTOS

SAVINGS CALCULATOR

SIZING CALCULATOR

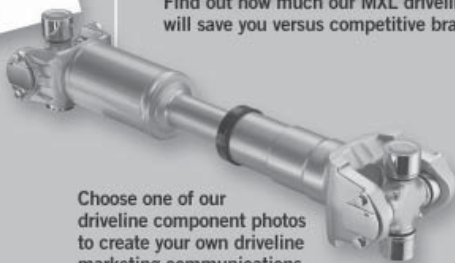
ASK A QUESTION



Download a copy of the MXL brochure for important details on how MXL drivelines and components can drive superior results for your business.



Find out how much our MXL driveline will save you versus competitive brands.



Choose one of our driveline component photos to create your own driveline marketing communications.



Complete our contact request form with any driveline inquiries and we'll get right back with you.



Use our driveline sizing calculator to find out exactly which driveline is best for your application.

MERITORDRIVELINES.COM

VALUABLE TOOLS AND SO MUCH MORE.

To help your customers spec the driveline components that give them the maximum payback, check out the tools and information at meritordrivelines.com. The site features key information on our wide array of driveline assemblies and components. Plus savings and sizing calculators to help ensure your customers achieve a greater R.O.I. and the lowest cost of ownership. Visit meritordrivelines.com today.

©2014 Meritor, Inc.



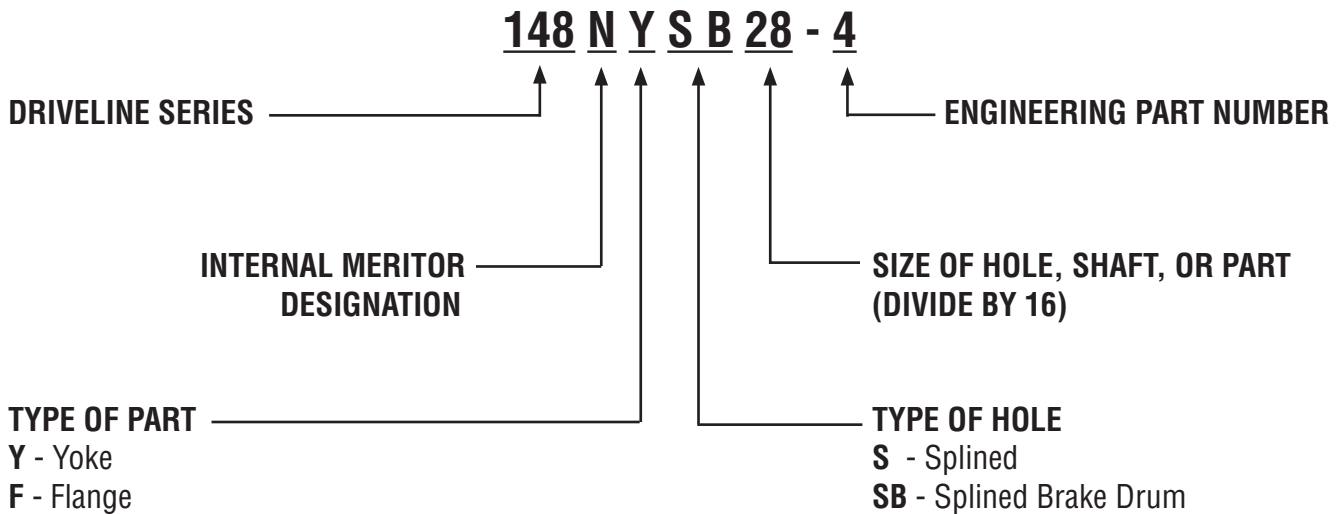
INDEX

Companion Flanges and Flange Yokes	Page
BRAKE FLANGE YOKES	
Round Bearings	1-4
Wing Bearings	1-6
COMPANION FLANGES	
Round	1-1
FLANGE YOKES	
Bearing Plate	1-3
Outside Snap Ring	1-2
R-Series	1-3
Wing Bearings	1-3

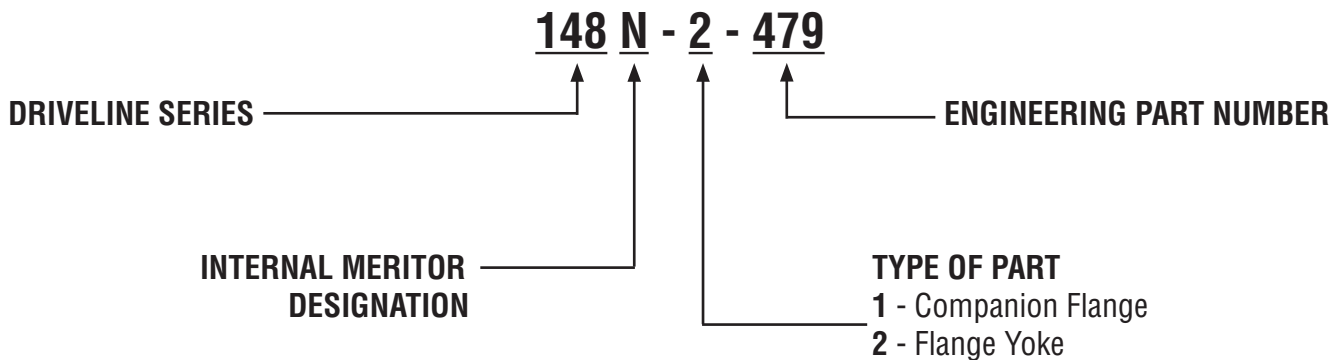
MERITOR NUMBERING SYSTEM

Meritor components may be identified by one of the numbering systems shown below. Aftermarket numbers are issued to make Meritor components easy to select when choosing a replacement component.

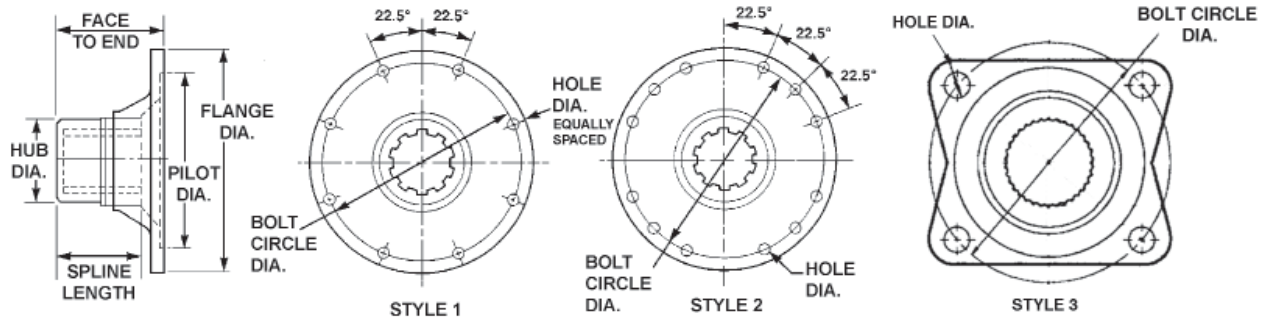
MERITOR ENGINEERING NUMBER



MERITOR AFTERMARKET NUMBER



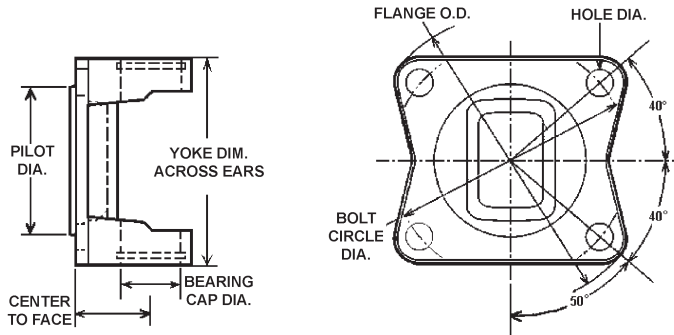
COMPANION FLANGES — ROUND



Spline Size	Face to End	Spline Length	Hub Diameter	Pilot Diameter M=Male F=Female	Bolt Circle Diameter	Hole Diameter	Flange O.D.	Style	Part Number
1.75"	2.84"	2.50"	2.25"	3.75"	4.75"	.516", .52"	Square	3	A-3260-D-4
1.75" - 10	3.50"	2.00"	2.50"	M-3.75"	4.75"	.50"	5.75"	1	148N-1-6081X
1.75" - 34	2.84"	2.50"	2.25"		4.75"	.516", .52"	Square	3	2WCS28-73
1.75" - 34	2.94"	2.25"	2.50"	F-6.63"	6.13"	.38"	6.88"	1	3WCS28-93A ¹
1.97" - 10	3.38"	2.62"	2.75"	F-7.75"	7.25"	.38"	8.00"	1	5WCS31-7A1 ¹
2.00" - 10	3.33"	2.94"	3.19"	F-7.75"	7.25"	.38"	8.00"	1	5WCS32-83
2.00" - 39	3.31"	2.31"	3.00"	F-7.75"	7.25"	.41"	8.00"	1	5WCS32-86
2.00" - 39	3.31"	2.31"	3.00"	F-7.75"	7.25"	.41"	8.00"	1	5WCS32-86A
2.00" - 39	3.31"	2.31"	3.00"	F-7.75"	7.25"	.41"	8.00"	1	5WCS32-86A2 ¹
2.00" - 39	3.31"	2.44"	2.75"	F-7.75"	7.25"	.38"	8.00"	1	5WCS32-103
2.00" - 39	3.31"	2.63"	2.75"	F-7.75"	7.25"	.38"	8.00"	1	5WCS32-103A1 ¹
2.00" - 39	3.38"	2.31"	3.00"	F-6.63"	6.13"	.38"	6.88"	1	3WCS32-73
2.00" - 39	3.38"	2.44"	2.75"	F-3.86"	5.08"	.58"	6.30"	2	3WCS32-75A1 ¹
2.38" - 46	3.56"	2.32"	3.25"	F-7.75"	7.25"	.44"	8.00"	2	5WCS38-23A2 ¹
2.38" - 46	3.64"	2.88"	3.25"	F-7.75"	7.25"	.44"	8.00"	2	5WCS38-24A
2.38" - 46	3.88"	2.32"	3.25"	F-7.75"	7.25"	.38"	8.00"	1	5WCS38-18A
2.53" - 16	3.50"	2.75"	3.50"	F-7.75"	7.25"	.44"	8.00"	1	5WCS40-45A ²
2.53" - 16	3.68"	2.75"	3.50"	F-7.75"	7.25"	.44"	10.06"	1	5WCS40-39 ³
2.53" - 16	3.75"	2.75"	3.50"	F-4.41"	5.83"	.58"	7.19"	1	5WCS40-29A1

1 Includes deflector/slinger.
 2 Includes wear sleeve/wiper.
 3 Has additional pilot and threaded holes for mounting a parking brake drum. Includes wear sleeve and deflector.

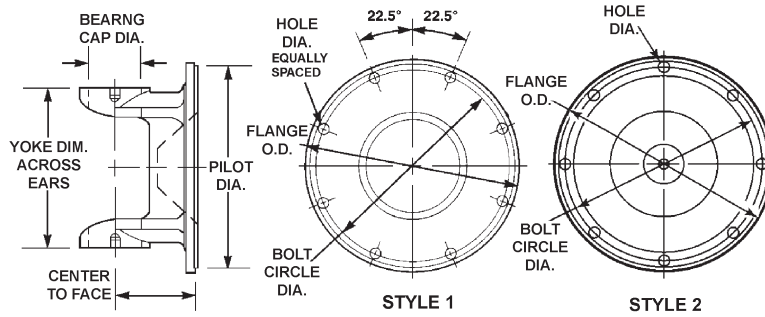
FLANGE YOKES — OUTSIDE SNAP RING



Center to Face	Yoke Dim. Across Ears	Pilot Diameter M=Male F=Female	Bolt Circle Diameter	Bearing Cap Diameter	Hole Diameter	Flange O.D.	Joint Angle	Part Number
1210 SERIES U-JOINT KIT: GCP443X								
1.48"	2.69"	M-2.25"	2.75"	1.06"	.31"	3.36"	20°	121N-2-899
1.50"	2.69"	M-1.81"	2.16"	1.06"	.31"	3.81"	20°	121N-2-2323
1.63"	2.69"	F-2.00"	3.50"	1.06"	.50"	4.88"	20°	121N-2-1049
1.63"	2.69"	F-2.87"	3.94"	1.06"	.39"	4.88"	20°	121N-2-1050
1.81"	2.69"	M-1.77"	2.39"	1.06"	.39"	4.62"	20°	121N-2-686
131N SERIES U-JOINT KIT: CP153X or CP200X								
1.38"	3.47"	M-2.38"	3.13"	1.06"	.38"	3.88"	20°	131N-2-329
1.38"	3.47"	M-2.75"	3.75"	1.06"	.44"	4.63"	20°	131N-2-479
1.38"	3.47"	M-3.63"	2.63"	1.06"	.38"	3.63"	20°	131N-2-349
1.38"	3.47"	M-3.75"	4.75"	1.06"	.50"	5.88"	20°	131N-2-579
1.63"	3.47"	M-1.81"	2.21"/2.52"	1.06"	.31"	4.25"	15°	131N-2-799
1.63"	3.47"	M-1.81"	2.36"	1.06"	.39"	4.25"	15°	131N-2-799-1
1.63"	3.47"	F-2.00"	3.50"	1.06"	.50"	4.75"	20°	131N-2-939
1.63"	3.47"	M-2.25"	2.75"	1.06"	.31"	3.36"	15°	131N-2-899-1
135N SERIES U-JOINT KIT: CP178X								
1.56"	3.88"	M-2.75"	3.75"	1.19"	.44"	4.63"	20°	135N-2-119
141N SERIES U-JOINT KIT: CP141N or CP160X								
1.69"	4.44"	M-2.75"	3.75"	1.19"	.44"	4.63"	22°	141N-2-159
2.00"	4.44"	M-3.75"	4.75"	1.19"	.50"	5.88"	30°	141N-2-429
148N SERIES U-JOINT KIT: CP148N or CP188X								
2.00"	4.19"	M-3.75"	4.75"	1.38"	.50"	5.88"	20°	148N-2-479
155N SERIES U-JOINT KIT: CP155N or CP155X								
2.00"	5.25"	M-3.75"	4.75"	1.38"	.51"	5.88"	22°	155N-2-669⁹

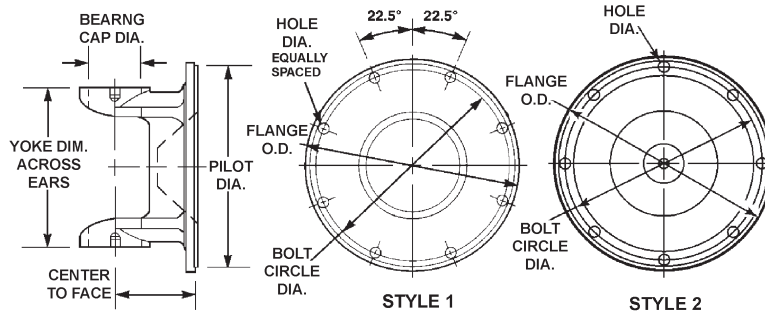
⁹ Round Flange.

FLANGE YOKES — BEARING PLATE



Center to Face	Yoke Dim. Across Ears	Pilot Diameter M=Male F=Female	Bolt Circle Diameter	Bearing Cap Diameter	Hole Diameter	Flange O.D.	Style	Joint Angle	Part Number
16N SERIES U-JOINT KIT: CP16NS or M279X									
2.75"	5.31"	M-6.62"	6.13"	1.63"	.38"	6.88"	1	22°	16N-2-279
2.75"	5.31"	M-7.75"	7.25"	1.63"	.38"	8.00"	2	22°	16N-2-629

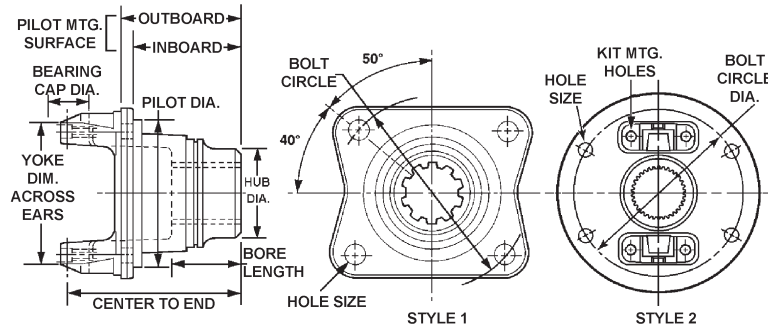
Center to Face	Yoke Dim. Across Ears	Pilot Diameter M=Male F=Female	Bolt Circle Diameter	Bearing Cap Diameter	Hole Diameter	Flange O.D.	Style	Joint Angle	Part Number
17N SERIES U-JOINT KIT: CP17NS or M280X									
3.00"	6.09"	F-6.62"	7.25"	1.94"	.44"	8.00"	1		17NF25
3.00"	6.09"	M-7.75"	7.25"	1.94"	.38"	8.00"	1	22°	17NF20
3.00"	6.09"	M-7.75"	7.25"	1.94"	.40"	8.00"	2	22°	17NF1
3.00"	6.09"	M-7.75"	7.25"	1.94"	.44"	8.00"	1	22°	17N-2-739
3.00"	6.09"	M-7.75"	7.25"	1.94"	.44"	8.00"	1		17NF27 ⁴
3.00"	6.09"	M-7.75"	7.25"	1.94"	.44"	8.00"	1		17NF28 ⁵



Face to Face	Bolt Circle Diameter	Diameter	Bolt Holes No.	Spaced	Drum Pilot Diameter M=Male F=Female	Pilot Diameter	Flange Thickness	Slot Width	Kit Mtg. Holes	Part Number
92N SERIES U-JOINT KIT: CP92N-DWT, CP92N-HB, CP92N-HWD, or PERMALUBE										
2.94"	7.25"	.44"	12	Unequally	M-7.75"	8.13"	.31"	.63"	.50" - 20TH	92NF26

⁴ Flange has eight holes equally spaced, dished out for nut clearance for ZF and Voith transmissions.
⁵ Flange has eight holes equally spaced, dished out for nut clearance for Allison transmission.

BRAKE FLANGE YOKES — ROUND BEARINGS



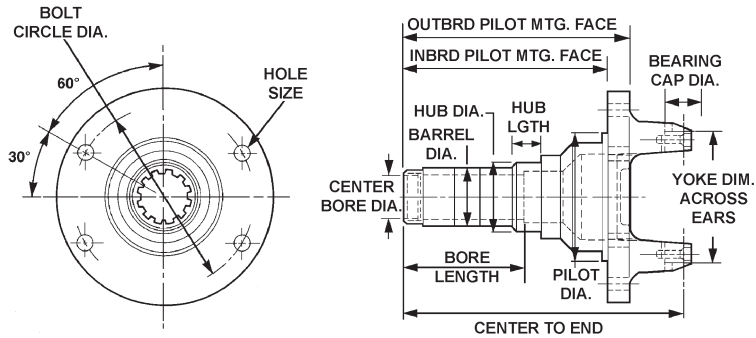
Spline Size	Ctr. to End	Hub Dia.	Bore Lgth.	Yoke Dim. Across Ears	Brg. Cap Dia.	Pilot Dia.	Outbrd Pilot Mtg. Surface	Inbrd Pilot Mtg. Surface	B. C. Dia.	Bolt Hole Size	Style	Joint Angle	Part Number
141N SERIES U-JOINT KIT: CP141N or CP160X													
1.38" - 32	6.65"	2.13"	2.16"	4.19"	1.19"	4.75"	5.16"	4.78"	5.75"	.50" - 13TH	2		141TYSB22-4A
1.50" - 35	5.06"	2.50"	2.00"	4.19"	1.19"	4.73"	3.56"		5.75"	.50" - 13TH	2	22°	141TYSB24-6 ⁶
1.50" - 35	5.06"	2.50"	2.00"	4.19"	1.19"	4.73"	3.56"		5.75"	.50" - 13TH	2	22°	141TYSB24-6A ⁷
1.75" - 10	5.06"	2.50"	2.00"	4.19"	1.19"	4.73"	3.56"	3.19"	5.75"	.50" - 13TH	1		141NYSB28-4 ⁶
148N SERIES U-JOINT KIT: CP148N or CP188X													
1.78" - 34	6.19"	2.56"	2.75"	4.19"	1.38"	3.75"		3.55"	4.75"	.50" - 13TH	1	40°	148NYSB29A
1.78" - 34	6.19"	2.56"	2.75"	4.97"	1.38"	3.75"		3.55"	4.75"	.50" - 13TH	2		148TYSB29-1
1.78" - 34	6.25"	2.56"	2.75"	4.19"	1.38"	6.44"	3.55"		7.25"	.38" - 24TH	2		148TYSB28-11A ⁶
1.81" - 34	6.19"	2.56"	2.75"	4.19"	1.38"	3.75"	3.05"	3.55"	4.75"	.50" - 13TH	1	40°	148NYSB29
1.81" - 34	6.19"	2.56"	2.75"	4.19"	1.38"	3.75"		3.52"	4.75"	.50" - 13TH	2		148TYSB29-1A
2.00" - 38	6.00"	2.75"	2.13"	4.19"	1.38"	6.45"	4.19"	3.69"	7.25"	.38" - 24TH	2		148TYSB32-2A ⁶
155N SERIES U-JOINT KIT: CP155N or CP155X													
1.50" - 10	4.70"	2.25"	2.00"	4.97"	1.38"	6.44"	3.09"	2.72"	7.25"	.41" - DR	2		155TYSB24-5
1.78" - 34	6.25"	2.56"	2.75"	4.97"	1.38"				7.25"	TH	2		155TYSB28-22A
1.78" - 34	6.25"	2.56"	2.75"	4.97"	1.38"	3.75"		3.55"	7.25"	.38" - 24TH	2		155TYSB28-14A ⁸
1.78" - 34	6.25"	2.56"	2.75"	4.97"	1.38"	6.44"	3.80"		7.25"	.41" - DR	2		155TYSB28-40A
1.81" - 34	6.26"	2.56"	2.76"	4.97"	1.38"	3.75"		3.54"	4.75"	.50" - TH	2		155TYSB29-1A1
2.00" - 38	5.98"	2.75"	2.13"	4.97"	1.38"	6.44"		4.19"	7.25"	.38" - 24TH	2		155TYSB32-13A

6 Pilot diameter is located on earwork side of flange.

7 Includes drum, capscrews and washers.

8 Pilot diameter is located on earwork side of flange. Flange has eight holes equally spaced.

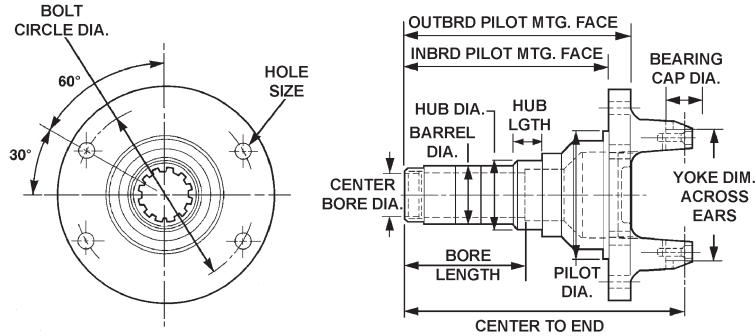
BRAKE FLANGE YOKES — ROUND BEARINGS



Spline Size	Center to End	Yoke Dim Across Ears	Brg Cap Dia.	Hub Dia.	Hub Lgth	Bore Lgth	Barrel Dia.	Center Bore Dia.	Pilot Dia.	Bolt Circle Dia.	Bolt Hole Size	Outbrd Pilot Mtg Surface	Inbrd Pilot Mtg Surface	Part Number
141N SERIES U-JOINT KIT: CP141N or CP160X														
1.38" - 32	8.55"	4.19"	1.19"	2.13"	1"	3.72"	1.77"	1.44" x .41"	3.38"	5.50"	.45" - DR	6.77"	6.17"	141TYSB22-17A ^{7,8}
1.38" - 32	8.55"	4.19"	1.19"	2.13"	1"	3.72"	1.77"	1.44" x .41"	3.38"	5.50"	.45" - DR	6.77"	6.17"	141TYSB22-18A ⁷
1.39" - 32	8.72"	4.19"	1.19"	2.13"	1"	3.66"	1.69"	1.44" x .39"	3.56"	5.50"	.45" - DR			141TYSB22-11
1.38" - 32	8.72"	4.19"	1.19"	2.13"	1"	3.66"	1.69"	1.44" x .39"	3.56"	5.50"	.45" - DR	6.97"	6.35"	141TYSB22-11A ⁷
1.81" - 34	9.38"	4.19"	1.19"	3.38"		2.75"			4.19"	5.50"	.45" - DR		6.97"	141TYSB29-1A

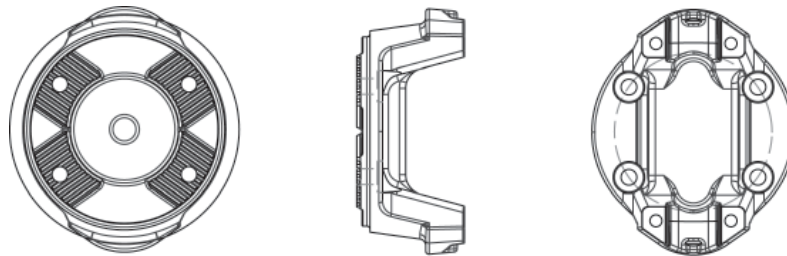
7 Includes drum, capscrews and washers.
8 Phosphate coated.

BRAKE FLANGE YOKES — WING BEARINGS



Spline Size	Face to End	Hub Dia.	Bore Lgth	Pilot Dia.	Drum Pilot Dia.	Outbrd Pilot Mtg Surface	Inbrd Pilot Mtg Surface	Bolt Circle Dia.	Flange O.D.	Bolt Hole Size	Kit Mtg. Holes	Slot Width	Part Number
58WB SERIES U-JOINT KIT: CP92N-DWT, CP92N-HB, CP92N-HWD, or PERMALUBE													
1.88" - 14	4.40"	2.56"	2.32"	5.31"	4.87"		2.88"	5.75"	6.53"		.38" - 24TH	.63"	58WBYSB30-6
62N SERIES U-JOINT KIT: CP62N-DWT, CP62N-HB, CP62N-HWD, or PERMALUBE													
1.50" - 10	3.94"	2.25"	2.19"	5.53"	6.44"	3.09"	2.72"	7.25"	8.25"	.41" - DR	.38" - 24TH	.56"	62NYSB24-31
72N SERIES U-JOINT KIT: CP72N-DWT, CP72N-HB, CP72N-HWD, or PERMALUBE													
2.00" - 39	4.06"	3.00"	2.31"	5.84"	6.50"	3.15"	2.84"	7.25"	8.25"	.41" - DR	.50" - 20TH	.63"	72NYSB32-258
85WB SERIES U-JOINT KIT: CP85WB-DWT, CP85WB-HB, CP85WB-HWD, or PERMALUBE													
2.25" - 10	4.31"	3.00"	3.00"	6.50"	6.78"	3.22"		7.81"	8.69"	.45" - DR	.50" - 20TH	.63"	85WBYSB36-30 ⁶
2.38" - 46	4.31"	3.25"	2.88"	6.50"	6.75"	3.08"		7.81"	8.69"	.45" - DR	.50" - 20TH	.63"	85WBYSB38-16 ⁶
92N SERIES U-JOINT KIT: CP92N-DWT, CP92N-HB, CP92N-HWD, or PERMALUBE													
2.25" - 10	7.63"	3.25"	3.00"	8.25"	10.50"		6.00"	12.00"	13.63"	.63" - 11TH	.50" - 20TH	.63"	92NYSB36-72 ¹⁰

BRAKE FLANGE YOKES — R SERIES



Face to Center Line of U-Joint	Yoke Dia. Across Nibbs	CL to CL Bolt Holes	Bolt Circle Dia.	Mtg. Hole Size	Number of Mtg. Holes	Kit Mtg. Holes	Part Number
25R SERIES U-JOINT KIT: KIT-RPL-25-20							
4.40"	8.38"	2.81"	5.91"	.59" DR	4	.50" - 20TH	25WF3C

⁶ Pilot diameter is located on earwork side of flange.
¹⁰ Flange has ten holes equally spaced.

SECTION 2

INDEX

Slip Yokes **Page**

SLIP YOKES

Bearing Plate	2-4
Inside Snap Rings.....	2-3
Outside Snap Rings.....	2-1
Wing Bearings	2-5

TRANSMISSION SLIP YOKES

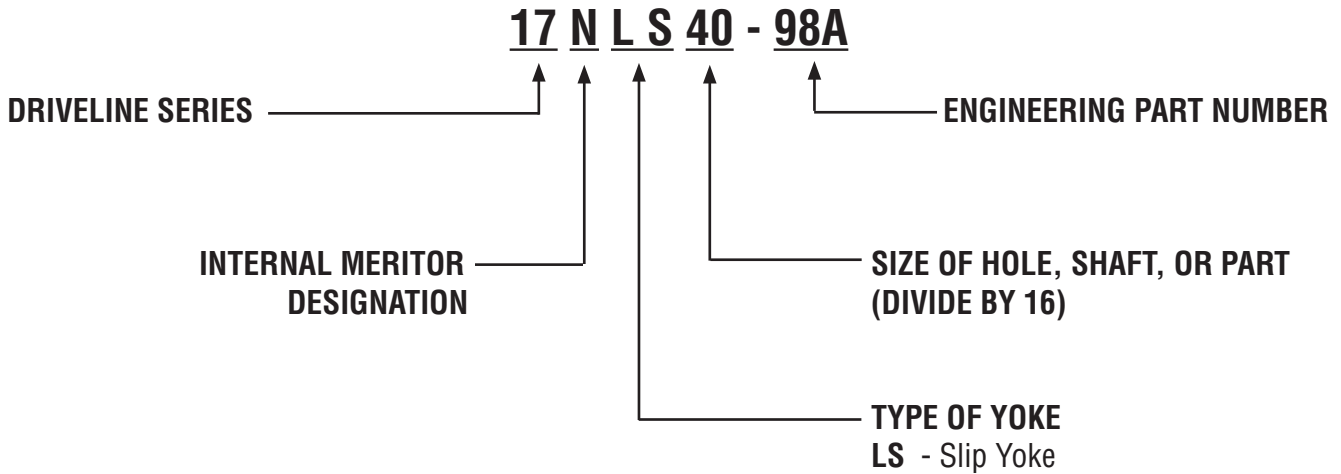
Inside Snap Rings.....	2-6
Outside Snap Rings.....	2-6

MERITOR NUMBERING SYSTEM

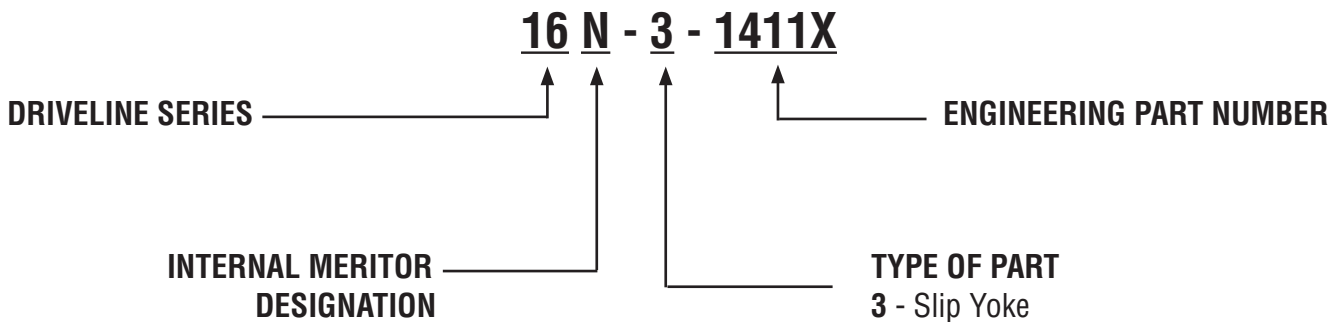
Meritor components may be identified by one of the numbering systems shown below.

Aftermarket numbers are issued to make Meritor components easy to select when choosing a replacement component.

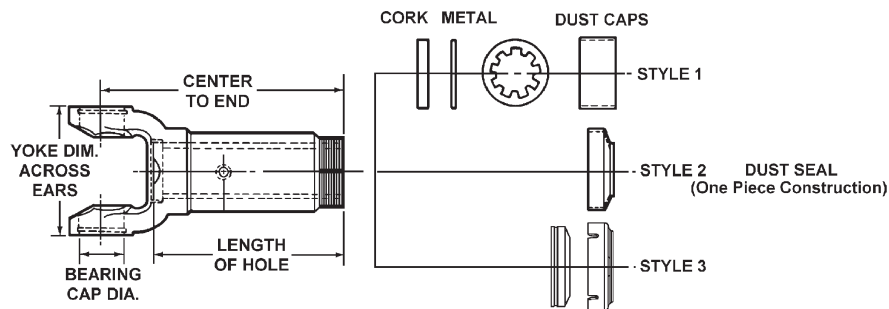
MERITOR ENGINEERING NUMBER



MERITOR AFTERMARKET NUMBER



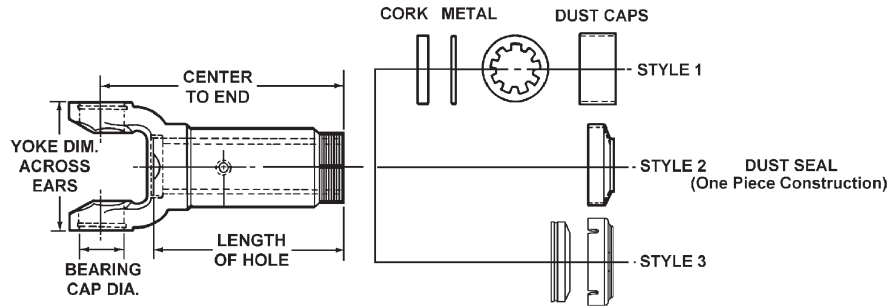
SLIP YOKES — OUTSIDE SNAP RINGS



Spline Size	Center to End	Length of Hole	Yoke Dim. Across Ears	Bearing Cap Dia.	Dust Cap Style	Dust Cap	Joint Angle	Part Number
121N SERIES U-JOINT KIT: CP443X								
1.25" - 14	6.41"	5.13"	2.69"	1.06"	2 Snap-On	R280196	20°	121N-3-8861KX ¹
1.25" - 14	8.02"	6.75"	2.69"	1.06"	2 Snap-On	R280196	20°	121N-3-8961KX ¹
131N SERIES U-JOINT KIT: CP153X or CP200X								
1.25" - 16	6.56"	6.03"	3.47"	1.06"	1	ND2K	30°	131N-3-4441KX
1.38" - 16	5.38"	4.33"	3.47"	1.06"	2 Snap-On	R280194	15°	131N-3-128KX
1.38" - 16	6.00"	4.95"	3.47"	1.06"	2 Snap-On	R280194	20°	131N-3-7981KX
1.38" - 16	6.88"	5.34"	3.47"	1.06"	2 Snap-On	R280194	30°	131N-3-8001KX
1.38" - 16	7.88"	6.34"	3.47"	1.06"	2 Snap-On	R280194	30°	131N-3-8021KX
1.38" - 31	6.63"	6.09"	3.47"	1.06"	2	ND3A	15°	131N-3-7171KX
1.50" - 16	6.88"	6.34"	3.47"	1.06"	2	ND3A	30°	131N-3-6061KX
133N SERIES U-JOINT KIT: CP213X								
1.38" - 15	6.63"	6.09"	3.88"	1.06"	2 Snap-On	R280194	15°	133N-3-7681KX
1.38" - 16	6.00"	4.95"	3.88"	1.06"	2 Snap-On	R280194	15°	133N-3-7961KX
1.38" - 16	7.50"	6.41"	3.88"	1.06"	2 Snap-On	R280194	19°	133N-3-8041KX
135N SERIES U-JOINT KIT: CP178X								
1.38" - 16	5.25"	4.66"	3.88"	1.19"	1	ND3E	15°	135N-3-758KX
1.38" - 16	5.25"	5.22"	3.88"	1.19"	1 Snap-On	R280195	15°	135N-3-1501KX
1.38" - 31	6.63"	6.03"	3.88"	1.19"	2	ND3A	20°	135N-3-2471KX
1.50" - 16	5.81"	5.22"	3.88"	1.19"	2	ND3A	20°	135N-3-598KX
1.50" - 16	6.72"	6.13"	3.88"	1.19"	2	ND3A	20°	135N-3-1561KX
1.50" - 16	7.31"	6.72"	3.88"	1.19"	2	ND3A	20°	135N-3-488KX
141N SERIES U-JOINT KIT: CP141N or CP160X								
1.38" - 16	5.25"	4.66"	4.44"	1.18"	1	ND3E	20°	141N-3-788KX
1.38" - 16	5.81"	5.22"	4.44"	1.18"	1 Snap-On	R280195	20°	141N-3-1481KX
1.50" - 16	5.25"	4.66"	4.44"	1.18"	1	ND3K	20°	141N-3-2041KX
1.50" - 16	6.50"	5.91"	4.44"	1.18"	2	ND3A	20°	141N-3-118KX
1.50" - 16	7.81"	7.22"	4.44"	1.18"	2	ND3A	28°	141N-3-508KX
148N SERIES U-JOINT KIT: CP148N or CP188X								
1.56" - 16	6.81"	5.45"	4.44"	1.38"	2	ND3H	21°	148N-3-1601KX
1.56" - 16	9.50"	7.50"	4.44"	1.38"	2	ND3H	35°	148N-3-1641KX

¹ Spline is 14 based on 16 spacing.

SLIP YOKES — OUTSIDE SNAP RINGS

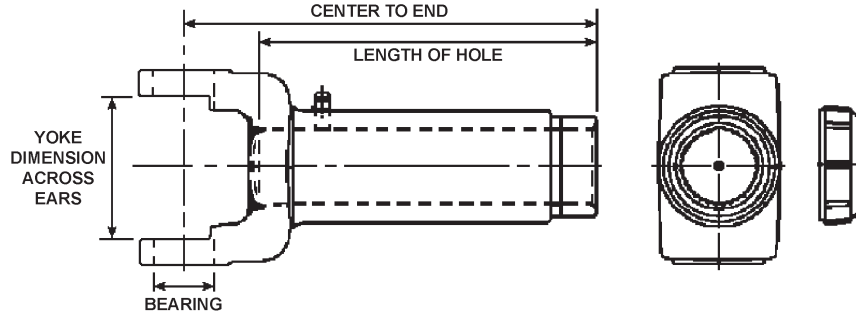


Spline Size	Center to End	Length of Hole	Yoke Dim. Across Ears	Bearing Cap Dia.	Dust Cap Style	Dust Cap	Joint Angle	Part Number
155N SERIES		U-JOINT KIT: CP155N or CP155X						
1.75" - 16	6.88"	5.81"	4.97"	1.38"	2 Snap-On	SERUR21-3	22°	155N-3-1241X
20R SERIES		U-JOINT KIT: CP20RPLS						
2.50" - 16	11.45"	8.53"	7.25"	2.06"	3	KIT 20RPL SEAL	32°	20RLS40-2A1S²
2.50" - 16	12.05"	8.53"	7.25"	2.06"	3	KIT 20RPL SEAL	44°	20RLS40-3A1S²
2.50" - 16	12.15"	9.23"	7.25"	2.06"	3	KIT 20RPL SEAL	27°	20RLS40-11A1S²
25R SERIES		U-JOINT KIT: CP25RPLS						
3.00" - 16	11.28"	8.53"	8.58"	2.06"	3	DEFR61-3 and SERUR40-21	22°	25RLS48-1A1S³

² Slip Yoke Assembly includes dust seal and shroud. Use RPL-Lube-50 grease supplied with slip yoke in installation.

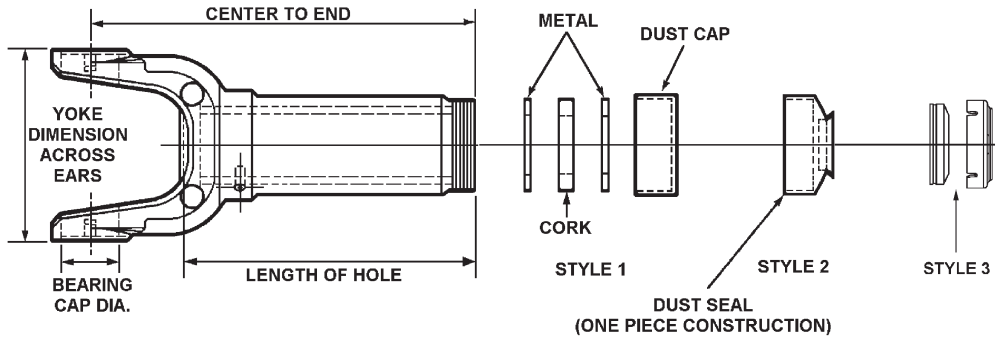
³ Slip Yoke Assembly includes dust seal and shroud. Use RPL-Lube-50 grease supplied with slip yoke in installation. If using as a replacement for 25RLS40-1A2, then must replace with KIT25RPLSLIP which includes Slip Yoke and Spline Plug.

SLIP YOKES — INSIDE SNAP RINGS



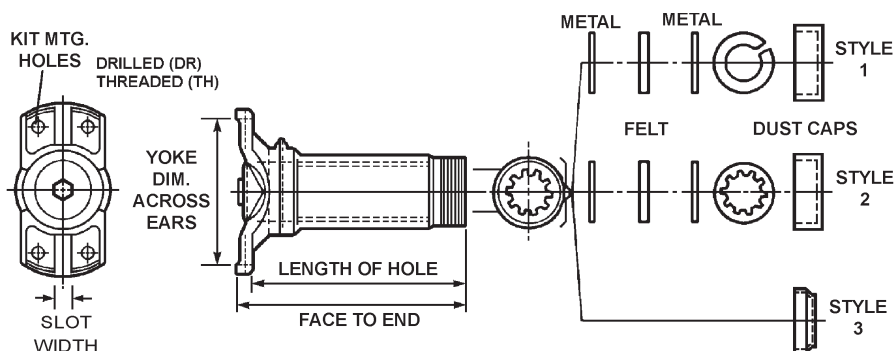
Center to End	Length of Hole	Yoke Dimension Across Ears	Bearing Cap Dia.	Dust Cap	Joint Angle	Part Number
3R SERIES		1.38" - 31 SPLINE (Based on 32 Involute Spline)		U-JOINT KIT: CP3147X		
7.38"	6.02"	2.56"	1.13"	ND3A	22°	R3R-3-9165KX
131N SERIES		1.38" - 16 SPLINE		U-JOINT KIT: CP1306X		
6.88"	5.68"	2.13"	1.08"	R280194	18°	131N-3-7260KX

SLIP YOKES — BEARING PLATE



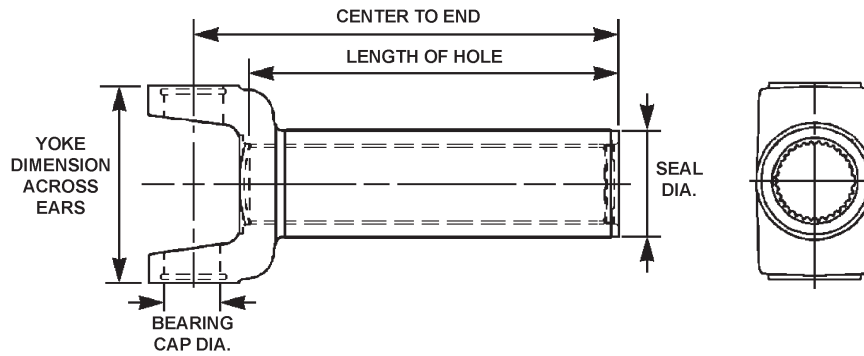
Spline Size	Center to End	Length of Hole	Yoke Dimension Across Ears	Bearing Cap Diameter	Dust Cap Style	Dust Cap	Joint Angle	Part Number
16N SERIES U-JOINT KIT: M279X								
2.00" - 16	9.31"	7.38"	5.31"	1.88"	3	KIT 6269	30°	16N-3-288X MXL
2.00" - 16	10.31"	8.38"	5.31"	1.88"	3	KIT 6269	27°	16N-3-1411X MXL
2.00" - 16	10.81"	8.38"	5.31"	1.88"	3	KIT 6269	35°	16N-3-2261X MXL
2.00" - 16	10.94"	8.60"	5.31"	1.88"	3	KIT 6269		16NLS32-47A2 MXL
2.00" - 16	11.92"	9.10"	5.31"	1.88"	3	KIT 6269		16NLS32-48A2 MXL
17N SERIES U-JOINT KIT: M280X								
2.50" - 10	8.84"	7.13"	6.09"	1.94"	1	DC17N		17N-3-1461X
2.50" - 16	6.73"	5.00"	6.09"	1.94"	3	KIT 6167		17N-3-2761X MXL
2.50" - 16	7.97"	6.25"	6.09"	1.94"	3	KIT 6167		17NLS40-98CA1 MXL
2.50" - 16	8.84"	7.13"	6.09"	1.94"	3	KIT 6167		17N-3-2631X MXL
2.50" - 16	9.59"	7.88"	6.09"	1.94"	3	KIT 6167	22°	17N-3-2671X MXL
2.50" - 16	10.41"	7.50"	6.09"	1.94"	3	KIT 6167		17N-3-3021X MXL
2.50" - 16	11.41"	8.50"	6.09"	1.94"	3	KIT 6167		17NLS40-124A1 MXL
2.50" - 16	11.41"	8.50"	6.09"	1.94"	3	KIT 6167		17NLS40-82DC
2.50" - 16	11.69"	9.25"	6.09"	1.94"	3	KIT 6167	30°	17N-3-2651X MXL
2.50" - 16	11.97"	9.06"	6.09"	1.94"	3	KIT 6167		17NLS40-121A1MXL
2.50" - 16	11.72"	8.50"	6.09"	1.94"	3	KIT 6167		17N-3-2571X MXL
2.50" - 16	12.72"	9.63"	6.09"	1.94"	3	KIT 6167	45°	17N-3-2401X MXL
18N SERIES U-JOINT KIT: M281X								
3.00" - 16	8.94"	7.97"	7.55"	1.94"	3	KIT 6168	30°	18N-3-1431X MXL
3.00" - 16	10.25"	7.94"	7.55"	1.94"	3	KIT 6168	30°	18N-3-1351X MXL
3.00" - 16	11.88"	9.56"	7.55"	1.94"	3	KIT 6168	30°	18N-3-1371X MXL
176N SERIES U-JOINT KIT: M407X								
2.50" - 16	9.25"	7.88"	7.00"	1.94"	3	KIT 6167	30°	176N-3-41X MXL
2.50" - 16	11.16"	9.25"	7.00"	1.94"	3	KIT 6167	30°	176N-3-21X MXL

SLIP YOKES — WING BEARINGS



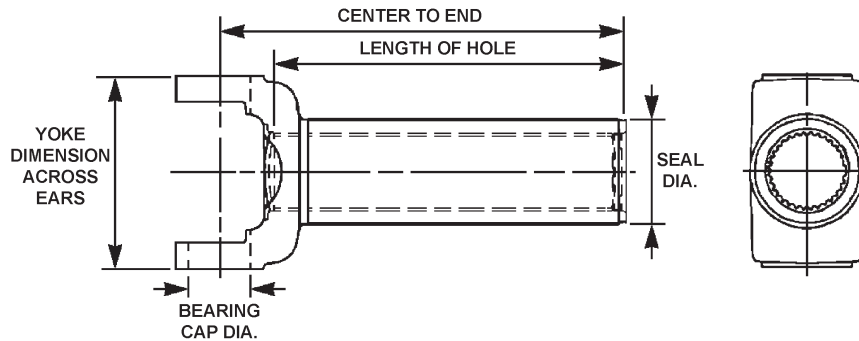
Spline Size	Face to End	Length of Hole	Pilot Diameter	Slot Width	Dust Cap Style	Related Dust Cap Group	Kit Mtg. Holes	Part Number
58WB SERIES		U-JOINT KIT: CP58WB-DWT, CP58WB-HB, CP58WB-HWD or PERMALUBE						
1.75" - 16	6.75"	5.50"	5.31"	0.63"	3 Threaded	SERUR25-4	.47" - DR	58WBLS28-41A
1.75" - 16	8.75"	7.50"	5.31"	0.63"	3 Threaded	SERUR25-4	.47" - DR	58WBLS28-42A
62N SERIES		U-JOINT KIT: CP62N-DWT, CP62N-HB, CP62N-HWD or PERMALUBE						
1.75" - 10	5.63"	5.00"	5.53"	.56"	1	DC62N-1	.38" - 24TH	62NLS28-43DC
1.75" - 10	7.38"	6.44"	5.53"	.56"	2	DC62N	.41" - DR	62NLS28-3DC
1.75" - 16	6.38"	5.50"	5.53"	.56"	3 Threaded	SERUR22-4	.41" - DR	62NLS28-82A
1.75" - 16	9.50"	8.00"	5.53"	.56"	3 Threaded	SERUR22-4	.41" - DR	62NLS28-2A
72N SERIES		U-JOINT KIT: CP72N-DWT, CP72N-HB, CP72N-HWD or PERMALUBE						
2.00" - 10	7.44"	6.50"	5.84"	.63"	3 Threaded	SERUR25-1	.50" - 20TH	72NLS32-1DC
2.00" - 16	7.06"	6.06"	5.84"	.63"	3 Threaded	SERUR25-1	.47" - DR	72NLS32-142A
2.00" - 16	10.88"	9.25"	5.84"	.63"	3 Threaded	SERUR25-1	.47" - DR	72NLS32-20DC
82N SERIES		U-JOINT KIT: CP82N-DWT, CP82N-HB, CP82N-HWD or PERMALUBE						
2.50" - 16	8.56"	7.56"	8.13"	.63"	3 Threaded	SERUR33-4	.47" - DR	82NLS40-83A
2.50" - 16	9.75"	8.63"	8.13"	.63"	3 Threaded	SERUR33-4	.47" - DR	82NLS40-85A
92N SERIES		U-JOINT KIT: CP92N-DWT, CP92N-HB, CP92N-HWD or PERMALUBE						
3.00" - 10	6.75"	5.50"	8.25"	.63"	1	DC92N	.50" - 20TH	92NLS48-3DC
3.00" - 16	9.63"	8.50"	8.25"	.63"	3 Threaded	SERUR40-3	.50" - 20TH	92NLS48-47DC
3.00" - 16	10.63"	9.50"	8.25"	.63"	3 Threaded	SERUR40-3	.53" - DR	92NLS48-66A

TRANSMISSION SLIP YOKES — OUTSIDE SNAP RINGS



Center to End	Length of Hole	Yoke Dimension Across Ears	Bearing Cap Diameter	Seal Diameter	Joint Angle	Spline Length	Part Number
121N SERIES		0.998" - 20 SPLINE (Based on 22 Involute Spline)			U-JOINT KIT: CP443X		
6.00"	4.73"	2.69"	1.06"	1.38"	20°	CB	121N-3-686X
121N SERIES		1.005" - 22 SPLINE (Based on 24 Involute Spline)			U-JOINT KIT: CP443X		
4.75"	3.48"	2.69"	1.06"	1.38"	20°	CB	121N-3-1224-1X
6.00"	4.73"	2.69"	1.06"	1.38"	20°	CB	121N-3-1224X
121N SERIES		1.102" - 21 SPLINE (Involute Spline)			U-JOINT KIT: CP443X		
6.00"	4.73"	2.69"	1.06"	1.50"	20°	FS	121N-3-2321X

TRANSMISSION SLIP YOKES — INSIDE SNAP RINGS



Center to End	Length of Hole	Yoke Dimension Across Ears	Bearing Cap Diameter	Seal Diameter	Spline Length	Part Number
3R SERIES		1.17" - 26 SPLINE (Based on 27 Involute Spline)			U-JOINT KIT: CP3147X	
5.47"	4.59"	2.56"	1.13"	1.50"	FS	R3R-3-6081X
3R SERIES		1.39" - 31 SPLINE (Based on 32 Involute Spline)			U-JOINT KIT: CP3147X	
7.50"	6.50"	2.56"	1.13"	1.88"	CB	R3R-3-9131X
7.50"	6.50"	2.56"	1.13"	1.88"	FS	R3R-3-9161X
8.06"	6.70"	2.56"	1.13"	1.88"	FS	R3R-3-9101X

Spline Length: CB - Counterbore in end of barrel. FS - Fully Splined

SECTION 3

INDEX

End Yokes - Full Round

Page

ROUND BEARINGS

131N Series	3-1
16N Series	3-3
17N Series	3-4
176N Series	3-10
18N Series	3-12

ROUND BEARINGS STRAIGHT ROUND HOLE

131N Series	3-14
-------------------	------

RPL SERIES

20R	3-22
25R	3-24

WING BEARINGS

58WB Series	3-14
62N Series	3-15
72N Series	3-17
82N Series	3-20
92N Series	3-20

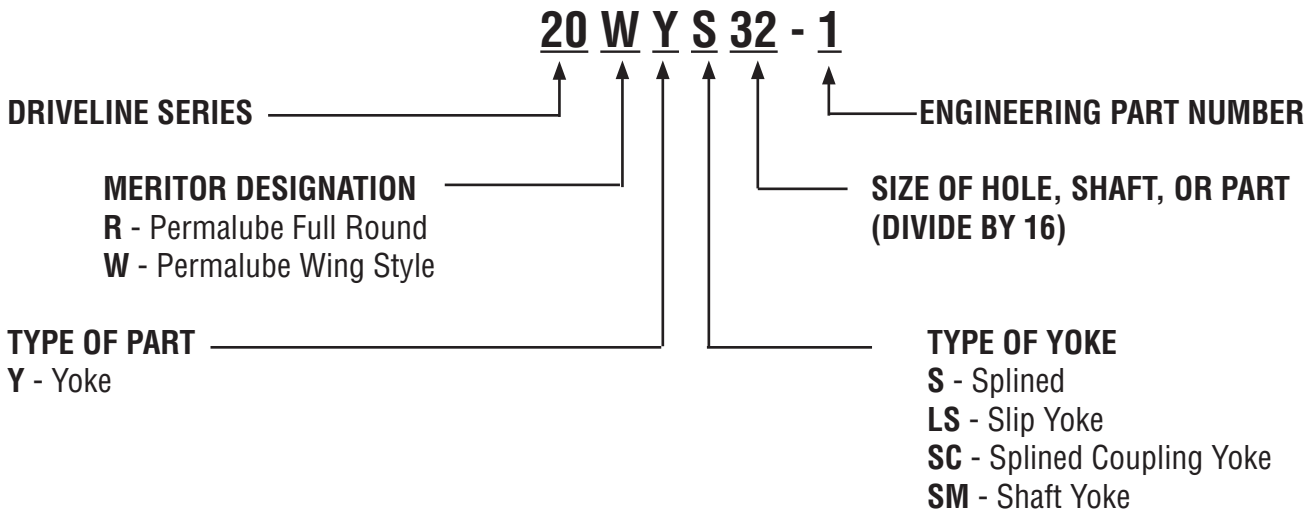
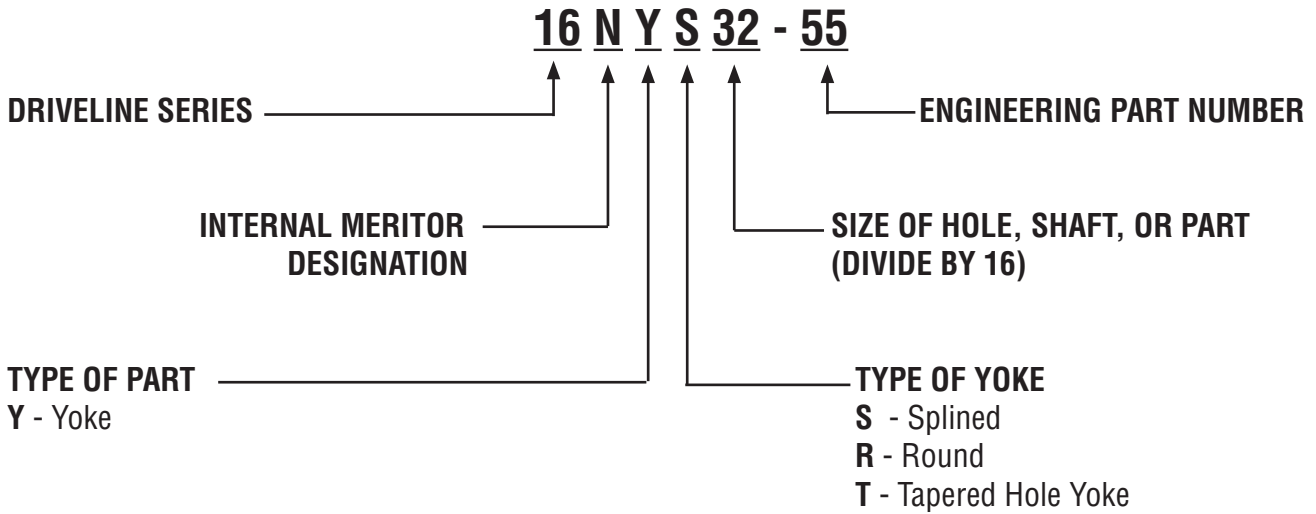
WING BEARINGS STRAIGHT ROUND HOLE

58WB SERIES	3-22
72N SERIES	3-22
92N SERIES	3-22

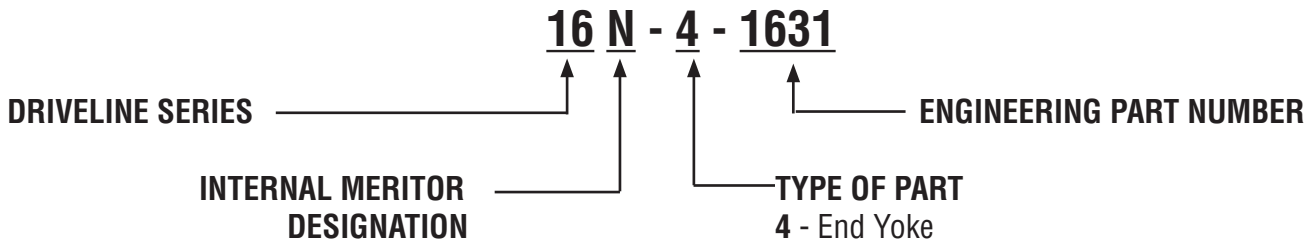
MERITOR NUMBERING SYSTEM

Meritor components may be identified by one of the numbering systems shown below. Aftermarket numbers are issued to make Meritor components easy to select when choosing a replacement component.

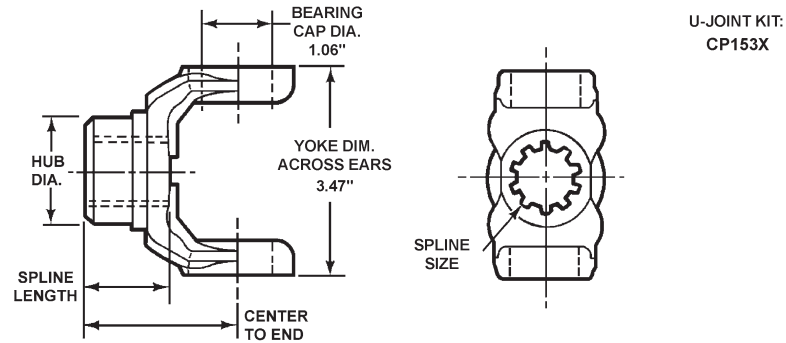
MERITOR ENGINEERING NUMBER



MERITOR AFTERMARKET NUMBER

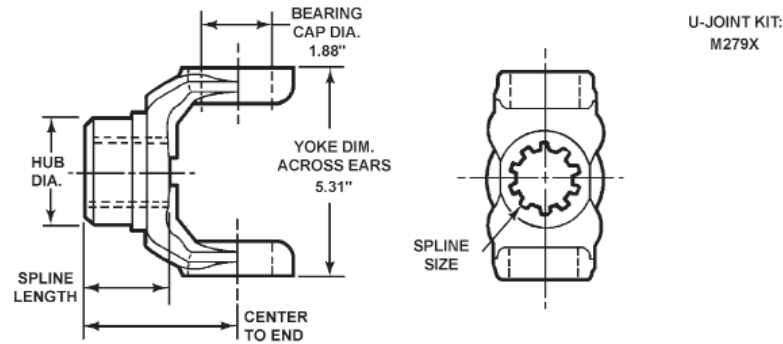


ROUND BEARINGS — 131N SERIES



Center to End	Spline Length	Hub Diameter	Joint Angle	Deflector	Part Number
.88" - 13 SPLINE					
2.56"	1.57"	2.00"			131N-4-3331 ¹³

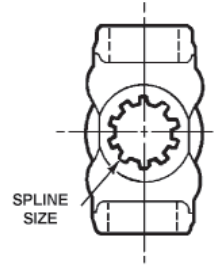
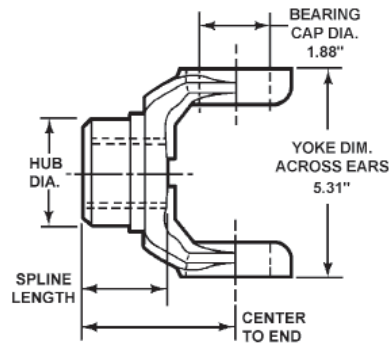
ROUND BEARINGS — 16N SERIES



Center to End	Spline Length	Hub Diameter	Joint Angle	Deflector	Part Number
1.75" - 10 SPLINE					
4.12"	2.25"	2.19"	24°		16N-4-1721
4.12"	2.25"	2.50"	23°		16N-4-1051
4.12"	2.25"	2.62"	24°		16N-4-781
4.75"	2.25"	2.62"	29.5°		16N-4-2081
4.75"	2.00"	2.62"	29.5°	DEFR43-2	16NYS28-4A
4.75"	2.25"	2.75"	32°		16N-4-1931
4.75"	2.25"	2.75"	32°	DEFR47-6	16N-4-3601X
5.00"	2.25"	2.75"	32°		16N-4-3621
5.34"	2.25"	2.62"	36°		16N-4-4571
5.41"	2.25"	2.75"	28°		16N-4-4481
6.00"	2.25"	2.62"	45°	DEFR42-1	16N-4-4761X
6.00"	2.25"	2.75"	45°		16N-4-3861
6.00"	2.25"	2.75"	45°	DEFR47-6	16N-4-4441X
6.00"	2.25"	2.75"	45°	DEFR47-4	16N-4-4451X
1.75" - 34 SPLINE					
4.88"	2.25"	2.50"		DEFR40-4	16N-4-5621X
4.88"	2.25"	2.50"	32°		16N-4-5571
5.44"	1.75"	2.38"	35°	DEFR47-7	16N-4-5081X
5.44"	2.25"	2.50"	30°		16N-4-6261

13 .375" diameter set screw. Hub not ground.

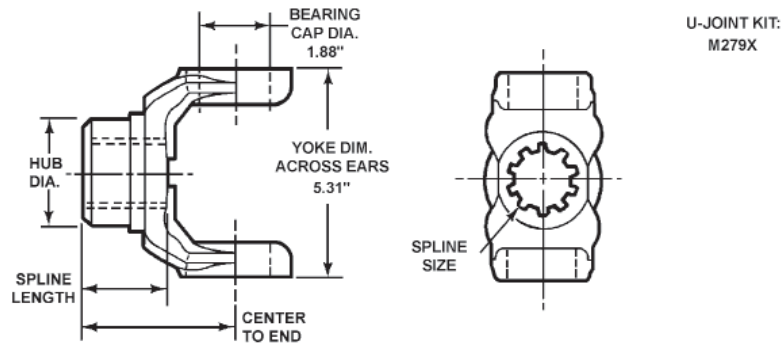
ROUND BEARINGS — 16N SERIES



U-JOINT KIT:
M279X

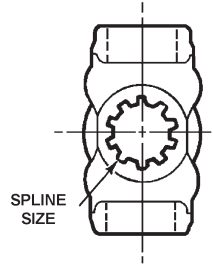
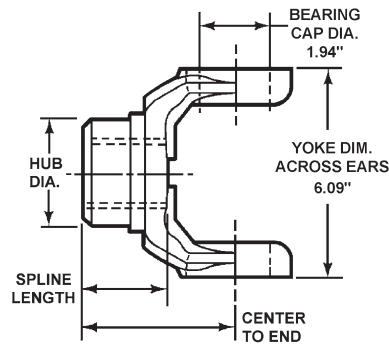
Center to End	Spline Length	Hub Diameter	Joint Angle	Deflector	Part Number
1.75" - 34 SPLINE					
6.03"	2.25"	2.50"	45°		16N-4-6251
1.77" - 45 SPLINE					
5.36"	2.25"	2.51"	43°	DEFR47-3	16NYS28-64A
1.78" - 34 SPLINE					
4.94"	2.43"	2.62"	27°		16NYS28-60
1.88" - 10 SPLINE					
4.56"	2.38"	2.75"			16NYS30A
5.00"	2.38"	2.75"	32°		16N-4-2501
1.97" - 10 SPLINE					
5.12"	2.62"	2.75"	32°		16N-4-3681
5.12"	2.62"	2.75"	32°	DEFR47-2	16N-4-5281X
5.22"	2.00"	2.50"	35°		16N-4-4551
5.31"	2.25"	2.62"	32°		16N-4-4471
5.38"	2.25"	3.00"	32°		16N-4-4541
2.00" - 10 SPLINE					
5.19"	2.56"	2.94"	32°		16N-4-1631
2.00" - 16 SPLINE					
4.94"	2.38"	3.25"	27°		16NYS32-47
2.00" - 30 SPLINE					
6.00"	2.69"	3.00"	45°		16N-4-5721
2.00" - 38 SPLINE					
4.00"	2.13"	2.75"			16N-4-6321
2.00" - 39 SPLINE					
4.50"	2.00"	2.75"			16NYS32-43
4.72"	2.25"	2.62"	23°		16NYS32-74
4.72"	2.25"	2.62"	23°	DEFR44-11	16NYS32-74A
5.12"	2.44"	2.75"		DEFR47-13	16N-4-6951X
5.31"	2.25"	2.62"	35°		16N-4-5981
5.31"	2.25"	2.62"	35°	DEFR44-11	16N-4-5991X
5.54"	2.31"	3.00"	27°	DEFR50-19	16NYS32-32A3
5.54"	2.31"	3.00"	30°		16N-4-6271
5.54"	2.31"	3.00"	30°	DEFR50-7	16N-4-6281X

ROUND BEARINGS — 16N SERIES



Center to End	Spline Length	Hub Diameter	Joint Angle	Deflector	Part Number
2.00" - 39 SPLINE					
5.94"	2.44"	2.75"		DEFR47-13	16N-4-6961X
5.94"	2.44"	2.75"	45°		16N-4-5441
6.22"	2.31"	3.00"	45°		16N-4-6241
6.22"	2.31"	3.00"	45°	DEFR59-1	16N-4-6291X
6.25"	2.44"	2.75"	45°		16N-4-5461
2.03" - 10 SPLINE					
4.50"	2.00"	2.75"	32°		16N-4-4401
2.13" - 32 SPLINE					
5.38"	2.25"	3.00"	36°		16N-4-5751
6.00"	2.25"	3.00"	33°		16N-4-5731
2.14" - 41 SPLINE					
2.18"	4.85"	3.00"	27°	DEFR50-7	16NYS34-23A
2.16" - 16 SPLINE					
6.25"	3.00"	2.94"	29°		16N-4-5031
2.23" - 6 SPLINE					
5.72"	3.25"	3.00"	25°		16NYS36-7
2.25" - 10 SPLINE					
5.50"	3.00"	3.50"	32°		16N-4-3321
5.63"	3.00"	3.00"			16N-4-6891X
2.38" - 36 SPLINE					
5.16"	2.69"	3.00"	27°		16N-4-5631
6.00"	2.69"	3.00"	45°		16N-4-5741
2.38" - 46 SPLINE					
4.94"	2.32"	3.25"			16NYS38-8A
5.50"	2.88"	3.25"	22°	DEFR54-5	16NYS38-11A
6.19"	2.33"	3.25"	42°		16NYS38-12
6.19"	2.32"	3.25"	42°	DEFR56-7	16NYS38-12A

ROUND BEARINGS — 17N SERIES



U-JOINT KIT:
M280X

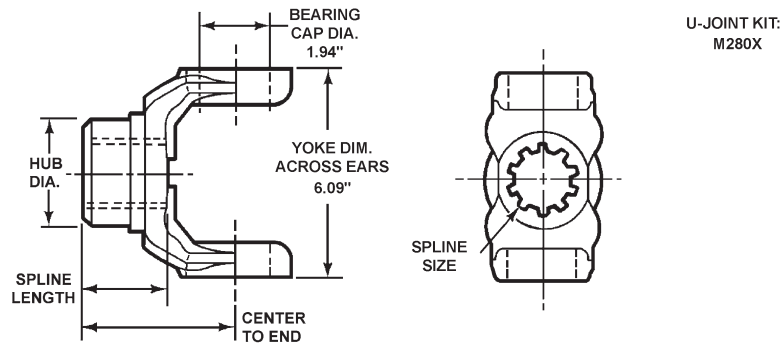
Center to End	Spline Length	Hub Diameter	Joint Angle	Deflector	Part Number
1.63" - 10 SPLINE					
4.73"	2.13"	2.38"			17NYS26
1.75" - 10 SPLINE					
4.88"	2.25"	2.75"	30°		17N-4-2381
4.88"	2.25"	2.75"	30°		17NYS28-11 ¹
5.25"	2.25"	2.62"	30°		17N-4-3391
5.25"	2.25"	2.62"	30°	DEFR42-1	17N-4-4301X
6.12"	2.25"	2.62"	45°		17N-4-4141
6.12"	2.25"	2.62"	45°	DEFR42-1	17N-4-4861X
6.25"	2.25"	2.75"		DEFR47-4	17N-4-4831X
6.25"	2.25"	2.75"	45°		17N-4-4091
1.75" - 34 SPLINE					
4.88"	2.25"	2.50"		DEFR40-4	17NYS28-43A
4.88"	2.25"	2.50"	30°	DEFR47-7	17N-4-5131X
4.88"	2.25"	2.50"	30°		17N-4-6331
5.44"	2.44"	2.62"		DEFR44-10	17NYS28-66A
5.97"	2.25"	2.50"	45°	DEFR47-7	17N-4-5111X
5.97"	2.25"	2.50"	45°		17N-4-6321
1.78" - 34 SPLINE					
5.44"	2.44"	2.62"	33.5°		17N-4-6481
6.31"	2.44"	2.62"	45°		17N-4-6451
7.19"	2.75"	2.56"	33°		17N-4-5031
7.19"	2.75"	2.56"	33°		17N-4-5041X ²
1.79" - 34 SPLINE					
6.31"	2.44"	2.63"		DEFR44-10	17N-4-8521X ⁶
1.88" - 10 SPLINE					
4.50"	2.38"	2.75"	22°		17N-4-2271
5.38"	2.38"	2.75"			17NYS30
5.38"	2.38"	2.75"	30°		17N-4-3361
1.94" - 10 SPLINE					
4.56"	2.25"	3.00"	22°		17N-4-3291
1.94" - 30 SPLINE					
4.56"	2.25"	3.00"	20°		17N-4-4371

¹ Deflector diameter is 2.953 in.

² Includes washer.

⁶ High Angle Yoke.

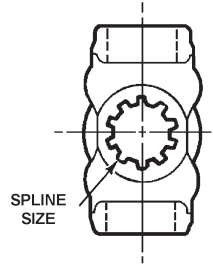
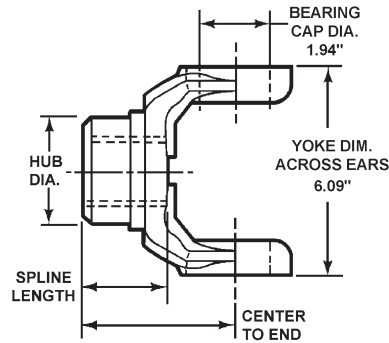
ROUND BEARINGS — 17N SERIES



Center to End	Spline Length	Hub Diameter	Joint Angle	Deflector	Part Number
1.97" - 10 SPLINE					
4.50"	2.25"	2.62"	24.5°		17N-4-4721
4.50"	2.25"	2.62"	24.5°	DEFR56-1	17N-4-4731X
4.50"	2.25"	2.62"	45°		17N-4-2211
4.81"	2.62"	2.75"	26°		17N-4-2161
4.81"	2.62"	2.75"	26°	DEFR47-2	17N-4-4181X
5.00"	3.00"	2.44", 2.81", 3.38"	26°		17N-4-1981 ³
5.00"	2.00"	2.50"	30°		17N-4-3721
5.00"	2.00"	2.62"	30°		17N-4-2391
5.25"	2.25"	2.62"	32°		17N-4-5141
5.25"	2.25"	2.62"	32°	DEFR42-1	17N-4-5151X
5.25"	2.62"	2.75"	30°		17N-4-3221
5.25"	2.62"	2.75"	30°	DEFR47-2	17N-4-4361X
6.12"	2.25"	2.62"	45°		17N-4-4151
6.12"	2.25"	2.62"	45°	DEFR42-1	17N-4-4851X
6.50"	2.62"	2.75"	45°		17N-4-4131
6.50"	2.62"	2.75"	45°	DEFR47-2	17N-4-4481X
1.99" - 30 SPLINE					
6.28"	2.70"	3.00"		DEFR48-6	17N-4-7231X ⁶
2.00" - 10 SPLINE					
4.81"	3.00"	3.25"	26°		17N-4-2131
4.81"	3.00"	3.25"	26°		17N-4-3171
5.00"	2.00"	2.75"	33°		17N-4-2371
5.19"	2.56"	2.75"	30°		17N-4-3271
5.19"	2.56"	2.75"	30°	DEFR47-6	17N-4-4391X
5.19"	2.56"	2.94"	30°		17N-4-3241
5.19"	2.56"	2.94"	30°	DEFR47-3	17N-4-4291X
5.19"	2.56"	2.94"	30°	DEFR47-12	17N-4-4741X
5.25"	3.00"	2.75"	26°		17N-4-2361
5.63"	3.00"	2.94"	30°		17N-4-2191
2.00" - 30 SPLINE					
6.11"	2.69"	3.00"	45°		17N-4-5781
2.00" - 38 SPLINE					
5.00"	3.00"	2.81"	25°		17N-4-7141

³ Center Bearing yoke.
⁶ High Angle Yoke.

ROUND BEARINGS — 17N SERIES

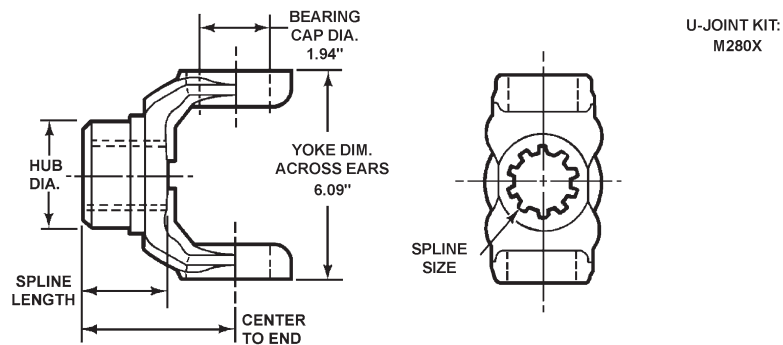


U-JOINT KIT:
M280X

Center to End	Spline Length	Hub Diameter	Joint Angle	Deflector	Part Number
2.00" - 39 SPLINE					
4.81"	2.44"	2.75"	26°		17N-4-5541
4.81"	2.44"	2.75"	26°	DEFR47-13	17N-4-6941X
5.00"	2.00"	2.75"	30°		17NYS32-60
5.16"	2.31"	3.00"			17NYS32-100
5.16"	2.31"	3.00"		DEFR59-1	17NYS32-100A
5.16"	2.31"	3.00"	30°	DEFR59-2	17N-4-6411X
5.16"	2.31"	3.00"	30°	DEFR59-1	17N-4-6421X
5.16"	2.31"	3.00"	32°	DEFR59-2	17NYS32-100A1
5.16"	2.31"	3.00"	32°	DEFR59-5	17NYS32-100A2
5.25"	2.25"	2.62"		DEFR44-11	17N-4-8531X
5.25"	2.50"	2.62"		DEFR44-13	17N-4-9041X
5.25"	2.25"	2.62"	33°		17N-4-5991
5.25"	2.28"	3.00"	32°	DEFR50-24	17N-4-9031X
5.25"	2.44"	2.75"	30°		17N-4-5521
5.25"	2.44"	2.75"	30°	DEFR47-13	17N-4-6951X
5.25"	2.44"	2.75"	30°	DEFR47-5	17NYS32-41A1
5.25"	2.44"	2.75"	32°	DEFR47-4	17NYS32-41A2
6.12"	2.50"	2.62"		DEFR44-13	17NYS32-91A
6.12"	2.25"	2.62"	45°		17N-4-6011
6.12"	2.25"	2.62"	45°	DEFR44-11	17N-4-6021X
6.25"	2.31"	3.00"	45°	DEFR50-7	17N-4-6391X
6.25"	2.31"	3.00"	45°		17NYS32-99
6.25"	2.31"	3.00"	45°	DEFR59-1	17NYS32-99A
6.25"	2.31"	3.00"	45°	DEFR59-5	17NYS32-99A3
6.50"	2.44"	2.75"	30°		17N-4-5501
6.50"	2.44"	2.75"	30°	DEFR47-13	17N-4-6871X
6.50"	2.44"	2.75"	30°	DEFR47-4	17NYS32-40A1
2.02" - 39 SPLINE					
5.25 in	2.50"	2.63"		DEFR44-13	17N-4-9041X
6.13"	2.50"	2.63"		DEFR44-13	17N-4-9001X
2.03" - 10 SPLINE					
5.00"	2.00"	2.75"	25°		17N-4-3791
2.11" - 32 SPLINE					
6.25"	2.25"	3.00"		DEFR48-6	17N-4-7171X ⁶

⁶ High Angle Yoke.

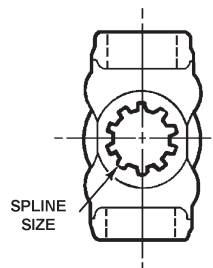
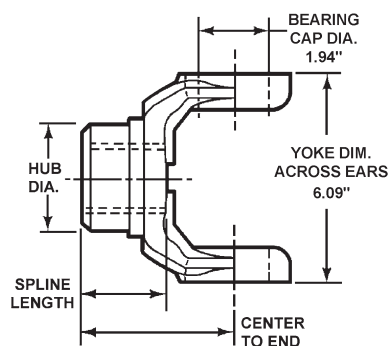
ROUND BEARINGS — 17N SERIES



Center to End	Spline Length	Hub Diameter	Joint Angle	Deflector	Part Number
2.13" - 32 SPLINE					
4.56"	2.25"	3.00"			17NYS34-15
5.00"	2.25"	3.00"	26°		17N-4-5821
6.25"	2.25"	3.00"	45°		17N-4-5791
6.25"	2.25"	3.00"	45°	DEFR54-1	17NYS34-9A
2.13" - 41 SPLINE					
5.16"	2.31"	2.94"	31°		17NYS34-20
5.16"	2.31"	2.94"	31°	DEFR47-16	17NYS34-20A
5.35"	2.50"	2.94"		2297-K-6303	17NYS34-29A
5.35"	2.50"	2.94"	31°		17NYS34-29
6.12"	2.50"	2.94"	42.5°		17NYS34-19
6.12"	2.50"	2.94"	42.5°	DEFR48-15	17NYS34-19A1
6.63"	3.00"	2.94"			17N-4-7541
6.63"	3.00"	2.94"		DEFR48-17	17NYS34-18A1
6.63"	3.00"	2.94"	42.5°		17NYS34-18
2.14" - 41 SPLINE					
6.13"	2.50"	2.94"		DEFR48-2	17N-4-7561X ⁶
2.16" - 16 SPLINE					
5.19"	2.50"	2.94"	26°		17N-4-4961
5.19"	2.50"	2.94"	26°	DEFR48-5	17N-4-5061X
5.50"	3.00"	2.94"		DEFR48-2	17N-4-4171X
5.50"	3.00"	2.94"	23.5°		17N-4-2181
6.31"	3.00"	2.94"	45°		17NYS34-5
6.63"	3.00"	2.94"	40°		17N-4-4591
6.63"	3.00"	2.94"	40°	DEFR48-2	17N-4-5481X
2.22" - 6 SPLINE					
5.31"	3.25"	3.00"	26°		17N-4-3031
5.31"	3.25"	3.00"	26°	DEFR49-1	17N-4-3041X

⁶ High Angle Yoke.

ROUND BEARINGS — 17N SERIES

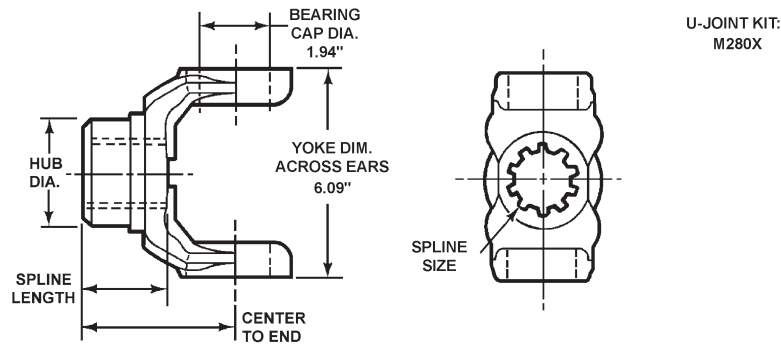


U-JOINT KIT:
M280X

Center to End	Spline Length	Hub Diameter	Joint Angle	Deflector	Part Number
2.25" - 6 SPLINE					
5.25"	2.25"	3.25"	30°		17N-4-3501
2.25" - 10 SPLINE					
5.25"	2.88"	3.00"	26°		17N-4-2511
5.25"	2.94"	3.13"	26°		17N-4-2151
5.25"	2.25"	3.13"	30°		17N-4-2441
5.25"	3.00"	3.25"	22°		17N-4-2501
5.25"	2.25"	3.25"	30°		17N-4-1971
5.25"	3.00"	3.50"	22°		17N-4-2141
6.06"	3.00"	3.00"	32°		17N-4-1991
6.06"	3.00"	3.00"	32°	DEFR50-2	17N-4-4411X
7.19"	3.00"	3.00"		DEFR50-2	17N-4-6891X
5.19"	2.50"	2.94"	26°	DEFR48-5	17N-4-5061X
5.50"	3.00"	2.94"		DEFR48-2	17N-4-4171X
5.50"	3.00"	2.94"	23.5°		17N-4-2181
6.31"	3.00"	2.94"	45°		17NYS34-5
6.63"	3.00"	2.94"	40°		17N-4-4591
6.63"	3.00"	2.94"	40°	DEFR48-2	17N-4-5481X
2.28" - 44 SPLINE					
5.19"	2.50"	2.94"		DEFR48-10	17N-4-8551X
5.19"	2.50"	2.94"	26°		17N-4-6031
5.19"	2.50"	2.94"	26°	DEFR48-5	17N-4-6041X
5.19"	2.50"	2.94"	26°		17N-4-8461
5.19"	2.50"	3.00"		DEFR50-24	17NYS36-62A
2.34" - 16 SPLINE					
4.94"	2.75"	3.31"	26°		17N-4-4601 ³
4.94"	2.75"	3.31"	26°	DEFR55-1	17N-4-5071X
5.19"	2.75"	2.81"	21°		17N-4-5341
2.36" - 18 SPLINE					
5.75"	3.38"	3.50"	26°		17N-4-4561
2.36" - 36 SPLINE					
6.50"	2.69"	3.00"		DEFR48-6	17N-4-7241X ⁶
2.38" - 46 SPLINE					
5.44"	2.69"	3.00"	26°		17N-4-5711
6.50"	2.69"	3.00"	45°		17N-4-5801

³ Center Bearing yoke.
⁶ High Angle Yoke.

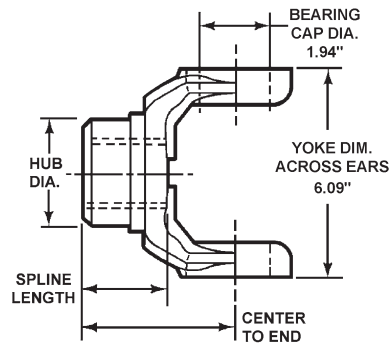
ROUND BEARINGS — 17N SERIES



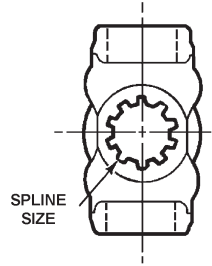
Center to End	Spline Length	Hub Diameter	Joint Angle	Deflector	Part Number
2.38" - 46 SPLINE					
4.88"	2.33"	3.25"	22°		17NYS38-61
4.88"	2.32"	3.25"	22°	DEFR56-7	17NYS38-61A
4.94"	2.41"	2.95", 3.75"	27°		17N-4-6601 ⁵
5.00"	1.95"	3.25"	32°		17NYS38-78
5.16"	2.41"	3.50"	22°		17N-4-5841
5.38"	2.33"	3.25"	31°		17N-4-7161
5.38"	2.32"	3.25"	31°	DEFR56-7	17N-4-7181X
5.38"	2.32"	3.25"	34°	DEFR56-12	17NYS38-32A2
5.69"	2.62"	3.25"	30°		17N-4-5451
5.69"	2.62"	3.25"	30°	DEFR54-1	17N-4-5461X
5.75"	3.38"	3.50"	26°		17N-4-4771
5.94"	2.88"	3.25"		DEFR54-5	17N-4-6961X
5.94"	2.88"	3.25"			17NYS38-31
5.94"	2.88"	3.25"	45°	DEFR54-1	17N-4-5961X
6.00"	3.20"	3.38"		DEFR55-3	17NYS38-44A1
6.19"	2.88"	3.25"		DEFR54-5	17NYS38-17A2
6.19"	2.88"	3.25"	45°		17NYS38-17
6.50"	2.33"	3.25"	45°		17NYS38-38
6.50"	2.32"	3.25"	45°	DEFR56-7	17N-4-7771X
6.93"	2.88"	3.25"	45°	DEFR54-5	17N-4-7851X
6.93"	2.88"	3.25"	45°		17NYS38-63
2.42" - 18 SPLINE					
5.81"	3.00"	3.38"	25°		17N-4-4581
2.50" - 10 SPLINE					
5.16"	2.39"	3.50"	22°		17N-4-4421
5.63"	3.00"	3.75"	30°		17N-4-3611
5.63"	3.00"	3.75"	30°	DEFR62-1	17N-4-6921X
2.53" - 16 SPLINE					
6.44"	2.75"	3.25"			17NYS40-106A
6.44"	2.75"	3.25"	40°		17NYS40-106
6.44"	2.75"	3.25"	40°	DEFR60-1	17NYS40-106A ⁶

⁵ Step hub diameter is 2.95 in./3.75 in.
⁶ High Angle Yoke.

ROUND BEARINGS — 17N SERIES

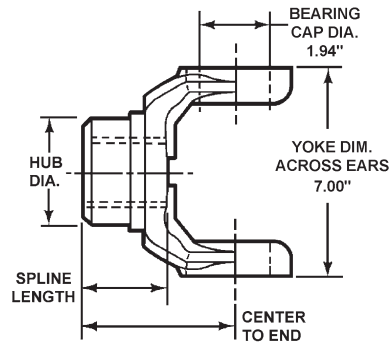


U-JOINT KIT:
M280X

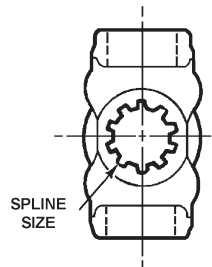


Center to End	Spline Length	Hub Diameter	Joint Angle	Deflector	Part Number
2.63" - 20 SPLINE					
5.19"	2.75"	3.00"		DEFR60-2	17N-4-7071X
5.19"	2.75"	3.75"	26°		17N-4-5351
2.75" - 10 SPLINE					
5.31"	2.94"	3.38"	20°		17N-4-4651 ⁴
5.75"	3.00"	3.50"	22°		17N-4-4551
5.75"	3.00"	3.75"	20.5°	DEFR65-1	17N-4-6841X
5.75"	3.00"	3.75"	22°		17N-4-6821
5.75"	3.00"	3.75"	22°	DEFR62-1	17N-4-6931X

ROUND BEARINGS — 176N SERIES



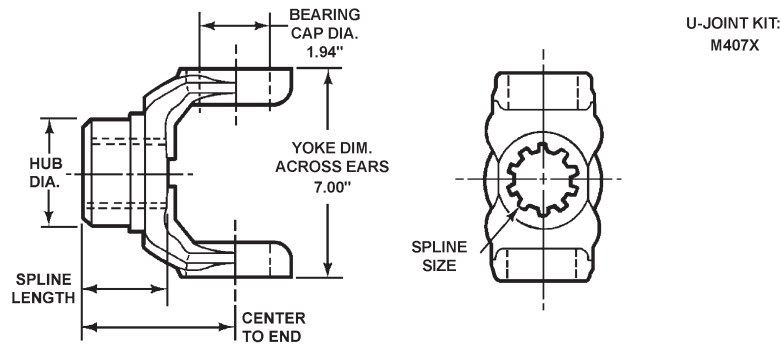
U-JOINT KIT:
M407X



Center to End	Spline Length	Hub Diameter	Joint Angle	Deflector	Part Number
2.00" - 10 SPLINE					
5.38"	2.56", 2.00"	2.94"	30°	DEFR47-9	176N-4-181X
5.38"	2.56", 2.00"	2.94"	30°		176N-4-71
2.00" - 39 SPLINE					
5.19"	2.31", 2.00"	3.00"			176NYS32-3A2
5.19"	2.31", 2.00"	3.00"	29°		176N-4-531
5.19"	2.31", 2.00"	3.00"	29°	DEFR56-2	176N-4-541X
5.19"	2.31", 2.00"	3.00"	32°		176NYS32-3
2.03" - 10 SPLINE					
5.00"	2.00", 2.03"	2.75"	30°		176N-4-421
2.13" - 16 SPLINE					
5.25"	2.50", 2.13"	2.94"	30°		176N-4-121
2.25" - 10 SPLINE					
5.25"	2.25"	3.12", 3.13"	30°		176N-4-411
5.84"	3.00"	3.00"			176N-4-731X

⁴ Keyway for speedometer gear on hub.

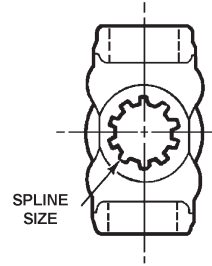
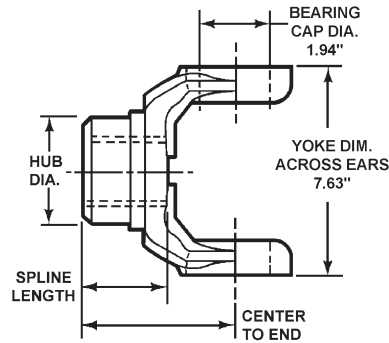
ROUND BEARINGS — 176N SERIES



Center to End	Spline Length	Hub Diameter	Joint Angle	Deflector	Part Number
2.28" – 44 SPLINE					
5.25"	2.50"	3.00"	30°		176N-4-1421
5.25"	2.50"	3.00"		DEFR48-10	176N-4-1481X
5.25"	2.50"	3.00"	30°		176N-4-321
5.25"	2.50"	3.00"		DEFR50-24	176N-4-5221X
2.34" – 16 SPLINE					
5.50"	2.75"	2.86"	30°		176N-4-161 ³
2.36" – 18 SPLINE					
6.12"	3.38"	3.50"	30°		176N-4-271
2.38" – 36 SPLINE					
5.44"	2.64"	3.00"	30°		176N-4-441
5.56"	2.69"	3.00"		DEFR48-7	176N-4-851X
2.38" – 46 SPLINE					
4.53"	2.75"	2.875"*	30°		176N-4-821
5.06"	2.33"	3.25"	29°		176NYS38-14
5.06"	2.32"	3.25"	29°	DEFR56-7	176N-4-1041X
5.38"	2.41"	3.50"	30°		176N-4-391
5.41"	2.41"	2.95"	30°		176NYS38-10
5.44"	2.62"	3.25"		DEFR54-1	176N-4-211X
5.44"	2.62"	3.25"			176NYS38-3
5.63"	2.88"	3.25"		DEFR54-5	176N-4-861X
5.63"	2.88"	3.25"		DEFR54-1	176NYS38-13A1
6.20"	3.20"	3.38"		DEFR55-2	176N-4-1161X
2.39" – 46 SPLINE					
6.00"	3.38"	3.50"			176N-4-381
2.41" – 44 SPLINE					
5.25"	2.50"	3.00"	30°	DEFR48-10	176N-4-331X
2.50" – 10 SPLINE					
5.41"	2.41"	3.50"	30°		176N-4-151
6.03"	3.00"	2.95", 3.75"	32°		176N-4-651 ⁵
6.03"	3.00"	3.75"	32°	DEFR62-1	176N-4-781X
2.75" – 10 SPLINE					
5.97"	3.00"	3.75"	30°		176N-4-11
5.97"	3.00"	3.75"	30°	DEFR62-1	176N-4-791X

3 Center Bearing Yoke.
5 Step hub diameter is 2.95 in./3.75 in.

ROUND BEARINGS — 18N SERIES



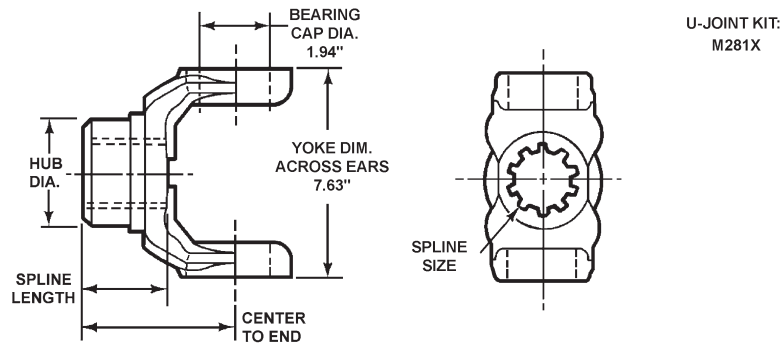
U-JOINT KIT:
M281X

Center to End	Spline Length	Hub Diameter	Joint Angle	Deflector	Part Number
1.94" - 30 SPLINE					
5.38"	2.25"	3.00"	30°		18N-4-2051
1.97" - 10 SPLINE					
5.38"	2.56"	2.94"	30°		18N-4-1921
5.38"	2.56"	2.94"	30°	DEFR47-3	18N-4-2341X
2.00" - 39 SPLINE					
5.19"	2.31"	3.00"			18NYS32-12A2*
5.19"	2.31"	3.00"	30°		18N-4-3371
5.19"	2.31"	3.00"	30°	DEFR56-2	18N-4-3381X
5.53"	2.44"	2.75"	30°		18N-4-2781
5.53"	2.44"	2.75"	30°	DEFR47-13	18N-4-3571X
2.13" - 41 SPLINE					
5.25"	2.50"	2.94"		DEFR48-15	18N-4-3691X
5.25"	2.50"	2.94"	30°	DEFR48-15	18N-4-4601X
5.81"	3.00"	2.94"		DEFR48-17	18NYS34-3A1
5.94"	2.50"	2.94"		2297-K-6303	18NYS34-5A
2.16" - 16 SPLINE					
5.25"	2.50"	2.94"	30°		18N-4-2441
5.25"	2.50"	2.94"	30°	DEFR55-1	18N-4-2451X
5.81"	3.00"	2.94"	30°		18N-4-2291
2.22" - 6 SPLINE					
6.00"	3.25"	3.00"	30°		18N-4-1971
6.00"	3.25"	3.00"	30°	DEFR49-1	18N-4-2271X
2.25" - 10 SPLINE					
5.84"	3.00"	3.00"	30°		18N-4-1911
5.85"	3.00"	3.00"	30°	DEFR50-2	18N-4-2551X
2.27" - 44 SPLINE					
5.25"	2.50"	2.94"		DEFR48-10	18N-4-4351X
2.28" - 44 SPLINE					
5.25"	2.50"	2.94"	30°		18N-4-3271
5.25"	2.50"	2.94"	30°	DEFR48-10	18N-4-3281X
5.25"	2.50"	3.00"		DEFR50-24	18NYS36-20A
5.75"	2.80"	2.94"	26°		18NYS36-17
2.34" - 16 SPLINE					
5.50"	2.75"	3.31"	30°		18N-4-1891 ³
5.50"	2.75"	3.31"	30°	DEFR48-5	18N-4-2531X

³ Center Bearing Yoke.

*Includes washer

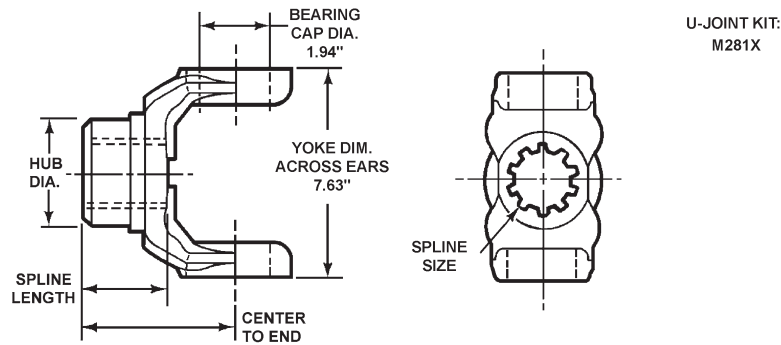
ROUND BEARINGS — 18N SERIES



Center to End	Spline Length	Hub Diameter	Joint Angle	Deflector	Part Number
2.34" - 16 SPLINE					
5.63"	2.75"	2.81"			18N-4-1981
2.36" - 18 SPLINE					
6.12"	3.38"	3.50"	30°		18N-4-2581
2.38" - 36 SPLINE					
5.44"	2.69"	3.00"	30°		18N-4-3161
5.44"	2.69"	3.00"	30°	DEFR54-1	18NYS38-6A
2.38" - 46 SPLINE					
5.16"	2.32"	3.25"	30°	DEFR56-7	18N-4-3731X
5.16"	2.32"	3.25"	30°		18NYS38-27
5.16"	2.32"	3.25"	30°	DEFR56-10	18NYS38-27A1
5.16"	2.32"	3.25"	30°	DEFR56-12	18NYS38-27A2
5.16"	2.32"	3.25"	30°	DEFR56-15	18NYS38-27A5
5.22"	2.41"	2.95"	30°		18NYS38-15
5.41"	2.41"	3.50"	30°		18N-4-3251
5.44"	2.62"	3.25"	30°		18N-4-2701
5.44"	2.62"	3.25"	30°	DEFR54-1	18N-4-2711X
5.50"	2.75"	3.31"			18N-4-3591
5.69"	2.88"	3.25"		DEFR54-5	18N-4-3581X
5.69"	2.88"	3.25"	30°		18N-4-3201
5.69"	2.88"	3.25"	30°	DEFR54-1	18N-4-3221X
6.00"	3.20"	3.38"	30°	DEFR55-2	18N-4-3921X
6.00"	3.19"	3.38"	30°		18NYS38-21
6.01"	3.20"	3.38"		DEFR55-3	18N-4-4611X
2.42" - 18 SPLINE					
5.81"	3.00"	3.38"	30°		18N-4-1991
5.81"	3.00"	3.38"	30°	DEFR55-2	18N-4-2361X
2.50" - 10 SPLINE					
5.41"	2.41"	3.50"	30°		18NYS40-5
5.88"	3.00"	2.94"	30°		18N-4-1961
5.88"	3.00"	2.94"	30°		18N-4-3451
5.88"	3.00"	3.75"	30°	DEFR62-1	18N-4-3551X
2.63" - 20 SPLINE					
5.50"	2.75"	3.00"	30°		18N-4-2011
5.56"	2.75"	3.00"	30°		18N-4-3021

4 Keyway for speedometer gear on hub.

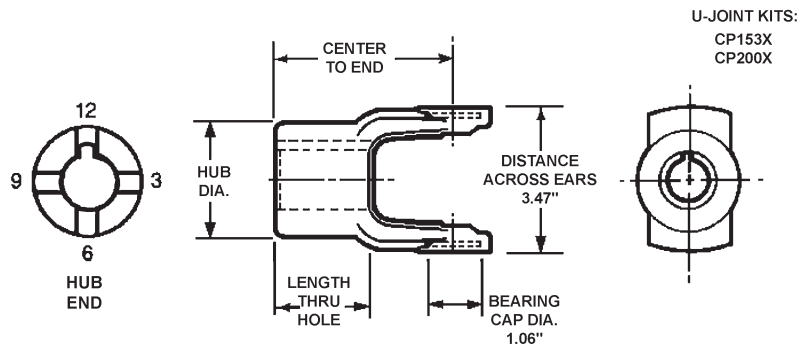
ROUND BEARINGS — 18N SERIES



2.75" - 10 SPLINE

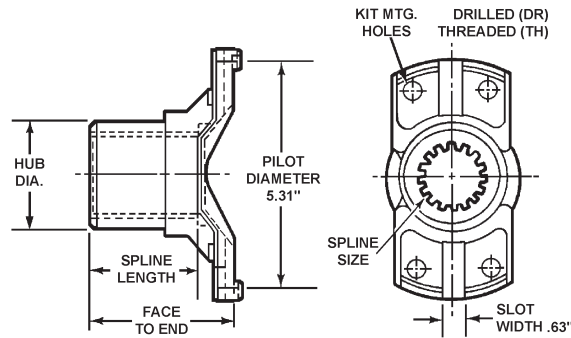
6.00"	2.94"	3.38"	30°	18N-4-2171 ⁴
6.06"	3.00"	3.75"	26°	18NYS44-3

ROUND BEARINGS STRAIGHT ROUND HOLE



Major Diameter	Keyway Width	Center to End	Length thru Hole	Hub Diameter	Set Screw Size -Location	Joint Angle	Part Number
131N SERIES							
1.50"	.38"	2.56"		2.13"	.38" - 6		131N-4-1233
1.00"	0.25"	2.56"	1.63"	2.00"	.38" - 6	17°	131N-4-473
1.13"	0.25"	2.56"	1.63"	2.00"	.38" - 6	17°	131N-4-503
1.25"	0.31"	2.56"	1.63"	2.00"	.38" - 6	17°	131N-4-533
1.25"	.25"	2.56"		2.13"	.38" - 6		131N-4-573
.88"	.25"	2.56"		2.13"	.38" - 6		131N-4-583
1.25"	.31"	2.94"		2.12"	.38" - 6		131N-4-783
1.38"	.38"	2.56"		2.00"	.38" - 6		131N-4-803

WING BEARINGS — 58WB SERIES

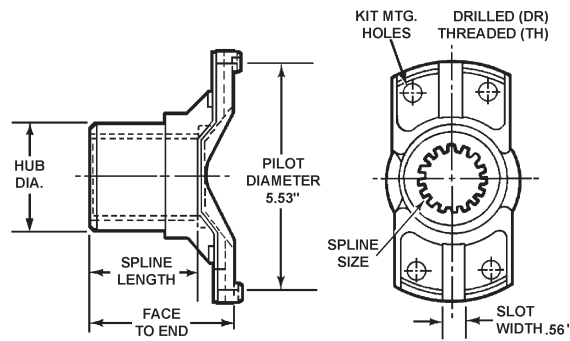


U-JOINT KITS:
 CP58WB-DWT
 CP58WB-HB
 CP58WB-HWD
 PERMALUBE

Face to End	Spline Length	Hub Diameter	Kit Mtg. Holes	Deflector	Part Number
1.44" - 21 SPLINE					
2.94"	2.28"	2.13"			58WBYS22-3
1.59" - 18 SPLINE					
3.69"	2.06"	2.75"	TH		58WBYS25-8
1.75" - 10 SPLINE					
3.81"	2.19"	2.90"	TH		58WBYS28-6³
3.88"	2.25"	2.50"	TH		58WBYS28-82
3.88"	2.25"	2.62"	DR		58WBYS28-51⁸
3.88"	2.25"	2.62"	TH		58WBYS28-1
3.88"	2.25"	2.62"	TH		58WBYS28-14
1.75" - 27 SPLINE					
3.69"	2.00"	2.62"	TH		58WBYS28-145
3.69"	2.13"	2.69"			58WBYS28-172
1.75" - 34 SPLINE					
3.88"	2.25"	2.50"	TH	DEFR40-4	58WBYS28-186A
1.88" - 10 SPLINE					
4.00"	2.38"	2.75"	DR		58WBYS30
1.97" - 6 SPLINE					
3.94"	3.00"	2.75"	TH		58WBYS31-13
1.97" - 10 SPLINE					
3.88"	2.25"	2.62"	DR		58WBYS31-21
2.16" - 16 SPLINE					
4.56"	2.88"	2.94"	DR		58WBYS34-7

3 Center Bearing yoke.
 8 Nut seat is 2.50 in.

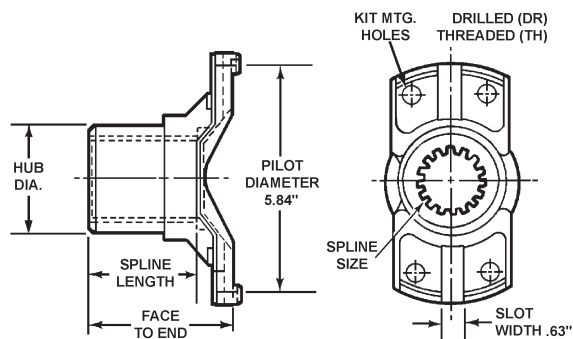
WING BEARINGS — 62N SERIES



U-JOINT KITS:
 CP62N-DWT
 CP62N-HB
 CP62N-HWD
 PERMALUBE

Face to End	Spline Length	Hub Diameter	Kit Mtg. Holes	Deflector	Part Number
1.38" - 10 SPLINE					
2.94"	1.75"	2.13"	DR		62NYS22-10
1.50" - 10 SPLINE					
3.47"	2.19"	2.25"	TH		62NYS24-17
3.47"	2.19"	2.25"	TH	DEFR38-3	62NYS24-17A1
1.63" - 10 SPLINE					
3.13"	2.13"	2.38"	DR		62NYS26-11
3.13"	2.13"	2.38"	DR	DEFR38-1	62NYS26-11A
3.19"	2.13"	2.38"	TH		62NYS26-13
1.75" - 10 SPLINE					
3.31"	2.25"	2.62"	DR		62NYS28-26
3.31"	2.25"	2.75"	TH		62NYS28-123
3.31"	2.25"	2.75"	TH	DEFR47-4	62NYS28-123A
3.34"	2.19"	2.38"	DR		62NYS28-21
4.25"	2.25"	2.62"	DR		62NYS28-32
1.75" - 34 SPLINE					
3.31"	2.25"	2.50"	TH		62NYS28-160
3.31"	2.25"	2.50"	TH	DEFR40-4	62NYS28-160A
3.94"	2.25"	2.50"	TH		62NYS28-202
3.94"	2.25"	2.50"	TH	DEFR40-4	62NYS28-202A
4.25"	2.25"	2.50"	TH		62NYS28-155
4.25"	2.25"	2.50"	TH	DEFR40-4	62NYS28-155A
1.97" - 10 SPLINE					
3.31"	2.25"	2.62"	DR		62NYS31-5
2.00" - 39 SPLINE					
4.00"	2.31"	3.00"	TH	DEFR50-7	62NYS32-48A
2.24" - 16 SPLINE					
3.38"	2.13"	2.62"	DR		62NYS36-2

WING BEARINGS — 72N SERIES

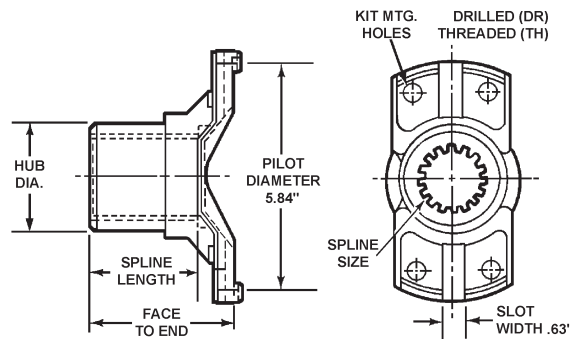


U-JOINT KITS:
 CP72N-DWT
 CP72N-HB
 CP72N-HWD
 PERMALUBE

Face to End	Spline Length	Hub Diameter	Kit Mtg. Holes	Deflector	Part Number
1.50" - 10 SPLINE					
3.44"	2.19"	2.25"	DR		72NYS24
3.50"	2.00"	2.25"	TH		72NYS24-22
1.63" - 10 SPLINE					
3.38"	2.13"	2.38"	DR		72NYS26-3
3.38"	2.13"	2.38"	TH		72NYS26-7
1.75" - 10 SPLINE					
3.25"	2.25"	2.62"	DR		72NYS28-1
3.44"	2.19"	2.38"	DR		72NYS28-5
3.50"	2.25"	2.50"	DR		72NYS28-51
3.50"	2.25"	2.62"	DR		72NYS28-2
3.50"	2.25"	2.62"	TH		72NYS28-65 ⁹
3.50"	2.25"	2.75"	DR		72NYS28-6
3.68"	2.18"	2.62"			72NYS28-200
4.00"	2.13"	2.62"	DR		72NYS28-23
4.38"	2.25"	2.62"	DR		72NYS28-123
4.50"	2.25"	2.75"	DR		72NYS28-10
1.75" - 27 SPLINE					
3.31"	2.00"	2.62"	TH		72NYS28-84
1.75" - 34 SPLINE					
3.75"	2.25"	2.50"	TH		72NYS28-166
3.75"	2.25"	2.50"	TH	DEFR40-4	72NYS28-166A
4.69"	2.25"	2.50"	DR		72NYS28-177
1.78" - 34 SPLINE					
4.56"	2.44"	2.62"	DR		72NYS28-183
4.69"	2.75"	2.56"	TH		72NYS28-141
4.69"	2.76"	2.57"			72NYS28-141A*
1.88" - 10 SPLINE					
3.63"	2.38"	2.75"	DR		72NYS30-3
3.63"	2.38"	2.75"	TH		72NYS30-2
3.63"	2.38"	2.75"	TH	DEFR44-1	72NYS30-2A

⁹ Nut seat is 2.88 in.
 *Includes washer

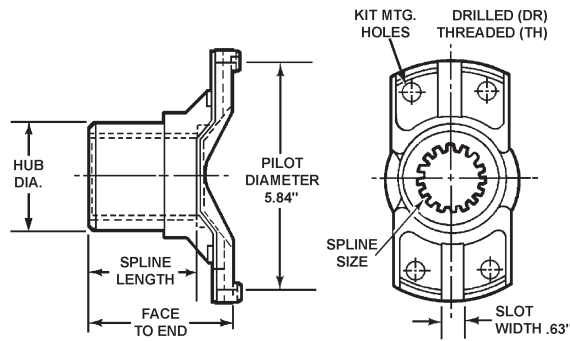
WING BEARINGS — 72N SERIES



U-JOINT KITS:
 CP72N-DWT
 CP72N-HB
 CP72N-HWD
 PERMALUBE

Face to End	Spline Length	Hub Diameter	Kit Mtg. Holes	Deflector	Part Number
1.97" - 10 SPLINE					
3.50"	2.22"	2.94"	DR		72NYS31-93
3.50"	2.25"	2.62"	DR		72NYS31-2
3.50"	2.25"	2.62"	DR	DEFR43-1	72NYS31-2A
3.88"	2.62"	2.75"	DR		72NYS31-4
3.88"	2.62"	2.75"	DR	DEFR47-2	72NYS31-4A
3.88"	2.62"	2.75"	TH		72NYS31-3
4.25"	2.00"	2.50"	DR		72NYS31
4.33"	2.62"	2.75"	DR		72NYS31-8
4.38"	2.25"	2.62"	DR		72NYS31-27
4.50"	2.25"	3.00"	DR		72NYS31-1
2.00" - 10 SPLINE					
3.13"	1.69"	2.62"	DR		72NYS32
3.94"	2.56"	2.94"	TH		72NYS32-9
4.00"	2.13"	2.75"	TH		72NYS32-110
4.25"	2.56"	2.94"	DR		72NYS32-12
4.25"	3.00"	2.75"	DR		72NYS32-104
4.25"	3.00"	2.94"	DR		72NYS32-48
4.25"	3.00"	2.94"	TH		72NYS32-39
4.38"	3.00"	3.25"	DR		72NYS32-16
2.00" - 38 SPLINE					
4.13"	2.13"	2.75"	TH		72NYS32-250
2.00" - 39 SPLINE					
3.81"	2.31"	3.00"	TH		72NYS32-244
3.81"	2.31"	3.00"	TH	DEFR50-7	72NYS32-244A
3.81"	2.31"	3.00"	TH	DEFR50-14	72NYS32-244A1
3.88"	2.00"	2.75"	DR		72NYS32-256
3.88"	2.44"	2.75"	DR		72NYS32-219
3.88"	2.44"	2.75"	TH		72NYS32-220
3.88"	2.44"	2.75"	TH		72NYS32-220A
4.31"	2.44"	2.75"	DR		72NYS32-222
4.31"	2.44"	2.75"	DR	DEFR47-13	72NYS32-222A1
4.31"	2.44"	2.75"	TH		72NYS32-221

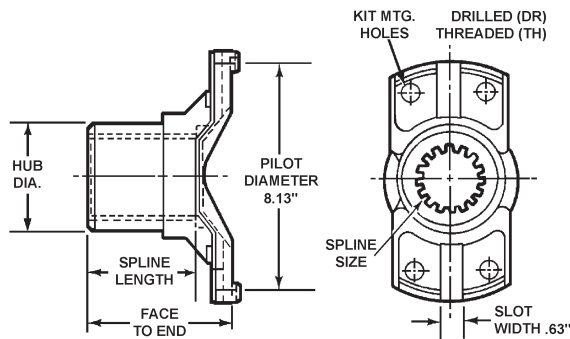
WING BEARINGS — 72N SERIES



U-JOINT KITS:
 CP72N-DWT
 CP72N-HB
 CP72N-HWD
 PERMALUBE

Face to End	Spline Length	Hub Diameter	Kit Mtg. Holes	Deflector	Part Number
2.03" - 10 SPLINE					
3.88"	2.00"	2.75"	DR		72NYS33
2.12" - 41 SPLINE					
4.25"	2.50"	2.94"			72NYS34-42
4.25"	2.50"	2.94"	DR	DEFR48-15	72NYS34-42A1
2.13" - 16 SPLINE					
4.69"	3.00"	2.88"	TH		72NYS34-28
2.16" - 16 SPLINE					
4.25"	3.00"	2.94"	DR		72NYS34-24
2.22" - 6 SPLINE					
4.69"	3.25"	3.00"	DR		72NYS36-22
2.25" - 10 SPLINE					
4.25"	3.00"	3.00"	DR		72NYS36-40
4.25"	3.00"	3.00"	TH		72NYS36-54
4.25"	3.00"	3.00"	TH	DEFR50-2	72NYS36-54A2
4.25"	3.00"	3.50"	DR		72NYS36-13
4.50"	3.00"	3.50"	DR		72NYS36-19
4.50"	3.00"	3.50"	TH		72NYS36-38
2.28" - 17 SPLINE					
3.50"	2.51"	3.00"	TH		72NYS36-1
2.38" - 46 SPLINE					
4.25"	2.32"	3.25"	TH	DEFR56-7	72NYS38-26A
2.50" - 10 SPLINE					
4.44"	3.00"	2.94"	TH		72NYS40-99

WING BEARINGS — 82N SERIES

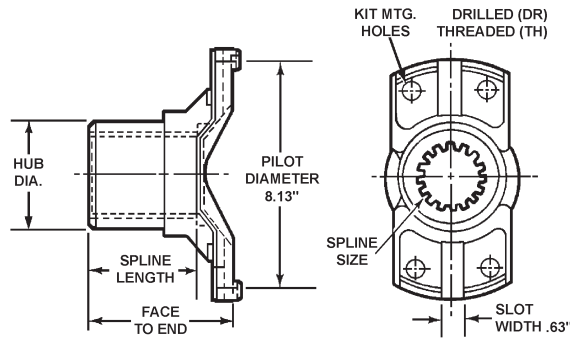


U-JOINT KITS:
 CP82N-DWT
 CP82N-HB
 CP82N-HWD
 PERMALUBE

Face to End	Spline Length	Hub Diameter	Kit Mtg. Holes	Deflector	Part Number
1.94" - 30 SPLINE					
3.69"	2.25"	3.00"	DR		82NYS31-32
1.97" - 10 SPLINE					
3.88"	2.25"	2.62"	DR		82NYS31-16¹⁰
2.00" - 15 SPLINE					
3.88"	2.50"	2.88"	DR		82NYS32
2.00" - 39 SPLINE					
3.88"	2.31"	3.00"	TH		82NYS32-74
3.88"	2.31"	3.00"	TH	DEFR50-4	82NYS32-74A
3.88"	2.31"	3.00"	TH	DEFR50-6	82NYS32-74A1
3.88"	2.44"	2.75"	TH		82NYS32-70
2.25" - 10 SPLINE					
4.75"	3.00"	3.00"	TH		82NYS36-26
2.38" - 46 SPLINE					
4.25"	2.32"	3.25"	TH	DEFR56-7	82NYS38-31A
4.58"	2.62"	3.25"	TH		82NYS38-15
4.58"	2.62"	3.25"	TH	DEFR54-1	82NYS38-15A
2.50" - 10 SPLINE					
4.75"	3.00"	2.94"	DR		82NYS40-28

¹⁰ Counterbore is 2.25 in. at hub end.

WING BEARINGS — 92N SERIES

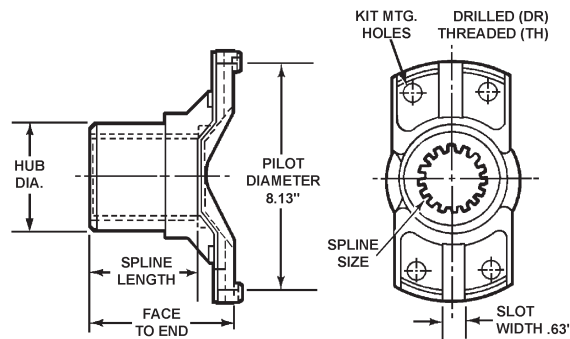


U-JOINT KITS:
 CP82N-DWT
 CP82N-HB
 CP82N-HWD
 PERMALUBE

Face to End	Spline Length	Hub Diameter	Kit Mtg. Holes	Deflector	Part Number
1.77" - 34 SPLINE					
4.25"	2.25"	2.50"			92NYS28-6
2.00" - 39 SPLINE					
3.94"	2.00"	2.75"	TH		92NYS32-27
4.25"	2.31"	3.00"	TH		92NYS32-25
4.25"	2.31"	3.00"	TH	DEFR50-4	92NYS32-25A
4.44"	2.31"	3.00"	DR		92NYS32-26
4.44"	2.31"	3.00"	DR	DEFR50-7	92NYS32-26A
2.03" - 10 SPLINE					
3.94"	2.00"	2.75"	TH		92NYS33-2
2.22" - 6 SPLINE					
5.17"	3.25"	3.00"	DR		92NYS36-41
2.28" - 44 SPLINE					
4.03"	2.50"	2.94"	TH		92NYS36-74
4.03"	2.50"	2.94"	TH	DEFR48-10	92NYS36-74A
4.03"	2.50"	3.00"	TH	DEFR50-24	92NYS36-75A
2.36" - 18 SPLINE					
5.22"	3.38"	3.50"	TH		92NYS38-12
2.38" - 46 SPLINE					
3.94"	2.41"	2.95", 3.75"	TH		92NYS38-67
3.98"	2.62"	3.25"	TH		92NYS38-39
3.98"	2.62"	3.25"	TH	DEFR54-1	92NYS38-39A
4.12"	2.75"	2.88"			92NYSC38-106 ¹²
4.19"	2.88"	3.25"	TH		92NYS38-52
4.19"	2.88"	3.25"	TH	DEFR54-1	92NYS38-52A
4.22"	2.32"	3.25"	TH	DEFR56-7	92NYS38-73A
4.25"	2.41"	3.50"	TH		92NYS38-69
4.25"	2.41"	3.50"	TH	DEFR54-12	92NYS38-69A
4.50"	2.63"	3.12"			92NYS38-46A
5.01"	3.19"	3.38"	TH	DEFR55-3	92NYS38-75A1
5.01"	3.20"	3.38"	TH		92NYS38-75
2.50" - 10 SPLINE					
4.25"	2.41"	3.50"	TH		92NYS40-17
4.25"	2.41"	3.50"	TH	DEFR54-13	92NYS40-17A

¹² Coupling Assembly Yoke. Hub not ground.

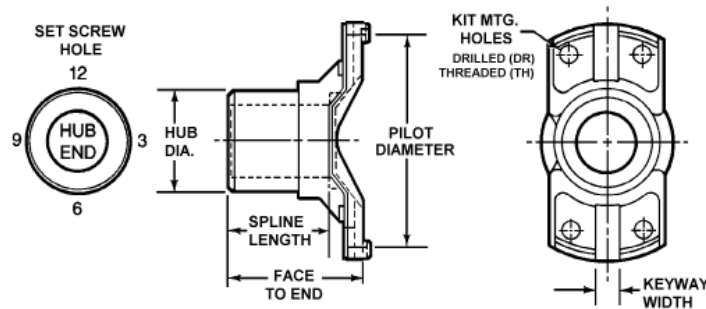
WING BEARINGS — 92N SERIES



U-JOINT KITS:
CP82N-DWT
CP82N-HB
CP82N-HWD
PERMALUBE

Face to End	Spline Length	Hub Diameter	Kit Mtg. Holes	Deflector	Part Number
2.63" - 20 SPLINE					
4.25"	2.75"	3.00"	TH		92NYS42-18
2.63" - 25 SPLINE					
4.13"	3.00"	3.63"	TH		92NYS42-4
2.75" - 10 SPLINE					
4.38"	2.94"	3.38"	TH		92NYS44-18
4.84"	3.00"	3.75"	TH		92NYS44-22 ¹¹
4.84"	3.00"	3.75"	TH	DEFR62-1	92NYS44-22A
2.79" - 54 SPLINE					
4.63"	2.75"	4.15"			92NYS45-2
2.86" - 21 SPLINE					
4.19"	3.00"	4.00"	TH		92NYS44-19
3.19" - 50 SPLINE					
4.00"	2.56"	3.71"	TH		92NYS51

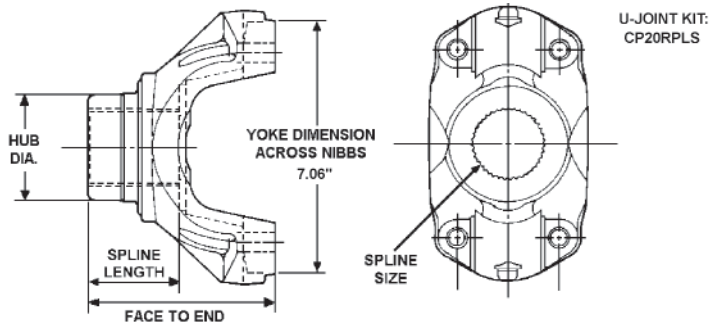
WING BEARINGS STRAIGHT ROUND HOLE



Major Diameter	Keyway Width & Location	Face to End	Spline Length	Hub Dia.	Kit Mtg. Holes	Set Screw Size -Location	Part Number
58WB SERIES							
1.50"	NONE	4.94"	3.75"	5.13" R	TH	NONE	58WBYS24-6
1.63"	0.38" - 12	3.81"	2.19"	2.62" R	DR	.44" - 12	58WBYS26
2.00"	0.50" - 12	3.81"	2.44"	3.25" R	DR	.31" - 12	58WBYS32-34
72N SERIES							
1.50"	NONE	4.94"	3.75"	4.00" R	TH	NONE	72NYS24-2
92N SERIES							
1.75"	NONE	6.56"	4.89"	5.75" R	TH	NONE	92NYS28-3

¹¹ Hub length is .905 in.

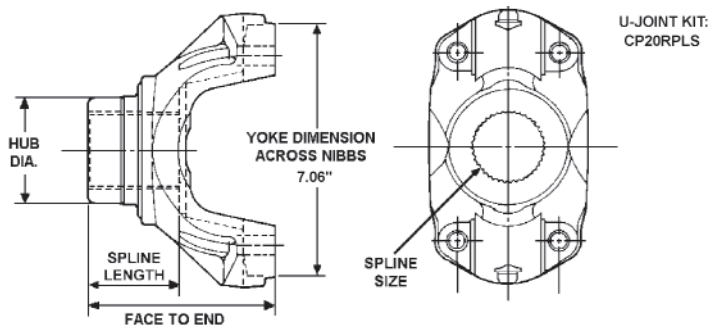
RPL — 20R SERIES



Face to End	Spline Length	Hub Diameter	Deflector	Part Number
1.79" - 34 SPLINE				
5.44"	2.43"	2.62"	DEFR44-10	20WYS28-1A
6.28"	2.43"	2.62"	DEFR44-10	20WYS28-2A
2.00" - 39 SPLINE				
4.85"	2.25"	3.00"	DEFR50-24	20WYS32-5A
4.85"	2.31"	3.00"		20WYS32-17
4.85"	2.31"	3.00"	DEFR64	20WYS32-17A
4.90"	2.50"	2.62"	DEFR44-11	20WYS32-9A
5.38"	2.50"	2.62"	DEFR44-13	20WYS32-7A
5.69"	2.25"	3.00"	DEFR50-24	20WYS32-6A
5.75"	2.25"	2.62"	DEFR44-11	20WYS32-10A
5.94"	2.50"	2.62"	DEFR44-13	20WYS32-8A
5.95"	2.31"	3.00"	DEFR64	20WYS32-2A
5.95"	2.31"	3.00"		20WYS32-2
2.13" - 41 SPLINE				
5.12"	2.50"	2.94"	DEFR48-15	20WYS34-1A
5.53"	3.00"	2.94"	DEFR48-17	20WYS34-3A
5.94"	2.50"	2.94"	DEFR48-15	20WYS34-2A
6.44"	3.00"	2.94"	DEFR48-17	20WYS34-4A
2.28" - 44 SPLINE				
4.75"	2.50"	2.94"	DEFR48-10	20WYS36-3A
4.81"	2.34"	2.94"	DEFR48-15	20WYS36-2A
4.81"	2.50"	3.00"	DEFR50-24	20WYS36-1A
2.38" - 46 SPLINE				
4.90"	2.32"	3.25"	DEFR64-3	20WYS38-4A
4.90"	2.75"	2.88"		20WYSC38-18 ¹²
5.00"	2.88"	3.25"	DEFR54-5	20WYS38-10A1
5.00"	2.88"	3.25"	DEFR54-1	20WYS38-10A
5.31"	3.20"	3.38"	DEFR55-3	20WYS38-11A
5.95"	2.33"	3.25"	DEFR64-3	20WYS38-3A
6.25"	2.88"	3.25"		20WYS38-8
6.25"	2.88"	3.25"	DEFR64-4	20WYS38-8A
2.50" - 10 SPLINE				
5.15"	3.00"	3.75"	DEFR62-1	20WYS40-2A

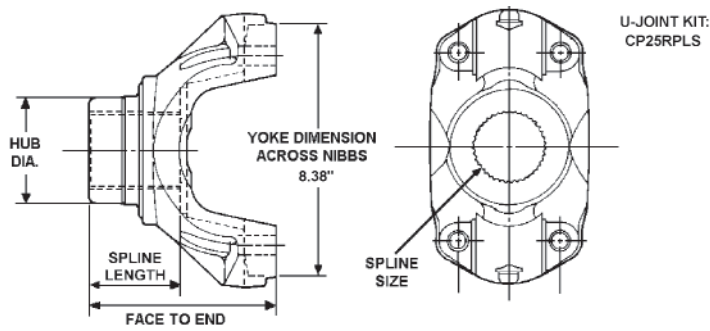
¹² Coupling Assembly Yoke. Hub not ground.

RPL — 20R SERIES



Face to End	Spline Length	Hub Diameter	Deflector	Part Number
2.54" - 49 SPLINE				
5.15"	3.00"	3.75"	DEFR62-1	20WYS40-4A
5.63"	2.75"	3.75"		20WYS40-3
2.75" - 10 SPLINE				
5.09"	3.00"	3.75"	DEFR62-1	20WYS44-2A
2.79" - 54 SPLINE				
5.25"	2.75"			20WYS45
3.54" - 44 SPLINE				
5.90"	3.19"	3.90"		20WYS57-1

RPL — 25R SERIES



Face to End	Spline Length	Hub Diameter	Deflector	Part Number
2.28" - 44 SPLINE				
4.75"	2.50"	2.94"	DEFR48-10	25WYS36-3A
4.81"	2.34"	2.94"	DEFR48-15	25WYS36-2A
4.81"	2.50"	3.00"	DEFR50-24	25WYS36-1A
2.38" - 46 SPLINE				
4.73"	2.32"	3.25"		25WYS38-13
4.73"	2.32"	3.25"	DEFR64-3	25WYS38-13A
4.73"	2.32"	3.25"	DEFR64-7	25WYS38-13A1
4.73"	2.32"	3.25"	DEFR64-10	25WYS38-13A4
4.88"	2.40"	3.75"		25WYS38-9A1 *
4.90"	2.75"	2.88"		25WYSC38-11 ¹²
5.00"	2.88"	3.25"	DEFR54-1	25WYS38-8A
5.31"	3.20"	3.38"	DEFR55-3	25WYS38-6A
2.38" - 48 SPLINE				
5.00"	2.88"	3.25"	DEFR54-5	25WYS38-8A1
2.50" - 10 SPLINE				
5.15"	3.00"	3.75"	DEFR62-1	25WYS40-2A
2.54" - 49 SPLINE				
5.18"	3.00"	3.75"	DEFR62-1	25WYS40-4A
6.25"	2.75"	3.75"		25WYS40-3
2.75" - 10 SPLINE				
5.09"	3.00"	3.75"		25WYS44-2
5.09"	3.00"	3.75"	DEFR62-1	25WYS44-2A
2.79" - 54 SPLINE				
5.88"	2.75"			25WYS45
3.54" - 44 SPLINE				
6.10"	3.19"	3.90"		25WYS57-1

¹² Coupling Assembly Yoke. Hub not ground.
*Includes Speedo Gear

SECTION 4

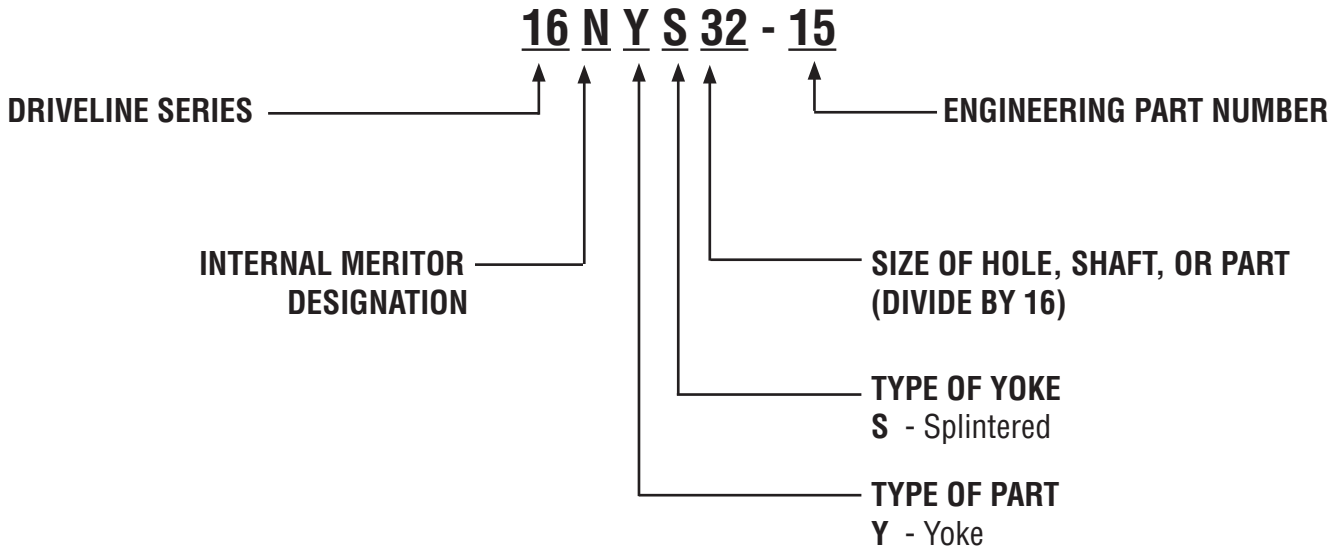
INDEX

End Yokes - Easy Service	Page
EASY SERVICE YOKES	
Kits for Easy Service	4-1
END YOKES - EASY SERVICE PAGE	
131N SERIES	4-2
133N SERIES	4-2
141N SERIES	4-3
148N SERIES	4-4
155N SERIES	4-5
159N SERIES	4-13
16N SERIES	4-6
17N SERIES	4-7
176N SERIES	4-11
18N SERIES	4-11
170 SERIES	4-13
250 SERIES	4-14

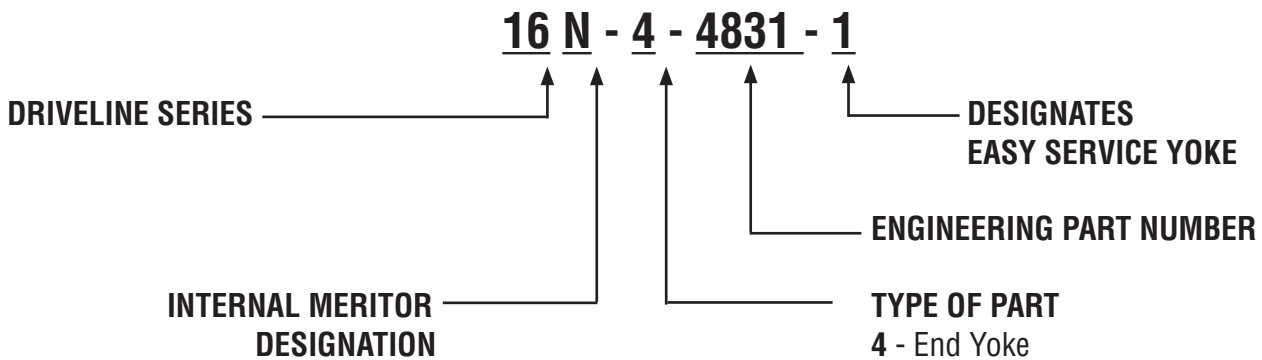
MERITOR NUMBERING SYSTEM

Meritor components may be identified by one of the numbering systems shown below. Aftermarket numbers are issued to make Meritor components easy to select when choosing a replacement component.

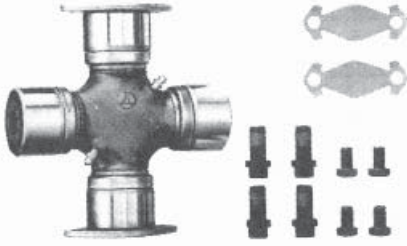
MERITOR ENGINEERING NUMBER



MERITOR AFTERMARKET NUMBER

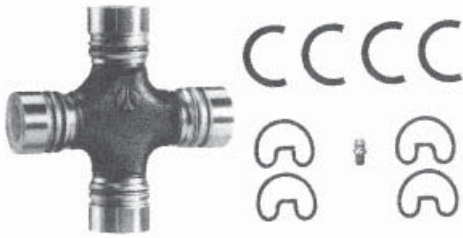


KITS FOR EASY SERVICE YOKES



U-JOINT KITS:

- M674X (Includes Strap)
- M675X (Includes Strap)
- M676X (Includes Strap)
- M677X (Includes Strap)



U-JOINT KITS:

- CP141N
- CP148N
- CP155N



STRAP AND BOLT KITS:

- KT16SB
- KT17SB
- KT122
- KT124
- KT125 (Includes 4 Lock Washers)
- KT126 (Includes 4 Lock Washers)



STRAP AND BOLT KITS:

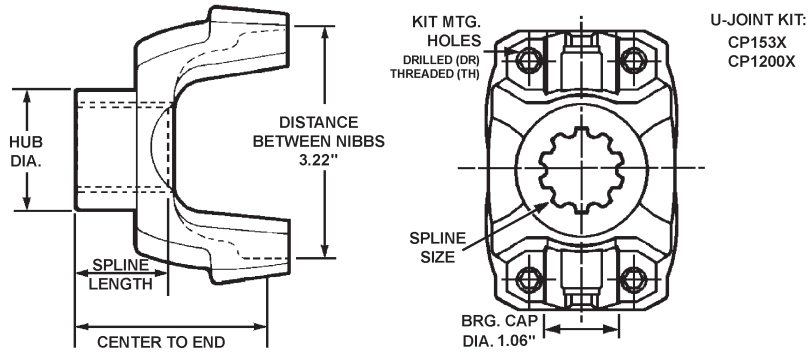
- KT121
- KT122



U-BOLT KITS:

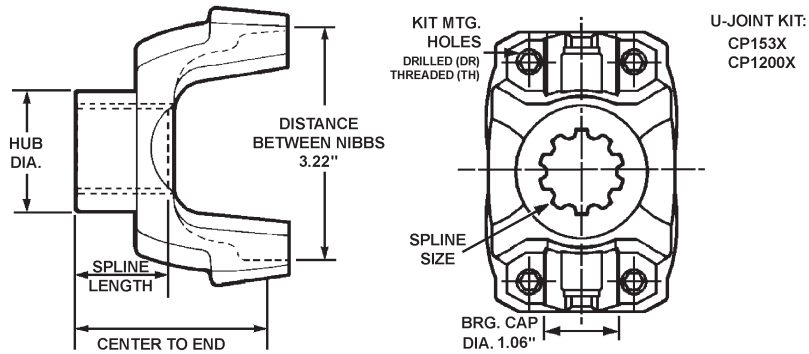
- KT117
- KT118

131N SERIES



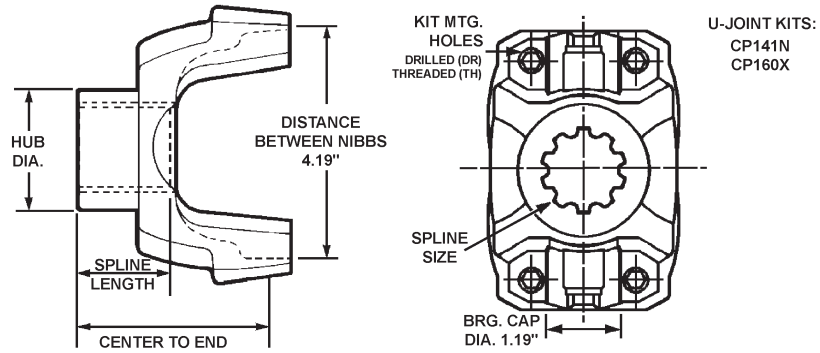
Center to End	Spline Length	Hub Diameter	Kit Mtg. Holes	Use Kit	Joint Angle	Deflector	Part Number
1.15" - 26 SPLINE							
3.00"	1.50"	1.55"					131N-4-4341 ²
3.00"	1.50"	1.55"	DR	KT116			131N-4-8091X

133N SERIES



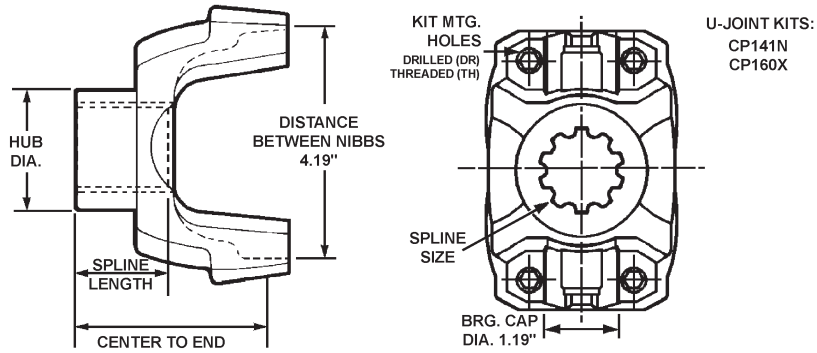
Center to End	Spline Length	Hub Diameter	Kit Mtg. Holes	Use Kit	Joint Angle	Deflector	Part Number
1.40" - 32 SPLINE							
3.88"	2.00"	1.88"					133N-4-5441 ²

141N SERIES



Center to End	Spline Length	Hub Diameter	Kit Mtg. Holes	Use Kit	Joint Angle	Deflector	Part Number
1.38" - 10 SPLINE							
3.50"	1.75"	2.13"	DR	KT117			141N-4-3941
3.50"	1.75"	2.13"	DR	KT117		DEFR35-3	141NYS22A
1.50" - 10 SPLINE							
3.69"	2.00"	1.81"	DR	KT117	30°		141N-4-6561
3.69"	2.00"	1.81"	DR	KT117	30°	DEFR34-1	141N-4-6631X
3.88"	2.19"	2.25"	DR	KT117	22°		141N-4-2241
1.50" - 35 SPLINE							
5.75"	1.94"	2.50"	TH				141NYS24-4
1.75" - 10 SPLINE							
4.19"	2.19"	2.38"	DR	KT117	30°		141N-4-1841
4.25"	2.19"	2.62"	DR	KT117	30°		141N-4-2511
1.75" - 34 SPLINE							
4.25"	2.18"	2.62"	DR	KT117		DEFR44-1	141NYS28-19A

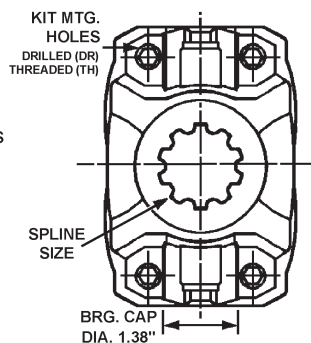
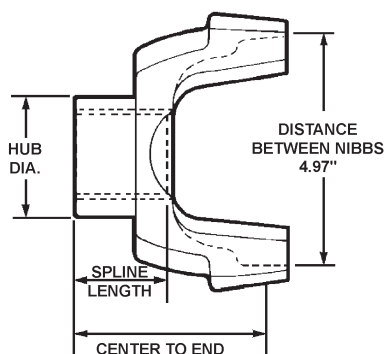
148N SERIES



Center to End	Spline Length	Hub Diameter	Kit Mtg. Holes	Use Kit	Joint Angle	Deflector	Part Number
1.38" - 10 SPLINE							
3.96"	1.75"	2.13"	TH				148TYS22A
1.50" - 10 SPLINE							
4.03"	2.00"	2.06"	DR	KT118		DEFR40-5	148N-4-3081¹²
4.03"	2.00"	1.94"	DR	KT118	30°		148N-4-3091
4.03"	2.00"	1.94"	DR	KT118	30°	DEFR37-1	148N-4-4421X
4.19"	2.19"	2.25"	DR	KT118	30°		148N-4-3781
1.75" - 10 SPLINE							
4.22"	2.19"	2.38"	DR	KT118	22°		148N-4-3571
4.28"	2.25"	2.62"	DR	KT118	22°		148N-4-3061¹
1.75" - 34 SPLINE							
4.27"	2.18"	2.62"	DR	KT118			148NYS28-36
4.42"	2.22"	2.62"	DR	KT118	25°	DEFR44-1	148N-4-10471-1X
4.50"	2.25"	2.50"	TH	KT124		DEFR40-4	148N-4-8051-1X
1.97" - 10 SPLINE							
4.04"	2.25"	2.62"	DR	KT118	22°		148N-4-3861
2.00" - 39 SPLINE							
4.75"	2.31"	3.00"	TH	KT124	22°		148TYS32-4
4.75"	2.31"	3.00"	TH	KT124	22°	DEFR50-7	148TYS32-4A

1 Hub effective length 1.50 in.
12 Coupling Assembly Yoke. Hub not ground.

155N SERIES

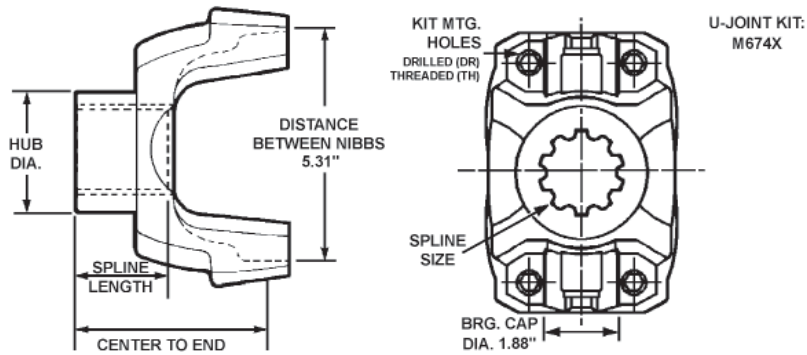


U-JOINT KITS:
CP155N
CP155X

Center to End	Spline Length	Hub Diameter	Kit Mtg. Holes	Use Kit	Joint Angle	Deflector	Part Number
1.50" - 10 SPLINE							
3.78"	2.00"	1.94"	DR	KT118	22°		155N-4-2051
3.81"	2.00"	2.19"	DR	KT118	22°		155N-4-4211
3.81"		2.56"	TH	KT124			155N-4-4211-1 ⁵
3.97"	2.19"	2.13"	DR				155NYS24-6
1.75" - 10 SPLINE							
4.31"	2.25"	2.62"	DR	KT118	20°		155N-4-1891
4.66"	2.25"	2.62"	DR	KT118			155N-4-1901
1.75" - 27 SPLINE							
4.50"	2.00"	2.62"	TH	KT124			155TYS28-26
1.75" - 34 SPLINE							
4.07"	2.25"	2.44"	TH	KT124	25°		155TYSC28-43
4.27"	2.19"	2.62"	TH	KT124	24°		155N-4-5551-1
4.27"	2.19"	2.62"	TH	KT124	24°	DEFR44-1	155N-4-5611-1X
4.66"	2.25"	2.50"	DR	KT118	20°		155N-4-4101
4.66"	2.25"	2.50"	DR	KT118	20°	DEFR40-4	155NYS28-5A
4.66"	2.25"	2.50"	TH	KT124	35°	DEFR40-4	155TYS28-1A
4.69"	2.25"	2.50"	DR	KT123	26°	DEFR40-4	155DYS28-1A
4.69"	2.25"	2.50"	TH	KT124	26°		155TYS28-1
1.79" - 34 SPLINE							
4.37"	1.97"	2.50"	TH	KT124	26°		155TYS28-49
4.37"	1.97"	2.50"	TH	KT124	26°		155TYS28-49A*
1.88" - 10 SPLINE							
4.41"	2.38"	2.75"	TH	KT124			155N-4-1941-1
1.97" - 10 SPLINE							
4.28"	2.25"	2.62"	DR	KT118	20°		155N-4-2431
2.00" - 39 SPLINE							
4.27"	2.25"	2.62"	TH	KT124	22°		155N-4-5031-1
4.27"	2.25"	2.62"	TH	KT124	22°	DEFR44-11	155N-4-6831-1X
4.75"	2.31"	3.00"	DR	KT123	22°		155DYS32-6
4.75"	2.31"	3.00"	DR	KT123	22°	DEFR50-7	155DYS32-6A
4.75"	2.31"	3.00"	TH	KT124	25°		155TYS32-6
4.75"	2.31"	3.00"	TH	KT124	25°	DEFR50-7	155TYS32-6A
4.75"	2.31"	3.00"	TH	KT124	25°	DEFR50-4	155TYS32-6A3

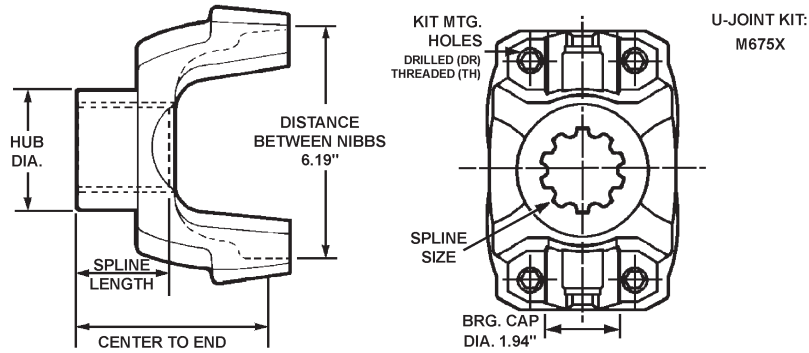
5 Coupling Assembly Yoke
*Has deflector

16N SERIES



Center to End	Spline Length	Hub Diameter	Kit Mtg. Holes	Use Kit	Joint Angle	Deflector	Part Number
1.75" - 10 SPLINE							
4.13"	2.25"	2.18", 2.56"	TH	KT16SB			16N-4-1721-1 ⁵
1.75" - 34 SPLINE							
4.75"	2.19"	2.62"	TH	KT16SB	37.5°		16N-4-7301-1X
4.88"	2.25"	2.50"	TH	KT16SB	28°		16N-4-5571-1
4.88"	2.25"	2.50"	TH	KT16SB	28°	DEFR40-4	16TYS28-13A
1.79" - 34 SPLINE							
4.13"	2.25"	2.19"	TH	KT16SB			16N-4-7171-1 ⁵
4.37"	2.25"	2.44"	TH	KT16SB			16TYS28-66 ⁵
2.00" - 38 SPLINE							
4.50"	2.13"	2.75"	TH	KT16SB			16N-4-6321-1
4.50"	2.13"	2.75"	TH	KT16SB			16TYS32-61
2.00" - 39 SPLINE							
4.88"	2.31"	3.00"	TH			DEFR50-7	16TYS32-86A
4.88"	2.31"	3.00"	TH	KT16SB	21°		16N-4-6421-1
4.88"	2.31"	3.00"	TH	KT16SB	21°	DEFR50-4	16N-4-6431-1X
5.12"	2.44"	2.75"	TH	KT16SB		DEFR47-13	16N-4-6951-1X
5.12"	2.44"	2.75"	TH	KT16SB	30°		16TYS32-5
5.54"	2.31"	3.00"	TH	KT16SB	27°	DEFR50-19	16TYS32-32A3
5.54"	2.31"	3.00"	TH	KT16SB	32°		16N-4-6271-1
5.54"	2.31"	3.00"	TH	KT16SB	32°	DEFR50-7	16TYS32-32A
6.22"	2.31"	3.00"	TH	KT16SB			16TYS32-76
6.22"	2.31"	3.00"	TH	KT16SB		DEFR59-1	16TYS32-76A
2.38" - 46 SPLINE							
4.94"	2.33"	3.25"	TH	KT16SB	21°		16N-4-7331-1
4.94"	2.32"	3.25"	TH	KT16SB	21°	DEFR56-7	16N-4-7341-1X
5.50"	2.88"	3.25"	TH	KT16SB		DEFR54-5	16TYS38-11A

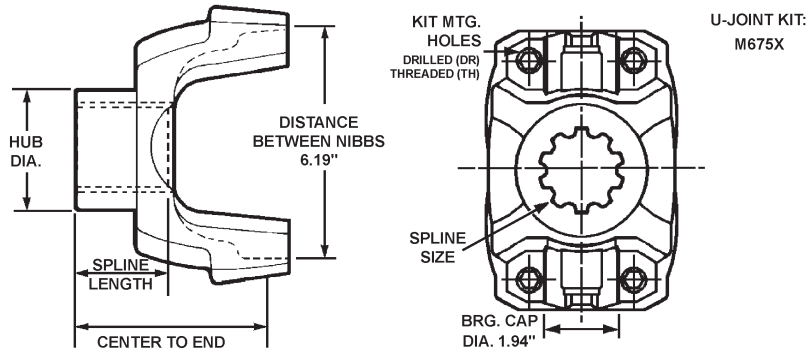
17N SERIES



Center to End	Spline Length	Hub Diameter	Kit Mtg. Holes	Use Kit	Joint Angle	Deflector	Part Number
1.75" - 34 SPLINE							
4.88"	2.25"	2.50"	TH	KT17SB	29°		17TYS28-57
4.88"	2.25"	2.50"	TH	KT17SB	29°	DEFR40-4	17TYS28-57A
4.88"	2.25"	2.50"	TH	KT17SB	32°		17TYS28-63
5.44"	2.44"	2.62"	TH	KT17SB	29°	DEFR44-10	17N-4-8511-1X
1.94" - 37 SPLINE							
4.92"	5.10"	3.15"	TH	KT17SB	32°	DEFR66-1	17TYS31-66A
1.96" - 10 SPLINE							
5.00"	3.00"	2.82"	TH	KT17SB			17TYS31-54
2.00" - 38 SPLINE							
5.00"	3.00"	2.81"	TH	KT17SB	25°		17N-4-7141-1
5.25"	2.13"	2.75"	TH	KT17SB			17TYS32-73
2.00" - 39 SPLINE							
5.16"	2.31"	3.00"	TH	KT17SB	28°		17N-4-7621-1
5.16"	2.31"	3.00"	TH	KT17SB	28°	DEFR50-4	17N-4-7631-1X
5.16"	2.31"	3.00"	TH	KT17SB	28°	DEFR50-7	17N-4-7641-1X
5.25"	2.44"	2.75"	TH	KT17SB	33°	DEFR47-13	17N-4-6951-1X
5.25"	2.28"	3.00"	TH	KT17SB		DEFR50-24	17TYS32-92A
5.31"	1.96"	2.75"	TH	KT17SB	31°		17TYS32-60
5.31"	1.96"	2.75"	TH	KT17SB	31°	DEFR42-2	17TYS32-60A
5.44"	2.50"	2.62"	TH	KT17SB		DEFR44-13	17TYS32-94A
6.12"	2.50"	2.62"	TH	KT17SB	43°	DEFR44-13	17TYS32-91A
6.25"	2.31"	3.00"	TH	KT17SB			17TYS32-99
6.25"	2.31"	3.00"	TH	KT17SB	43.5°	DEFR59-1	17N-4-6391-1X
7.30"	2.31"	3.00"	TH	KT17SB			17TYSB32-98A ⁸
2.02" - 39 SPLINE							
6.13"	2.28"	3.00"	TH	KT17SB		DEFR50-24	17N-4-8991-1X
6.13"	2.50"	2.63"	TH	KT17SB		DEFR44-13	17N-4-9001-1X
2.13" - 41 SPLINE							
5.19"	2.50"	2.94"	TH	KT17SB		DEFR48-15	17TYS34-14A1
5.35"	2.50"	2.94"	TH	KT17SB			17TYS34-29
2.14" - 41 SPLINE							
5.19"	2.50"	2.94"	TH	KT17SB		DEFR48-2	17N-4-7321-1X
6.13"	2.50"	2.94"	TH	KT17SB		DEFR48-2	17N-4-7561-1X ⁶
6.63	3	2.94		KT17SB	45	DEFR48-17	17TYS34-18A1

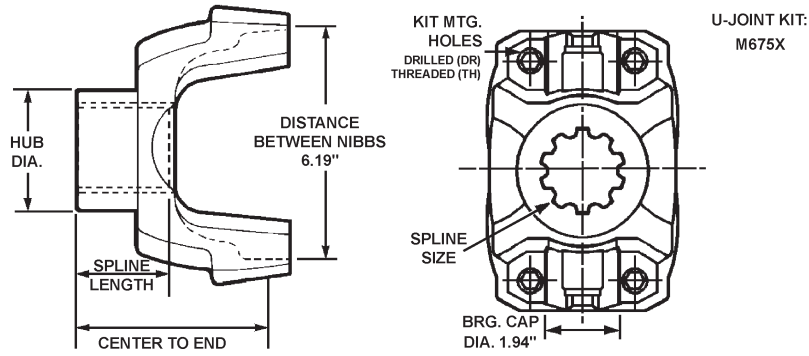
6 High Angle Yoke.
8 With Drum.

17N SERIES



Center to End	Spline Length	Hub Diameter	Kit Mtg. Holes	Use Kit	Joint Angle	Deflector	Part Number
2.25" - 10 SPLINE							
5.25"	3.00"	3.50"	TH	KT17SB		DEFR62-1	17N-4-6901-1X
5.25"	3.00"	3.50"	TH	KT17SB	25°		17N-4-6861-1
5.25"	3.00"	3.75"	TH	KT17SB	25°		17N-4-7371-1
6.06"	3.00"	3.00"	TH	KT17SB		DEFR50-2	17TYS36-52A
2.27" - 44 SPLINE							
5.19"	2.50"	2.94"	TH	KT17SB			17N-4-8461-1
5.19"	2.50"	2.94"	TH	KT17SB		DEFR48-10	17N-4-8551-1X
2.28" - 44 SPLINE							
5.03"	2.34"	2.94"	TH	KT17SB		DEFR48-15	17TYS36-58A1
5.19"	2.50"	2.94"	TH	KT17SB	27°		17N-4-6031-1
5.19"	2.50"	2.94"	TH	KT17SB	27°	DEFR48-8	17N-4-6041-1X
5.19"	2.50"	3.00"	TH	KT17SB		DEFR50-24	17TYS36-62A
2.34" - 16 SPLINE							
4.94"	2.75"	3.31"	TH	KT17SB	20°		17N-4-4601-1 ⁵
2.34" - 45 SPLINE							
5.00"	2.00"	2.52"	TH	KT17SB	32°	DEFR66-1	17TYS37-1A
2.36" - 18 SPLINE							
5.75"	3.38"	3.50"	TH	KT17SB	18°		17N-4-4561-1
2.37" - 46 SPLINE							
5.69"	2.63"	3.25"	TH	KT17SB		DEFR54-1	17N-4-5461-1X
2.38" - 46 SPLINE							
5.00"	1.95"	3.25"	TH	KT17SB	32°	3264-Z-1274	17TYS38-78A
5.16"	2.40"	3.50"	TH	KT17SB	32°	DEFR54-12	17N-4-8341-1X
5.38"	2.32"	3.25"	TH			DEFR56-7	17TYS38-76A
5.38"	2.32"	3.25"	TH			DEFR56-15	17TYS38-76A5
5.38"	2.32"	3.25"	TH	KT17SB	29°	DEFR56-7	17N-4-7181-1X
5.38"	2.32"	3.25"	TH	KT17SB	32°		17TYS38-76
5.38"	2.32"	3.25"	TH	KT17SB	32°	DEFR56-12	17TYS38-76A2
5.75"	3.38"	3.50"	TH	KT17SB	16°		17N-4-4771-1
5.94"	2.88"	3.25"	TH	KT17SB		DEFR54-5	17N-4-6961-1X
6.01"	3.20"	3.38"	TH	KT17SB		DEFR55-2	17N-4-7531-1X
6.50"	2.31"	3.25"	TH	KT17SB		DEFR56-7	17N-4-7771-1X
6.50"	2.31"	3.25"	TH	KT17SB			17TYS38-71
6.83"	2.32"	3.25"	TH	KT17SB	45°	DEFR64-3	17TYS38-75A
6.93"	2.88"	3.25"	TH	KT17SB			17TYS38-70A

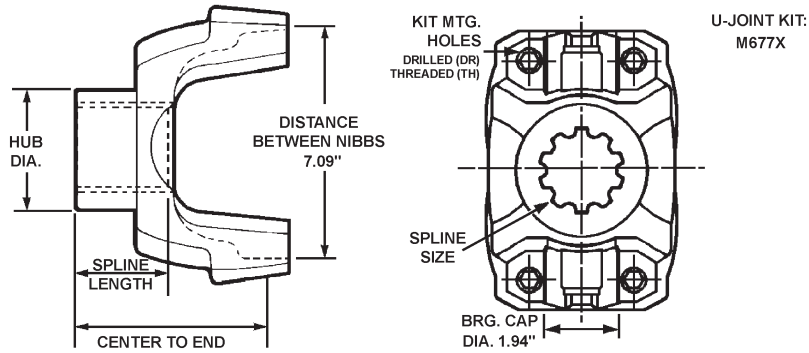
17N SERIES



Center to End	Spline Length	Hub Diameter	Kit Mtg. Holes	Use Kit	Joint Angle	Deflector	Part Number
2.39" - 46 SPLINE							
5.19"	2.50"	2.94"	TH	KT17SB			17N-4-8461-1
2.50" - 10 SPLINE							
5.16"	2.41"	3.50"	TH	KT17SB	22°		17TYS40-152
5.63"	3.00"	3.75"	TH	KT17SB	30°		17N-4-6611-1
5.63"	3.00"	3.75"	TH	KT17SB	30°	DEFR62-1	17N-4-6921-1X
2.34" - 16 SPLINE							
4.94"	2.75"	3.31"	TH	KT17SB	20°		17N-4-4601-1 ⁵
2.50" - 49 SPLINE							
5.19"	2.75"	3.06"	TH	KT17SB			17N-4-7691-1
2.63" - 20 SPLINE							
5.19"	2.75"	3.00"	TH	KT17SB	21°		17N-4-7071-1X*
2.75" - 10 SPLINE							
5.75"	3.00"	3.50"	TH	KT17SB	22°		17TYS44-14
5.75"	3.00"	3.75"	TH	KT17SB	20°	DEFR62-1	17N-4-6931-1X
2.75" - 43 SPLINE							
5.93"	1.80"	3.75"	TH	KT17SB		DEFR62-2	17TYS44-16A
2.79" - 54 SPLINE							
5.63"	2.75"		TH	KT17SB			17TYS45

5 Coupling Yoke
 *Includes deflector - not sold separately

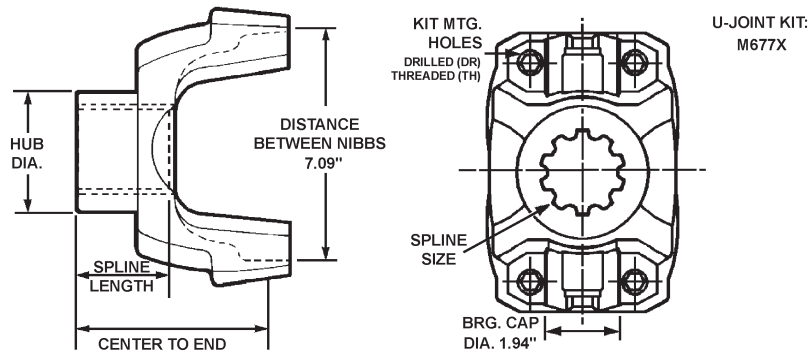
176N SERIES



Center to End	Spline Length	Hub Diameter	Kit Mtg. Holes	Use Kit	Joint Angle	Deflector	Part Number
2.00" - 39 SPLINE							
5.19"	2.31"	3.00"	TH	KT17SB	30°		176N-4-531-1
5.19"	2.31"	3.00"	TH	KT17SB	30°	DEFR56-2	176N-4-541-1X
5.19"	2.31"	3.00"	TH	KT17SB	30°	DEFR56-6	176TYS32-3A1
2.11" - 32 SPLINE							
5.00"	2.25"	3.00"	TH	KT17SB			176N-4-1521-1X
2.27" - 44 SPLINE							
5.25"	2.50"	2.94"	TH	KT17SB		DEFR48-10	176N-4-1481-1X
2.28" - 44 SPLINE							
5.09"	2.34"	2.94"	TH	KT17SB		DEFR48-15	176TYS36-10A1
5.25"	2.50"	3.00"	TH	KT17SB	31°	DEFR50-24	176N-4-5221-1X
5.25"	2.50"	3"	TH	KT17SB	26°		176N-4-1421-1
5.25"	2.50"	3"	TH	KT17SB	26°	DEFR48-5	176N-4-331-1X
2.34" - 16 SPLINE							
5.50"	2.75"	2.88"	TH	KT17SB	30°		176N-4-161-1³
2.38" - 16 SPLINE							
5.5	2.75	2.88		KT17SB	31°	DEFR55-1	176TYSC38-4A⁵
2.38" - 18 SPLINE							
6.12"	3.38"	3.50"	TH	KT17SB			176N-4-271-1
2.38" - 46 SPLINE							
5.06"	2.32"	3.25"	TH			DEFR56-7	176TYS38-27A
5.06"	2.33"	3.25"	TH	KT17SB	30°		176N-4-1031-1
5.06"	2.32"	3.25"	TH	KT17SB	30°	DEFR56-7	176N-4-1041-1X
5.06"	2.32"	3.25"	TH	KT17SB	31°		176TYS38-27
5.06"	2.32"	3.25"	TH	KT17SB	31°	DEFR56-12	176TYS38-27A2
5.06"	2.32"	3.25"	TH	KT17SB		DEFR56-15	176TYS38-27A5
5.44"	2.62"	3.25"	TH	KT17SB		DEFR54-1	176N-4-211-1X
5.44"	2.63"	3.25"	TH	KT17SB	30°		176N-4-101-1
5.50"	2.75"	3.31"	TH	KT17SB	30°		176N-4-821-1
5.63"	2.88"	3.25"	TH	KT17SB	30°		176N-4-291-1
5.63"	2.88"	3.25"	TH	KT17SB	30°	DEFR54-5	176N-4-861-1X
5.71"	1.78"	3.75"	TH	KT17SB	32°		176TYS38-10A1
6.20"	3.00"	3.38"	TH	KT17SB	30°	DEFR55-2	176N-4-1161-1X
2.39" - 46 SPLINE							
6.00"	3.19"	3.38"	TH	KT17SB		DEFR55-3	176N-4-1651-1X

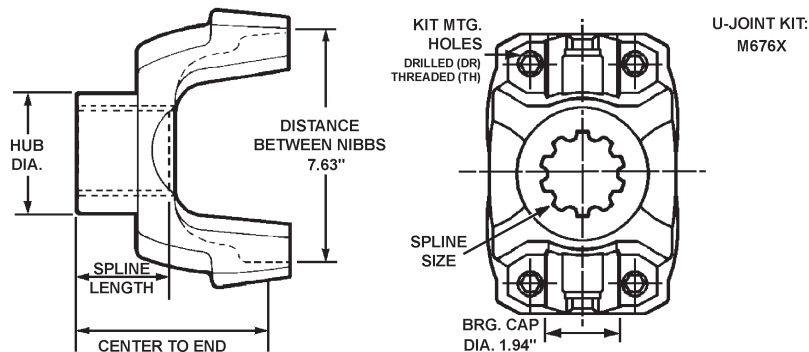
3 Center Bearing Yoke.
5 Coupling Yoke.

176N SERIES



Center to End	Spline Length	Hub Diameter	Kit Mtg. Holes	Use Kit	Joint Angle	Deflector	Part Number
2.50" - 10 SPLINE							
5.97"	3.00"	3.75"	TH	KT17SB	32°		176TYS44-4
6.00"	3.00"	2.94", 3.75"	TH	KT17SB	32°		176N-4-651-1
2.50" - 49 SPLINE							
6.00"	3.00"	3.75"	TH	KT17SB	32°	DEFR62-1	176N-4-781-1X
6.03"	3.00"	3.75"	TH	KT17SB		DEFR62-1	176N-4-771-1X
2.75" - 10 SPLINE							
5.97"	3.00"	3.75"	TH	KT17SB	30°	DEFR62-1	176N-4-791-1X
2.79" - 54 SPLINE							
5.63"	2.75"		TH	KT17SB			176N-4-1681-1 ⁷
5.63"	2.75"	3.88"	TH	KT17SB	24°		176TYS45

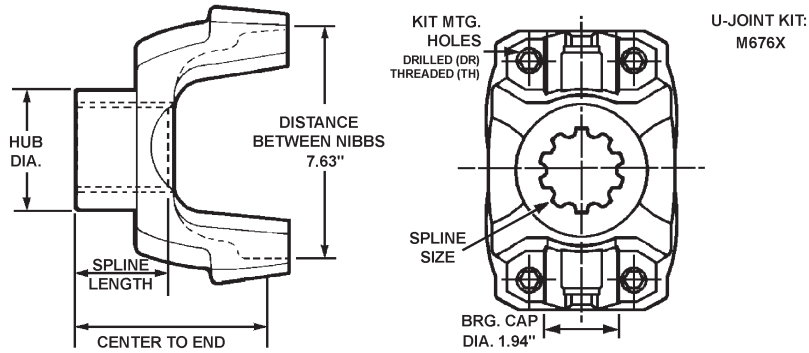
18N SERIES



Center to End	Spline Length	Hub Diameter	Kit Mtg. Holes	Use Kit	Joint Angle	Deflector	Part Number
1.94" - 37 SPLINE							
5.13"	1.65"	3.15"	TH	KT17SB	32°	DEFR66-1	18TYS31-5A
2.00" - 39 SPLINE							
5.19"	2.00"	2.75"	TH	KT17SB	32°	DEFR42-2	18TYS32-18A
5.19"	2.31"	3.00"	TH	KT17SB			18N-4-3841-1
5.19"	2.31"	3.00"	TH	KT17SB	30°		18N-4-3371-1
5.19"	2.31"	3.00"	TH	KT17SB	30°	DEFR56-2	18N-4-3381-1X
5.19"	2.31"	3.00"	TH	KT17SB	30°	DEFR56-6	18TYS32-12A1
5.19"	2.31"	3.00"	TH	KT17SB	30°		18TYS32-12A2*
2.13" - 41 SPLINE							
5.94	2.5	2.94		KT17SB	32		18TYS34-5

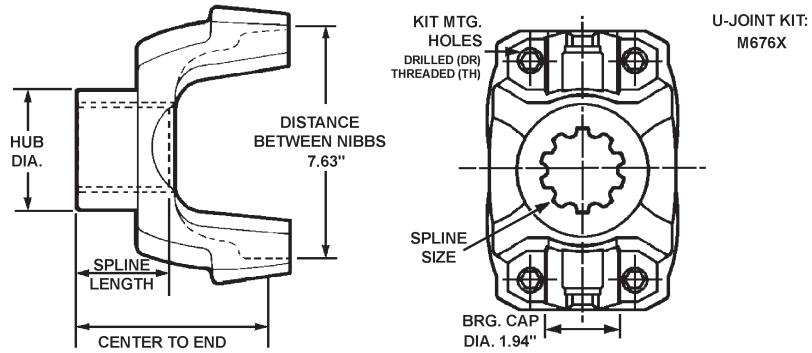
⁷ Hub not ground.
*Includes washer.

18N SERIES



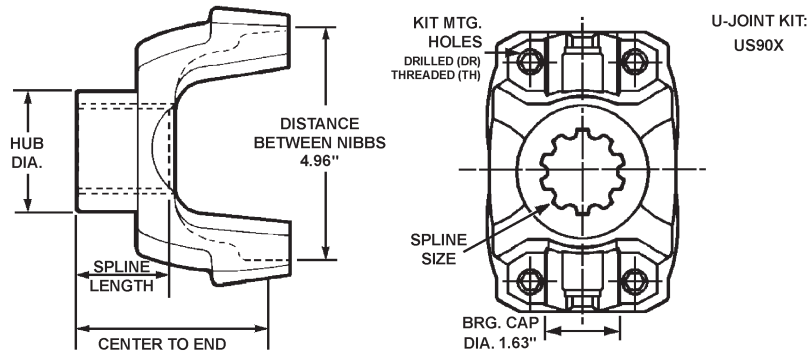
Center to End	Spline Length	Hub Diameter	Kit Mtg. Holes	Use Kit	Joint Angle	Deflector	Part Number
2.27" - 44 SPLINE							
5.25"	2.50"	2.94"	TH	KT17SB		DEFR48-5	18N-4-3281-1X
5.25"	2.50"	3.00"	TH	KT17SB		DEFR50-24	18N-4-4571-1X
2.28" - 44 SPLINE							
5.25"	2.50"	2.94"	TH	KT17SB	30°		18N-4-3271-1
5.25"	2.50"	3.00"	TH	KT17SB		DEFR50-24	18TYS36-20A
5.75"	2.80"	2.96"	TH	KT17SB	32°		18TYS36-17
2.29" - 44 SPLINE							
5.25"	2.50"	2.94"	TH	KT17SB		DEFR48-10	18N-4-4351-1X
2.34" - 16 SPLINE							
5.50"	2.75"	3.31"	TH	KT17SB	30°		18N-4-1891-1
		3.00"	TH	KT17SB	30°		18N-4-3371-1
5.85"	2.34"	2.75"	TH	KT17SB			18TYS38-24
		3.00"	TH	KT17SB	30°	DEFR56-6	18TYS32-12A1
6.13"	3.38"	3.50"	TH	KT17SB	32°		18TYS38-9
2.38" - 46 SPLINE							
5.16"	2.32"	3.25"	TH	KT17SB	28°	DEFR56-12	18N-4-03556-1X
5.16"	2.31"	3.25"	TH	KT17SB	30°		18N-4-3721-1
5.16"	2.32"	3.25"	TH	KT17SB	30°	DEFR56-7	18N-4-3731-1X
5.16"	2.32"	3.25"	TH	KT17SB	28°	DEFR56-7	18TYS38-27A
5.16"	2.32"	3.25"	TH	KT17SB	28°	DEFR56-15	18TYS38-27A5
5.21"	2.40"	2.95"	TH	KT17SB	32°		18TYS38-15
5.41"	2.41"	3.50"	TH	KT17SB		DEFR54-12	18N-4-4271-1X
5.44"	2.62"	3.25"	TH	KT17SB		DEFR54-1	18N-4-2711-1X
5.50"	2.75"	3.31"	TH	KT17SB	30°		18N-4-3591-1⁵
5.69"	2.88"	3.25"	TH	KT17SB		DEFR54-1	18N-4-3221-1X
5.69"	2.88"	3.25"	TH	KT17SB		DEFR54-5	18N-4-3581-1X
6.02"	3.00"	3.38"	TH	KT17SB	30°		18N-4-3911-1
6.02"	3.00"	3.38"	TH	KT17SB	30°	DEFR55-2	18N-4-3921-1X
2.50" - 10 SPLINE							
5.88"	3.00"	3.75"	TH	KT17SB	30°		18N-4-3451-1
5.88"	3.00"	3.75"	TH	KT17SB	30°	DEFR62-1	18N-4-3551-1X
2.50" - 49 SPLINE							
5.88"	3.00"	3.75"	TH	KT17SB		DEFR62-1	18N-4-3621-1X

18N SERIES



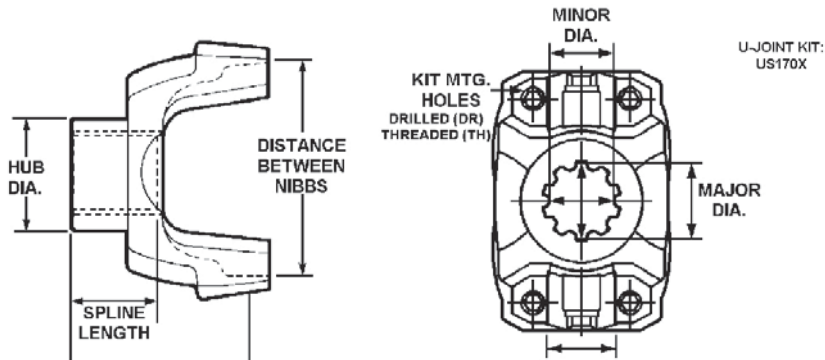
2.53" - 45 SPLINE							
5.50"	2.00"	3.15"	TH	KT17SB		DEFR66-1	18TYS40-9A
2.75" - 10 SPLINE							
6.00"	2.94"	3.38"	TH	KT17SB			18N-4-2171-1
6.06"	3.00"	3.75"	TH	KT17SB	30°		18N-4-3491-1
6.06"	3.00"	3.75"	TH	KT17SB	30°	DEFR62-1	18N-4-3561-1X
2.75" - 43 SPLINE							
4.99"	1.80"	3.75"	TH	KT17SB	32°	DEFR62-2	18TYS44-12A
2.79" - 54 SPLINE							
5.63"	2.75"		TH	KT17SB	32°		18TYS45

159N SERIES



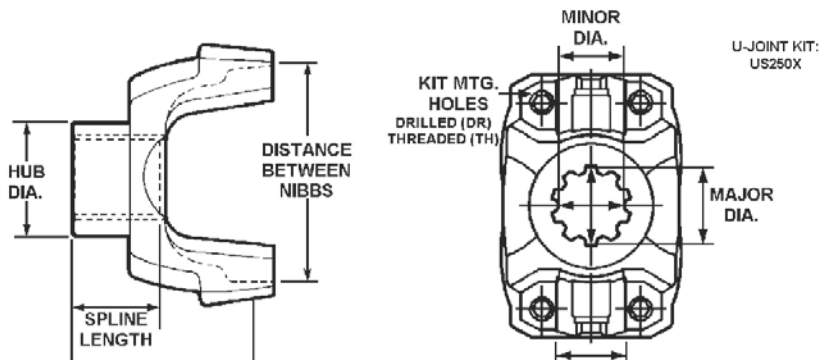
Center to End	Spline Length	Hub Diameter	Kit Mtg. Holes	Use Kit	Joint Angle	Deflector	Part Number
1.77" - 34 SPLINE							
4.11"	2.50"	2.50"	TH			DEFR40-4	159N-4-761-1X

170 SERIES



Center to End	Spline Length	Hub Diameter	Kit Mtg. Hole Drilled or Threaded	Use Kit	Deflector	Part Number
2.00" - 39 SPLINE						
6.39"	2.31"	3.00"				170TYS32-1
6.39"	2.31"	3.00"			DEFR50-7	170TYS32-1A
6.39"	2.31"	3.00"			DEFR50-6	170TYS32-1A2
5.09"	2.31"	3.00"				170TYS32-2
5.09"	2.31"	3.00"			DEFR50-7	170TYS32-2A
5.09"	2.31"	3.00"			DEFR50-4	170TYS32-2A2
2.375" - 46 SPLINE						
6.48"	2.323"	3.25"	TH		DEFR56-12	170TYS38-2A1
5.10"	2.32"	3.25"			DEFR56-7	170TYS38-4A
5.10"	2.32"	3.25"	TH		DEFR56-12	170TYS38-4A1

250 SERIES



Center to End	Spline Length	Hub Diameter	Kit Mtg. Hole Drilled or Threaded	Use Kit	Deflector	Part Number
2.375" - 46 SPLINE						
5.87"	2.375"	3.25"	TH		DEFR54-1	250TYS38-1A
5.32"	2.32"	3.25"			DEFR56-7	250TYS38-2A
5.32"	2.32"	3.25"			DEFR56-12	250TYS38-2A1

SECTION 5

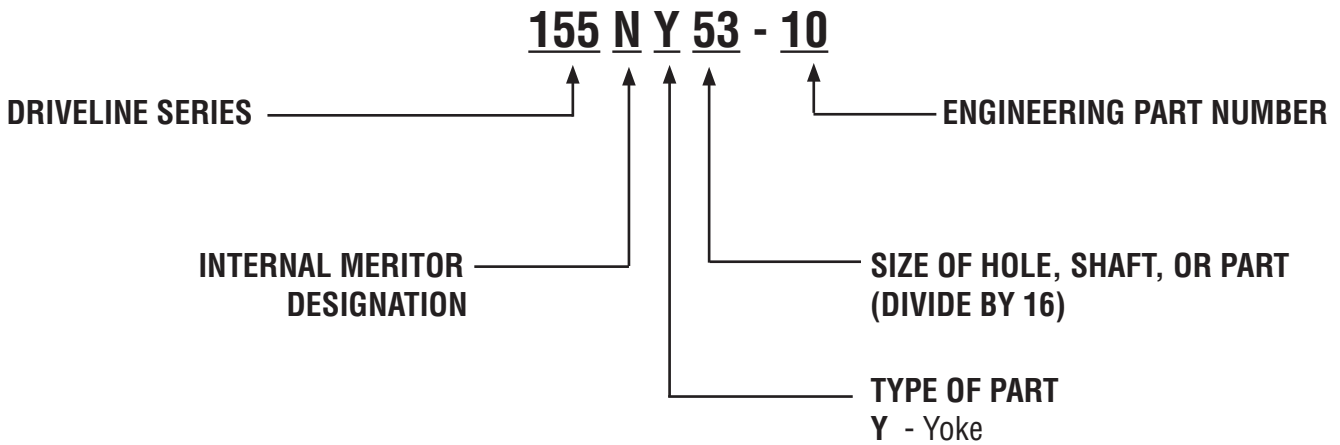
INDEX

Weld Yokes	Page
Bearing Plate	5-3
Inside Snap Rings	5-2
Outside Snap Rings	5-1
Wing Bearings	5-4

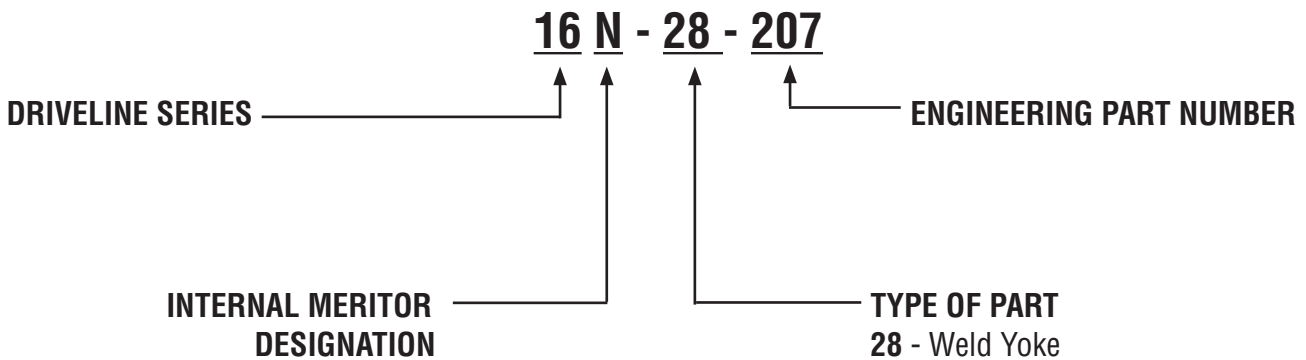
MERITOR NUMBERING SYSTEM

Meritor components may be identified by one of the numbering systems shown below. Aftermarket numbers are issued to make Meritor components easy to select when choosing a replacement component.

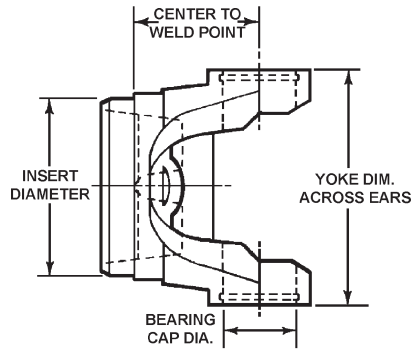
MERITOR ENGINEERING NUMBER



MERITOR AFTERMARKET NUMBER



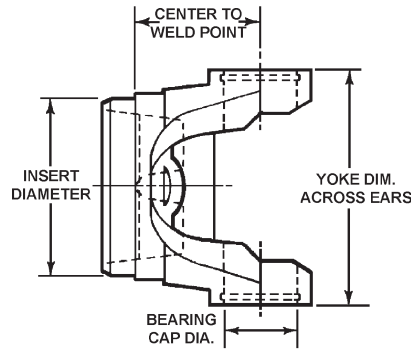
WELD YOKES — OUTSIDE SNAP RINGS



If tubing insert diameter requires machining to fit a tube, machine it to a diameter of .007" to .010" larger than the inside diameter of the tube for proper press fit.

Yoke Dimension Across Ears	Bearing Cap Diameter	Used with Tubing O.D. and Wall	Insert Diameter	Center to Weld Point	Joint Angle	Part Number
121N SERIES U-JOINT KIT: CP-443X						
2.688"	1.06"	2.50" x .065" (16 GA)	2.38"	1.31"		121N-28-1947
131N SERIES U-JOINT KIT: CP153X or CP200X						
3.47"	1.06"	2.00" x .065" (16 GA)	1.88"	1.69"	22°	131N-28-417
3.47"	1.06"	2.00" x .083" (14 GA)	1.84"	1.69"	22°	131N-28-357
3.47"	1.06"	2.00" x .120" (11 GA)	1.77"	1.69"	22°	131N-28-1757
3.47"	1.06"	2.50" x .065" (16 GA)	2.38"	1.84"	30°	131N-28-277
3.47"	1.06"	2.50" x .083" (14 GA)	2.34"	1.84"	30°	131N-28-367
3.47"	1.06"	2.75" x .065" (16 GA)	2.63"	1.69"	21.5°	131N-28-307
3.47"	1.06"	2.75" x .083" (14 GA)	2.59"	1.69"		131N-28-1617
3.47"	1.06"	3.00" x .065" (16 GA)	2.88"	1.69"	21.5°	131N-28-327
3.47"	1.06"	3.00" x .083" (14 GA)	2.84"	1.69"	21.5°	131N-28-437
3.47"	1.06"	3.50" x .065" (16 GA)	3.38"	1.69"	21.5°	131N-28-397
3.47"	1.06"	3.50" x .083" (14 GA)	3.34"	1.69"	21.5°	131N-28-427
133N SERIES U-JOINT KIT: CP213X						
3.88"	1.06"	2.50" x .083" (14 GA)	2.34"	1.72"	25°	133N-28-1707
3.88"	1.06"	3.00" x .065" (16 GA)	2.88"	1.72"	25°	133N-28-1177
3.88"	1.06"	3.00" x .083" (14 GA)	2.84"	1.72"	25°	133N-28-1697
3.88"	1.06"	3.50" x .065" (16 GA)	3.38"	1.81"		133N-28-1977
3.88"	1.06"	3.50" x .083" (14 GA)	3.34"	1.81"	20°	133N-28-1717
135N SERIES U-JOINT KIT: CP178X						
3.88"	1.19"	2.50" x .083" (14 GA)	2.34"	1.94"	20°	135N-28-47
3.88"	1.19"	2.75" x .065" (16 GA)	2.63"	2.00"	20°	135N-28-57-2
3.88"	1.19"	2.75" x .095" (13 GA)	2.56"	2.00"	20°	135N-28-57-1
3.88"	1.19"	3.00" x .083" (14 GA)	2.84"	2.00"	20°	135N-28-57
3.88"	1.19"	3.50" x .083" (14 GA)	3.34"	1.81"	20°	135N-28-427
141N SERIES U-JOINT KIT: CP141N or CP160X						
4.44"	1.19"	3.00" x .083" (14 GA)	2.84"	2.13"	30°	141N-28-97
4.44"	1.19"	3.50" x .065" (16 GA)	3.38"	2.13"	30°	141N-28-367
4.44"	1.19"	3.50" x .083" (14 GA)	3.34"	2.13"	30°	141N-28-557
148N SERIES U-JOINT KIT: CP148N or CP188X						
4.44"	1.38"	3.50" x .083" (14 GA)	3.34"	2.03"	22°	148N-28-537
4.44"	1.38"	3.50" x .083" (14 GA)	3.34"	2.31"	35°	148N-28-547
4.44"	1.38"	3.50" x .095" (13 GA)	3.31"	2.03"	22°	148N-28-567
4.44"	1.38"	4.00" x .083" (14 GA)	3.84"	2.03"	22.5°	148N-28-507

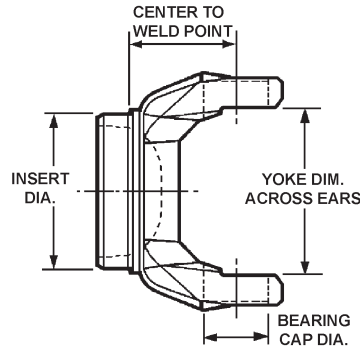
WELD YOKES — OUTSIDE SNAP RINGS



If tubing insert diameter requires machining to fit a tube, machine it to a diameter of .007" to .010" larger than the inside diameter of the tube for proper press fit.

Yoke Dimension Across Ears	Bearing Cap Diameter	Used with Tubing O.D. and Wall	Insert Diameter	Center to Weld Point	Joint Angle	Part Number
155N SERIES U-JOINT KIT: CP155N or CP155X						
5.25"	1.38"	3.50" x	3.33"	2.69"	36°	155NY53-5
5.25"	1.38"	3.50" x .095" (13 GA)	3.32"	2.19"		155N-28-307
5.25"	1.38"	4.00" x .083" (14 GA)	3.86"	2.50"	19°	155RY62
20R SERIES U-JOINT KIT: CP20RPL-1						
7.00"	2.06"	4.00" x .134" x , 4.06" x .180" , 4.09" x .164" x	3.74"	3.70"	30°	20RY60-6 ¹
7.00"	2.06"	4.00" x .134" x , 4.09" x .180"	3.74"	5.25"	39°	20RY60-7
25R SERIES U-JOINT KIT: CP25RPL-1						
8.33"	2.06"	4.59" x .180" (7 GA) 4.69" x .230"	4.24"	3.70"	24°	25RY68-3 ¹

WELD YOKES — INSIDE SNAP RINGS

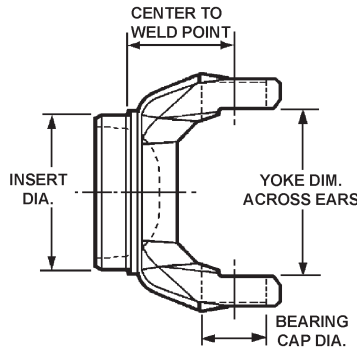


If tubing insert diameter requires machining to fit a tube, machine it to a diameter of .007" to .010" larger than the inside diameter of the tube for proper press fit.

Yoke Dimension Across Ears	Bearing Cap Diameter	Used with Tubing O.D. and Wall	Insert Diameter	Center to Weld Point	Joint Angle	Part Number
3R SERIES U-JOINT KIT: CP3147X						
2.56"	1.13"	2.75" x .065" (16 GA)	2.63"	1.75"	20°	R3R-28-307
2.56"	1.13"	3.00" x .065" (16 GA)	2.88"	1.69"	21.5°	R3R-28-327
2.56"	1.13"	3.00" x .083" (14 GA)	2.84"	1.69"	21.5°	R3R-28-437
2.56"	1.13"	3.00" x .095" (13 GA)	2.88"	1.69"	21.5°	R3R-28-157
2.56"	1.13"	3.25" x .065" (16 GA)	3.13"	1.88"	20°	R3R-28-325
2.56"	1.13"	3.50" x .065" (16 GA)	3.38"	1.88"	20°	R3R-28-397
2.56"	1.13"	3.50" x .083" (14 GA)	3.34"	1.69"	21.5°	R3R-28-427

¹ Has .25 in. diameter vent hole for use with less than 9 in. of tube.

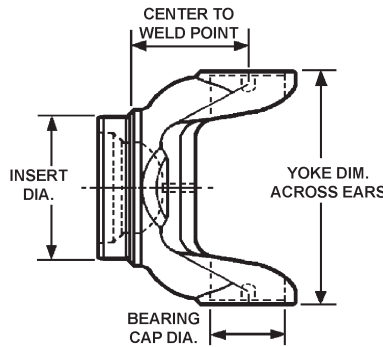
WELD YOKES — INSIDE SNAP RINGS



If tubing insert diameter requires machining to fit a tube, machine it to a diameter of .007" to .010" larger than the inside diameter of the tube for proper press fit.

Yoke Dimension Across Ears	Bearing Cap Diameter	Used with Tubing O.D. and Wall	Insert Diameter	Center to Weld Point	Joint Angle	Part Number
1000 and 10N SERIES						
U-JOINT KIT: CP170X						
1.50"	0.94"	2.00" x .083" (14 GA)	1.84"	1.75"		R10V5

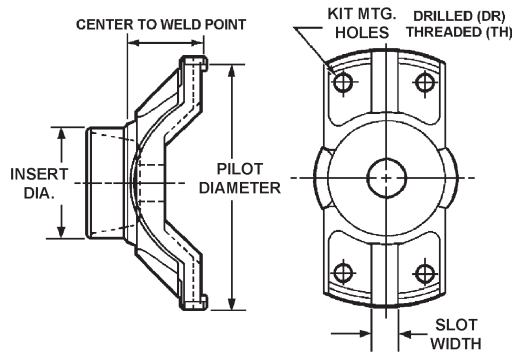
WELD YOKES — BEARING PLATE



If tubing insert diameter requires machining to fit a tube, machine it to a diameter of .007" to .010" larger than the inside diameter of the tube for proper press fit.

Yoke Dimension Across Ears	Bearing Cap Diameter	Used with Tubing O.D. and Wall	Insert Diameter	Center to Weld Point	Joint Angle	Part Number
16N SERIES						
U-JOINT KIT: M279X or CP279X						
5.31"	1.88"	3.50" x .156"	3.20"	3.00"	30°	16N-28-207
5.31"	1.88"	3.50" x .134" (10 GA)	3.24"	3.00"	30°	16N-28-627
5.31"	1.88"	3.50" x .134"	3.25"	3.81"		16N-28-887
5.31"	1.88"	3.50" x .095" (13 GA)	3.32"	3.00"	30°	16N-28-167
5.31"	1.88"	4.00" x .134"	3.73"	3.00"		16N-28-327
5.31"	1.88"	4.00" x .109" (12 GA)	3.79"	3.00"	19°	16NY61
176N SERIES						
U-JOINT KIT: M407X or CP407X						
7.00"	1.94"	4.00" x .134" (10 GA)	3.74"	3.03"	30°	176N-28-17
17N SERIES						
U-JOINT KIT: M280X or CP280X						
6.09"	1.94"	3.50" x .156"	3.20"	3.03"		17N-28-137
6.09"	1.94"	4.00" x .134" (10 GA)	3.74"	3.03"	30°	17N-28-347
6.09"	1.94"	4.00" x , 4.09" x .134" (10 GA), .180" (7 GA)	3.74"	4.50"	42°	17NY60-15
18N SERIES						
U-JOINT KIT: M281X or CP281X						
7.55"	1.94"	4.50" x .259" (3 GA)	4.00"	3.38"		18N-28-127
7.55"	1.94"	4.50" x .134" (10 GA)	4.24"	3.38"	30°	18N-28-117

WELD YOKES — WING BEARINGS



If tubing insert diameter requires machining to fit a tube, machine it to a diameter of .007" to .010" larger than the inside diameter of the tube for proper press fit.

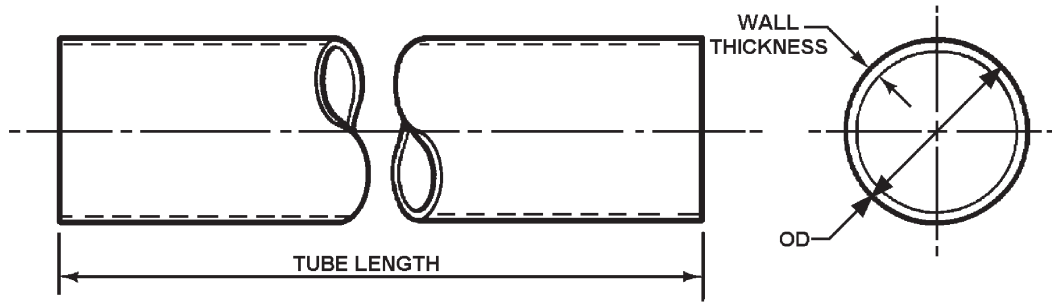
Pilot Diameter	Slot Width	Used with Tubing O.D. and Wall	Insert Diameter	Center to Weld Point	Kit Mounting Holes	Part Number
58WB SERIES		U-JOINT KIT: CP58WB-DWT, CP58WB-HB, CP58WB-HWD, or PERMALUBE				
5.31"	.63"	3.50" x .095" (13 GA)	3.32"	1.81"	DR	58WBY53-1
62N SERIES		U-JOINT KIT: CP62N-DWT, CP62N-HB, CP62N-HWD, or PERMALUBE				
5.53"	.56"	3.50" x .120" (11 GA)	3.27"	1.75"	TH	62NY52-7
5.53"	.56"	3.50" x .095" (13 GA)	3.32"	1.88"	DR	62NY53-1
72N SERIES		U-JOINT KIT: CP72N-DWT, CP72N-HB, CP72N-HWD, or PERMALUBE				
5.84"	.63"	3.50" x .134" (10 GA)	3.24"	2.13"	DR	72NY52-20
82N SERIES		U-JOINT KIT: CP82N-DWT, CP82N-HB, CP82N-HWD, or PERMALUBE				
8.13"	.63"	4.00" x .187"	3.63"	2.44"	DR	82NY58
8.13"	.63"	4.00" x .187"	3.63"	2.44"	TH	82NY58-2
8.13"	.63"	4.00" x .134" (10 GA)	3.74"	2.88"	DR	82NY60-19
85WB SERIES		U-JOINT KIT: CP85WB-DWT, CP85WB-HB, CP85WB-HWD, or PERMALUBE				
6.5"	.63"	4.00" x .134" (10 GA)	3.74"	2.63"	DR	85WBY60-11
92N SERIES		U-JOINT KIT: CP92N-DWT, CP92N-HB, CP92N-HWD, or PERMALUBE				
8.25"	.63"	4.50" x .259" (3 GA)	4.00"	2.75"	TH	92NY64
8.25"	.63"	4.50" x .187"	4.14"	2.25"	DR	92NY66
8.25"	.63"	4.50" x .134" (10 GA)	4.23"	2.75"	DR	92NY68-2

SECTION 6

INDEX

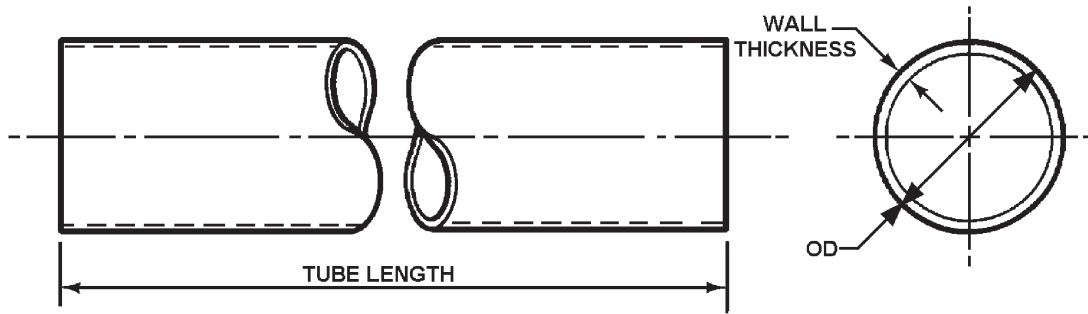
Tubing and Yoke & Tube Assemblies	Page
Tubing	6-1
Yoke and Tube Assemblies	
Bearing Plates	6-4

TUBING



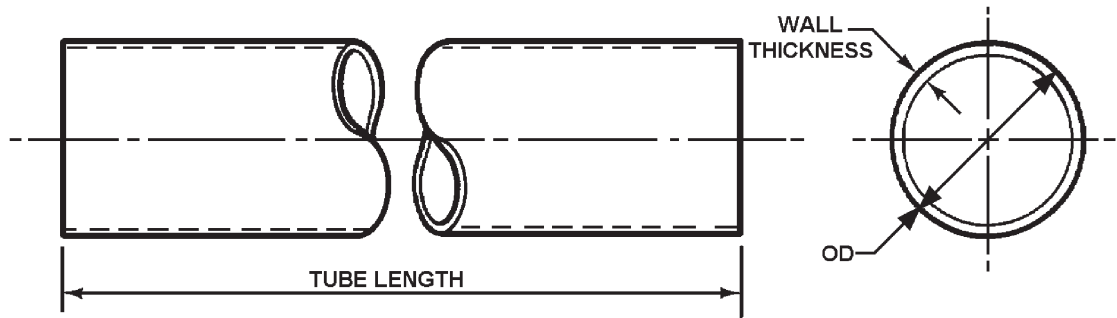
Outside Diameter	Wall Thickness	Length	Part Number
OD - 1.25"			
1.25"	.120" (11 GA)	72"	RT-125-11-72
1.25"	.120" (11 GA)	108"	RT-125-11-108
OD - 1.50"			
1.50"	.095" (13 GA)	72"	RT-15-13-72
1.50"	.095" (13 GA)	108"	RT-15-13-108
1.50"	.120" (11 GA)	72"	RT-15-11-72
1.50"	.120" (11 GA)	108"	RT-15-11-108
OD - 1.75"			
1.75"	.065" (16 GA)	72"	RT-175-16-72
1.75"	.065" (16 GA)	108"	RT-175-16-108
1.75"	.083" (14 GA)	108"	RT-175-14-108
1.75"	.120" (11 GA)	72"	RT-175-11-72
OD - 2.00"			
2.00"	.083" (14 GA)	72"	RT-2-14-72
2.00"	.083" (14 GA)	108"	RT-2-14-108
2.00"	.120" (11 GA)	72"	RT-2-11-72
OD - 2.25"			
2.25"	.120" (11 GA)	72"	RT-225-11-72
2.25"	.120" (11 GA)	108"	RT-225-11-108
OD - 2.38"			
2.38"	.083" (14 GA)	72"	RT-2375-14-72
2.38"	.083" (14 GA)	108"	RT-2375-14-108
OD - 2.50"			
2.50"	.065" (16 GA)	72"	RT-25-16-72
2.50"	.065" (16 GA)	108"	RT-25-16-108
2.50"	.083" (14 GA)	72"	RT-25-14-72
2.50"	.083" (14 GA)	108"	RT-25-14-108
OD - 2.75"			
2.75"	.083" (14 GA)	72"	RT-275-14-72
2.75"	.083" (14 GA)	108"	RT-275-14-108
2.75"	.095" (13 GA)	72"	RT-275-13-72
2.75"	.095" (13 GA)	108"	RT-275-13-108
2.75"	.134" (10 GA)	108"	RT-275-10-108

TUBING



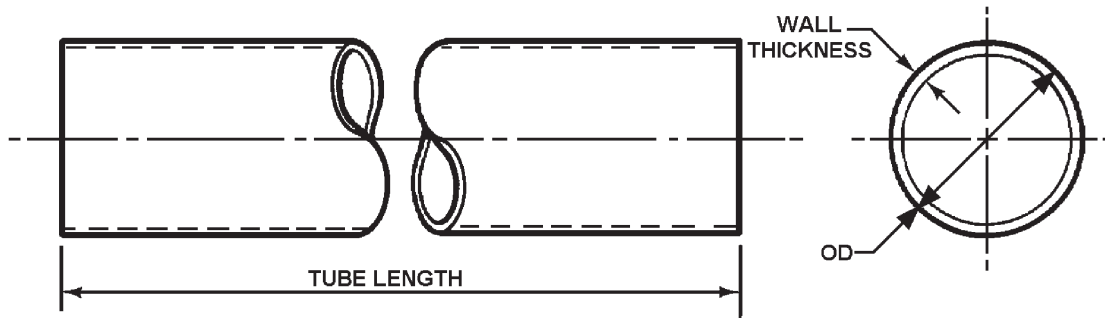
Outside Diameter	Wall Thickness	Length	Part Number
OD - 3.00"			
3.00"	.065" (16 GA)	72"	RT-3-16-72
3.00"	.065" (16 GA)	108"	RT-3-16-108
3.00"	.083" (14 GA)	72"	RT-3-14-72
3.00"	.083" (14 GA)	108"	RT-3-14-108
3.00"	.095" (13 GA)	72"	RT-3-13-72
3.00"	.095" (13 GA)	108"	RT-3-13-108
3.00"	.120" (11 GA)	72"	RT-3-11-72
3.00"	.120" (11 GA)	108"	RT-3-11-108
3.00"	.187"	72"	RT-3-187-72
3.00"	.187"	108"	RT-3-187-108
OD - 3.25"			
3.25"	.095" (13 GA)	72"	RT-325-13-72
3.25"	.095" (13 GA)	108"	RT-325-13-108
3.25"	.120" (11 GA)	72"	RT-325-11-72
3.25"	.120" (11 GA)	108"	RT-325-11-108
3.25"	.187"	72"	RT-325-187-72
OD - 3.50"			
3.50"	.065" (16 GA)	72"	RT-35-16-72
3.50"	.065" (16 GA)	108"	RT-35-16-108
3.50"	.083" (14 GA)	72"	RT-35-14-72
3.50"	.083" (14 GA)	108"	RT-35-14-108
3.50"	.095" (13 GA)	72"	RT-35-13-72
3.50"	.095" (13 GA)	108"	RT-35-13-108
3.50"	.120" (11 GA)	72"	RT-35-11-72
3.50"	.120" (11 GA)	108"	RT-35-11-108
3.50"	.134" (10 GA)	72"	RT-35-10-72
3.50"	.134" (10 GA)	108"	RT-35-10-108
3.50"	.156"	72"	RT-35-156-72
3.50"	.156"	108"	RT-35-156-108

TUBING



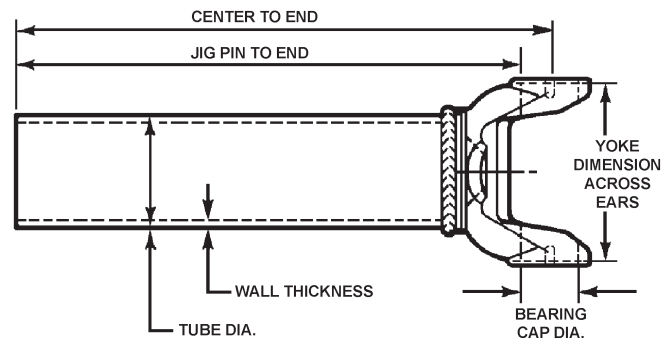
Outside Diameter	Wall Thickness	Length	Part Number
OD - 4.00"			
4.00"	.083" (14 GA)	72"	RT-4-14-72
4.00"	.083" (14 GA)	108"	RT-4-14-108
4.00"	.109" (12 GA)	72"	RT-4-12-72
4.00"	.109" (12 GA)	108"	RT-4-12-108
4.00"	.134" (10 GA)	72"	RT-4-10-72
4.00"	.134" (10 GA)	108"	RT-4-10-108
4.00"	.187"	72"	RT-4-187-72
4.00"	.187"	108"	RT-4-187-108
4.00"	.095" (13 GA)	72"	RT-4-13-72
4.00"	.095" (13 GA)	108"	RT-4-13-108
OD - 4.095"			
4.095"	.180" (7 GA)	72"	RT-4095-7-72
4.095"	.180" (7 GA)	108"	RT-4095-7-108
OD - 4.50"			
4.50"	.095" (13 GA)	72"	RT-45-13-72
4.50"	.095" (13 GA)	108"	RT-45-13-108
4.50"	.134" (10 GA)	72"	RT-45-10-72
4.50"	.134" (10 GA)	108"	RT-45-10-108
4.50"	.187"	72"	RT-45-187-72
4.50"	.187"	108"	RT-45-187-108
4.50"	.259" (3 GA)	72"	RT-45-3-72
4.50"	.259" (3 GA)	108"	RT-45-3-108
4.50"	.375"	72"	RT-45-375-72
4.50"	.375"	108"	RT-45-375-108
OD - 4.59"			
4.59"	.180" (7 GA)	72"	RT-459-7-72
4.59"	.180" (7 GA)	108"	RT-459-7-108
OD - 4.72"			
4.72"	.197"	72"	RT-472-197-72
4.72"	.197"	108"	RT-472-197-108
OD - 4.96"			
4.96"	.118"	72"	RT-496-118-72

TUBING



Outside Diameter	Wall Thickness	Length	Part Number
OD - 5.059"			
5.059"	.167"	72"	RT-5059-167-72
5.059"	.167"	108"	RT-5059-167-108
OD - 5.118"			
5.118"	.197"	72"	RT-5118-197-72
OD - 5.197"			
5.197"	.236"	72"	RT-5197-236-72
5.197"	.236"	108"	RT-5197-236-108

YOKE AND TUBE ASSEMBLIES — BEARING PLATES



Yoke Dimension Across Ears	Bearing Cap Dia.	Tubing O.D. and Wall	Tubing Base Part No.	Jig Pin to End	Center to End	Weld Yoke	Part Number
5.31"	1.88"	3.50" x .134" (10 GA)	RT-35-10	37.06"	38.00"	16N-28-627	983-14-2
5.31"	1.88"	3.50" x .134" (10 GA)	RT-35-10	65.06"	66.00"	16N-28-627	983-15-2

SECTION 7

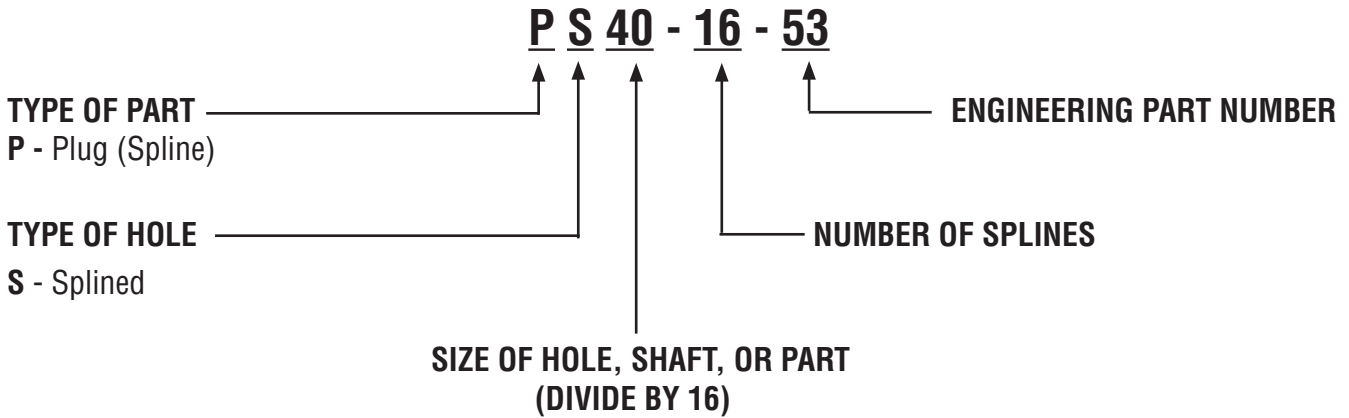
INDEX

Bearing Stubs and Spline Plugs	Page
BEARING STUBS	
Non-Slip	7-1
Slip	7-2
SPLINE PLUGS	
Spline Plugs	7-3

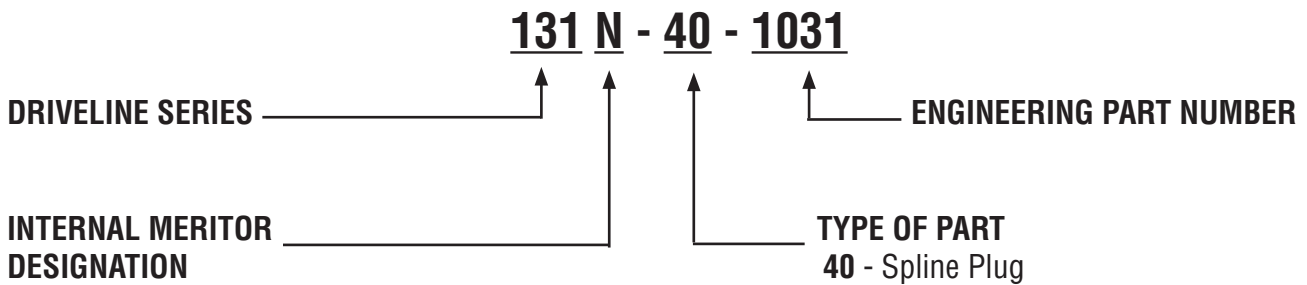
MERITOR NUMBERING SYSTEM

Meritor components may be identified by one of the numbering systems shown below. Aftermarket numbers are issued to make Meritor components easy to select when choosing a replacement component.

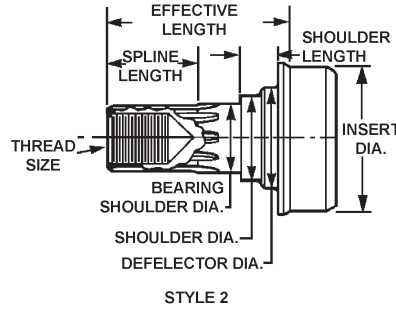
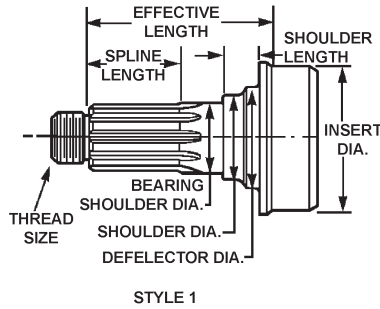
MERITOR ENGINEERING NUMBER



MERITOR AFTERMARKET NUMBER

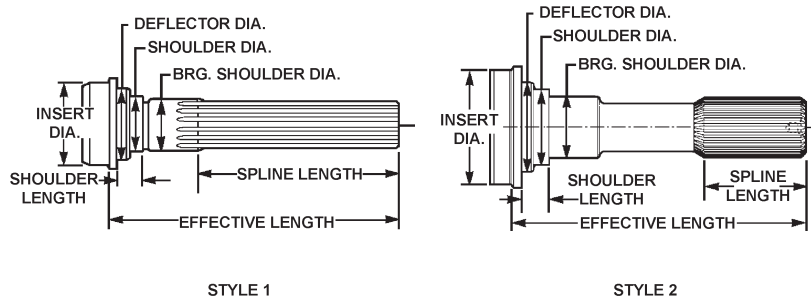


BEARING STUBS — NON—SLIP



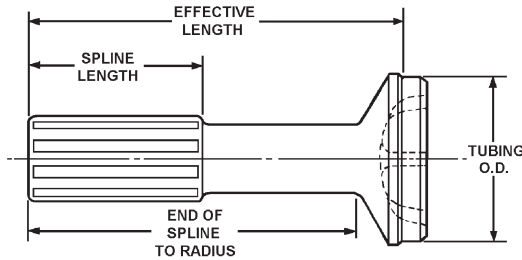
Bearing Shoulder Dia.	Shoulder Length	Shoulder Dia.	Deflector Dia.	Spline Length	Thread Size	Style	Effective Length	Use with Tubing O.D. and Wall	Insert Dia.	Part Number
1.50" - 10 SPLINE										
1.57"	.81"	1.94"	2.31"	1.88"	.75" - 16	1	4.03"	3.50" x .083" (14 GA)	3.35"	BSS24-52A
1.57"	.81"	1.94"	2.31"	1.88"	.75" - 16	1	4.03"	3.50" x .095" (13 GA)	3.32"	BSS24-53
1.57"	.81"	1.94"	2.31"	1.88"	.75" - 16	1	4.03"	3.50" x .095" (13 GA)	3.32"	BSS24-53A
1.57"	.88"	1.72"		1.81"	.75" - 16	2	3.88"	3.50" x .083" (14 GA)	3.34"	141N-53-1081
1.57"	.88"	1.94"	2.31"	1.88"	.75" - 16	1	4.03"	3.50" x .083" (14 GA)	3.35"	BSS24-52
1.77"	.81"	2.19"	2.56"	1.88"	.75" - 16	1	4.06"	3.50" x .095" (13 GA)	3.32"	BSS24-60A
1.75" - 10 SPLINE										
1.77"	.81"	2.19"		2.28"	1.25" - 18	1	4.34"	4.00" x .134" (10 GA)		16N-53-191
1.77"	.81"	2.19"	2.56"	2.06"	1.25" - 18	1	4.34"	3.50" x .134" (10 GA)	3.24"	16N-53-141
1.77"	.81"	2.19"	2.57"	2.28"	.88" - 14	2	4.53"	3.50" x .095" (13 GA)	3.32"	BSS28-92
1.95" - 10 SPLINE										
1.97"	.81"	2.43"	2.81"	2.88"	1.25" - 18	1	5.16"	3.50" x .156"	3.20"	17N-53-151
1.97"	.81"	2.44"	2.81"	2.88"	1.25" - 18	1	5.16"	4.00" x .134" (10 GA)	3.74"	17N-53-201
1.97"	.81"	2.44"	2.81"	2.88"	1.25" - 18	1	5.15"	4.00" x .134" (10 GA)	3.74"	BSS31-18
1.95" - 38 SPLINE										
1.97"	.81"	2.44"		2.84"	1.25" - 18	1	5.15"	4.00" x .134" (10 GA)		17N-53-411
1.96" - 10 SPLINE										
1.97"	.81"	2.44"		2.88"	1.25" - 18	1	5.16"	4.50" x .134" (10 GA)		17N-53-241
2.00" - 38 SPLINE										
1.97"	.81"	2.44"	2.81"	2.88"	1.25" - 18	1	5.16"	4.00" x .134" (10 GA)	3.74"	BSS32-34
2.25" - 10 SPLINE										
2.36"	1.97"	2.88"	2.90"	2.56"	1.25" - 18	1	5.28"	4.50" x .259" (3 GA)	4.00"	BSS36-10
2.34" - 16 SPLINE										
2.36"	.81"	2.87"	3.32"	2.63"	1.25" - 18	1	5.31"	4.09" x .180" (7 GA)	3.74"	17N-53-311
2.36"	.81"	2.87"	3.32"	2.63"	1.25" - 18	1	5.31"	4.50" x .259" (3 GA)	4.00"	18N-53-51
2.36"	.81"	2.87"	3.32"	2.63"	1.25" - 18	1	5.31"	4.50" x .134" (10 GA)	4.24"	18N-53-91
2.35" - 46 SPLINE										
2.36"	.81"	2.88"	3.32"	2.53"	1.25" - 18	1	5.31"	4.00" x .134" (10 GA) 4.06" x .165"	3.74"	176N-53-21
2.36"	.81"	2.88"	3.32"	2.53"	1.25" - 18	1	5.31"	4.09" x .180" (7 GA) 4.59" x .180" (7 GA)	4.24"	18N-53-171

BEARING STUBS — SLIP



Bearing Shoulder Dia.	Shoulder Length	Shoulder Dia.	Deflector Dia.	Spline Length	Style	Effective Length	Use with Tubing O.D. and Wall	Insert Dia.	Part Number
1.38" - 15 SPLINE									
1.38"	.81"	1.69"		2.50"	2	8.84"	3.00" x .083" (14 GA)	2.84"	131N-53-711
1.38"	.81"	1.69"		2.50"	2	8.84"	2.75" x .065" (16 GA)	2.63"	131N-53-711-1
1.38" - 15 (Based on 16 Spline) SPLINE									
1.38"	.81"	1.69"		2.50"	2	8.88"	3.00" x .065" (16 GA)		121N-53-691
1.38"	.81"	1.69"		5.41"	1	8.00"	2.50" x .083" (14 GA)		121N-53-471
1.38"	.81"	1.69"		5.41"	1	8.00"	3.00" x .083" (14 GA)		121N-53-501
1.38"	1.13"	1.72"		4.97"	1	8.09"	2.50" x .083" (14 GA)		135N-53-1351
1.38" - 16 SPLINE									
1.38"	.81"	1.69"		4.44"	1	7.03"	3.00" x .083" (14 GA)	2.84"	141N-53-1371
1.38"	1.13"	1.72"		4.97"	1	8.09"	3.00" x .083" (14 GA)	2.84"	141N-53-1361
1.38" - 31 SPLINE									
1.38"	1.13"	1.72"	1.75"	3.38"	2	8.81"	3.00" x .083" (14 GA)	2.84"	135N-53-1181
1.38"	1.13"	1.72"	1.75"	3.38"	2	8.81"	2.75" x .095" (13 GA)	2.59"	135N-53-1181-1
1.38"	1.13"	1.72"	1.75"	3.38"	2	8.81"	2.75" x .065" (16 GA)	2.63"	135N-53-1181-2
1.50" - 16 SPLINE									
1.58"	.88"	1.81"	2.16"	2.00"	2	7.06"	3.00" x .083" (14 GA)	2.84"	141N-53-1031
1.56" - 16 SPLINE									
1.58"	.81"	1.94"	2.31"	5.94"	2	8.53"	3.50" x .083" (14 GA)	3.35"	148N-53-451
1.75" - 16 SPLINE									
1.77"	.81"	2.19"	2.56"	2.94"	2	8.62"	3.50" x .095" (13 GA)	3.33"	155N-53-61

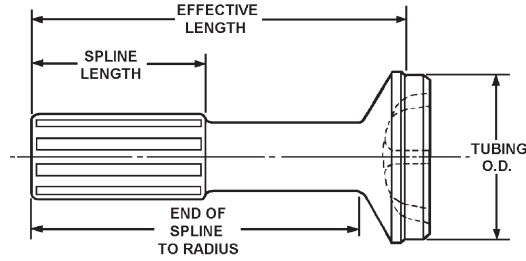
SPLINE PLUGS



If tubing insert diameter requires machining to fit a tube, machine it to a diameter of .007" to .010" larger than the inside diameter of the tube for proper press fit.

Spline Length	Effective Length	Use with Tubing O.D. and Wall	Tubing Insert Diameter	End of Spline to Radius	Nylon Coated Spline	Part Number
1.25" - 16 SPLINE						
2.00"	6.00"	2.00" x .083" (14 GA)	1.84"	5.41"	Yes	121N-40-1741
2.00"	6.13"	1.25" x .120" (11 GA)	1.03"	5.38"	Yes	131N-40-1771
2.00"	6.13"	2.50" x .065" (16 GA)	2.37"	5.41"	Yes	121N-40-2211
2.50"	7.75"	2.50" x .065" (16 GA)	2.37"	7.03"	Yes	121N-40-2301
1.38" - 16 SPLINE						
2.25"	5.19"	2.00" x .083" (14 GA)	1.84"	4.63"	Yes	131N-40-1031
2.25"	6.19"	2.00" x .120" (11 GA)	1.76"	5.63"	Yes	131N-40-1701
2.25"	6.28"	2.50" x .065" (16 GA)	2.37"	5.56"	Yes	131N-40-1251
2.25"	6.34"	2.50" x .065" (16 GA)	2.37"	5.63"	Yes	131N-40-1811
2.25"	6.34"	2.50" x .083" (14 GA)	2.34"	5.63"	Yes	131N-40-1711
2.25"	6.44"	3.00" x .065" (16 GA)	2.87"	5.63"	Yes	131N-40-1221
2.25"	6.44"	3.00" x .083" (14 GA)	2.84"	5.63"	Yes	131N-40-1521
2.25"	6.56"	3.50" x .065" (16 GA)	3.37"	5.56"	Yes	131N-40-1231
2.25"	6.84"	2.50" x .065" (16 GA)	2.37"	6.13"	Yes	131N-40-1291
2.25"	7.53"	2.50" x .083" (14 GA)	2.34"	6.81"	Yes	131N-40-1851
2.25"	7.63"	3.00" x .065" (16 GA)	2.87"	6.81"	Yes	131N-40-2051
6.78"	8.64"	3.00" x .083" (14 GA)	2.84"	7.83"	Yes	131N-40-1871
6.97"	8.97"	3.50" x .083" (14 GA)	3.34"	7.97"	Yes	131N-40-2091
6.97"	8.97"	3.50" x .083" (14 GA)	3.34"	7.97"	Yes	131N-40-2091
1.50" - 16 SPLINE						
2.50"	5.63"	2.50" x .083" (14 GA)	2.34"	4.97"	Yes	135N-40-1471
2.50"	5.94"	3.00" x .083" (14 GA)	2.84"	5.13"	Yes	135N-40-1101
2.50"	7.25"	3.00" x .083" (14 GA)	2.84"	6.44"	Yes	135N-40-1611
2.50"	7.34"	3.50" x .083" (14 GA)	3.34"	6.41"	Yes	135N-40-1561
3.00"	6.56"	3.50" x .083" (14 GA)	3.34"	5.63"	Yes	135N-40-1531
3.00"	7.53"	3.50" x .083" (14 GA)	3.34"	6.59"	Yes	135N-40-1491
1.56" - 16 SPLINE						
3.00"	6.75"	3.50" x .083" (14 GA)	3.34"	5.81"	Yes	148N-40-1571
3.00"	8.75"	3.50" x .083" (14 GA)	3.34"	7.81"	Yes	148N-40-1391
1.75" - 10 SPLINE						
5.88"	8.00"	3.00" x .095" (13 GA)	2.81"	7.33"	No	62NPS28

SPLINE PLUGS

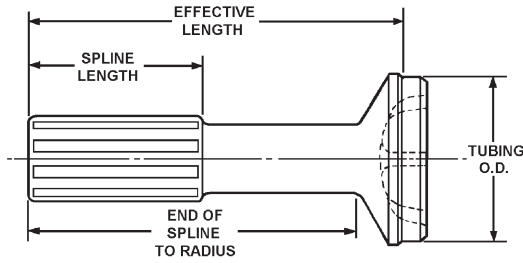


If tubing insert diameter requires machining to fit a tube, machine it to a diameter of .007" to .010" larger than the inside diameter of the tube for proper press fit.

Spline Length	Effective Length	Use with Tubing O.D. and Wall	Tubing Insert Diameter	End of Spline to Radius	Nylon Coated Spline	Part Number
1.75" - 16 SPLINE						
3.00"	6.78"	3.50" x .095" (13 GA)	3.32"	5.81"	Yes	155N-40-761
3.00"	7.50"	3.50" x .095" (13 GA)	3.32"	6.50"	Yes	PS28-16-13
3.00"	8.72"	3.50" x .095" (13 GA)	3.32"	7.63"	No	50NPS28-45
3.00"	9.22"	3.50" x .095" (13 GA)	3.32"		Yes	PS28-16-8
3.00"	9.22"	3.50" x .095" (13 GA)	3.32"	8.25"	Yes	155N-40-721
3.00"	9.66"	3.50" x .095" (13 GA)	3.32"	8.63"	Yes	62NPS28-4
3.80"	10.70"	4.00" x .083" (14 GA)	3.85"		Yes	BPS28-16-1
2.00" - 16 SPLINE						
3.33"	10.26"	4.00" x .109" (12 GA)	3.79"		Yes	PS32-16-77
3.33"	9.69"	3.50" x .134" (10 GA)	3.24"	8.75"	Yes	PS32-16-28
3.34"	9.69"	3.50" x .134" (10 GA)	3.24"	8.75"	Yes	16N-40-1011
3.50"	10.19"	3.50" x .134" (10 GA)		9.28"	Yes	16N-40-1041
3.50"	7.56"	3.50" x .134" (10 GA)		6.66"	Yes	16N-40-1191
3.50"	9.84"	4.00" x .134" (10 GA)		8.78"	Yes	16N-40-1051
3.66"	10.50"	3.50" x .134" (10 GA)	3.24"	9.50"	No	PS32-16-30
4.70"	9.56"	4.00" x .109" (12 GA)	3.79"		Yes	PS32-16-76
2.50" - 10 SPLINE						
4.00"	10.34"	3.50" x .156"	3.20"	9.50"	No	17N-40-61
4.50"	10.00"	4.00" x .109" (12 GA)	3.79"	8.86"	No	82NPS40
2.50" - 16 SPLINE						
3.00"	9.25"	4.00" x .180" (7 GA)	3.63"	8.25"	Yes	PS40-16-34
3.69"	11.06"	4.00" x .134" (10 GA)	3.74"	10.00"	Yes	PS40-16-49*
3.70"	10.67"	4.00" x .134" (10 GA)	3.74"		Yes	PS40-16-62
3.92"	10.56"	4.00" x .134" (10 GA)	3.74"	9.08"	Yes	PS40-16-56
3.92"	10.56"	4.00" x .134" (10 GA)	3.74"	9.56"	Yes	17N-40-521
3.92"	10.56"	4.00" x .134" (10 GA)	3.74"		Yes	PS40-16-15
3.92"	9.25"	4.00" x .134" (10 GA)	3.74"	8.25"	Yes	17N-40-541
4.00"	10.66"	4.50" x .134" (10 GA)		9.47"	Yes	17N-40-621
4.00"	9.50"	4.50" x .134" (10 GA)		8.31"	Yes	17N-40-631
4.70"	9.92"	4.00" x .134" (10 GA)	3.74"		Yes	PS40-16-61
3.00" - 10 SPLINE						
9.00"	11.19"	4.50" x .259" (3 GA)	4.00"	10.25"	No	PS48-10-1

*Also can be used with 4.095" x .180" (7 GA) tubing.

SPLINE PLUGS



If tubing insert diameter requires machining to fit a tube, machine it to a diameter of .007" to .010" larger than the inside diameter of the tube for proper press fit.

Spline Length	Effective Length	Use with Tubing O.D. and Wall	Tubing Insert Diameter	End of Spline to Radius	Nylon Coated Spline	Part Number
3.00" - 16 SPLINE						
4.28"	11.25"	4.50" x .134" (10 GA)	4.24"	10.03"	Yes	18N-40-191
4.28"	11.25"	4.50" x .259" (3 GA)	4.00"	10.03"	Yes	PS48-16-1
4.28"	11.53"	4.50" x .259" (3 GA)	4.00"	10.22"	Yes	PS48-16-16
4.28"	9.47"	4.50" x .134" (10 GA)	4.24"	8.41"	Yes	18N-40-201
4.28"	9.47"	4.50" x .259" (3 GA)	4.00"	8.41"	Yes	PS48-16-19
4.29"	11.25"	4.59" x .180" (7 GA)	4.24"		Yes	PS48-16-5
4.70"	10.13"	4.59" x .180" (7 GA)	4.24"		Yes	25RPL-SLIP³
4.70"	10.13"	4.59" x .180" (7 GA)	4.24"		Yes	PS48-16-38

COUPLING AND SLIP KITS

KIT-17N-COUP Coupling Kit			KIT-17N-SLIP 17N Slip Kit		
Part Number	Description	Qty	Part Number	Description	Qty
17N 28 347	WELD YOKE	1	17N 28 347	WELD YOKE	1
176N 53 21	STUB SHAFT	1	17N 40 521	SPLINE PLUG	1
CB210661 1XSA	SUPPORT BRKT SA	1	17N 3 2651X MXL	SLIP YOKE- MXL	1
1227Z 936	NUT	1			
WAR21 1	WASHER-RETAINER	1			
KIT-20R-COUP Coupling Kit			25RPL-SLIP 25RPL Slip Kit		
Part Number	Description	Qty	Part Number	Description	Qty
CP20 RPLS	RPL UJOINT	3	25RSL48 1A1S	SLIP YOKE	1
20RSL40 11A1S	SLIP YOKE	1	PS48 16 38	SPLINE PLUG	1
CB210661 1XSA	SUPPORT BRKT SA	1			
PS40 16 61	SPLINE PLUG	1	KIT-20R-SLIP SLIP-UJ-PLUG KT		
176N 53 21	STUB SHAFT	1	Part Number	Description	Qty
20WYSC38 18	END YOKE	1	20RSL40 11A1S	SLIP YOKE	1
			17N 40 521	SPLINE PLUG	1
			CP20 RPLS	RPL UJOINT	2
KIT-25R-COUP Coupling Kit			KIT-25SLIP&UJT SLIP & UJT KIT		
Part Number	Description	Qty	Part Number	Description	Qty
CP25 RPL S	RPL UJOINT	3	25RSL48 1A1S	SLIP YOKE	1
25RSL48 1A1S	SLIP YOKE	1	PS48 16 38	SPLINE PLUG	1
CB210661 1XSA	SUPPORT BRKT SA	1	CP25 RPL S	RPL UJOINT	2
PS48 16 38	SPLINE PLUG	1			
18N 53 171	STUB SHAFT	1			
25WYSC38 11	END YOKE	1			
1227Z 936	NUT	1			
WAR21 1	WASHER-RETAINER	1			

SECTION 8

INDEX

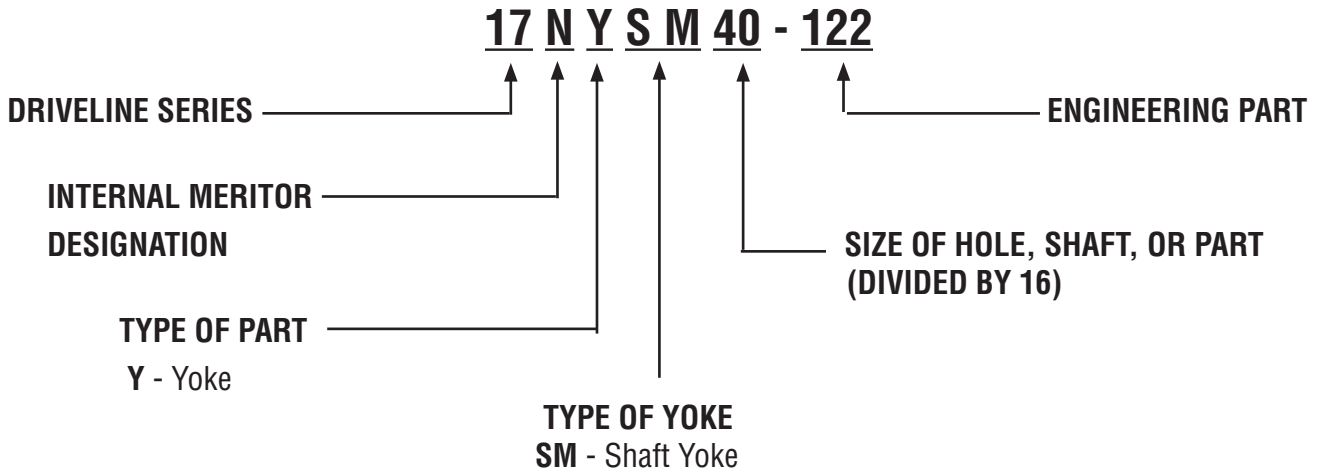
Shaft Yokes	Page
AXLE SHAFT YOKES	
Round Bearings	8-1
SHAFT YOKES	
Wing Bearings	8-3

MERITOR NUMBERING SYSTEM

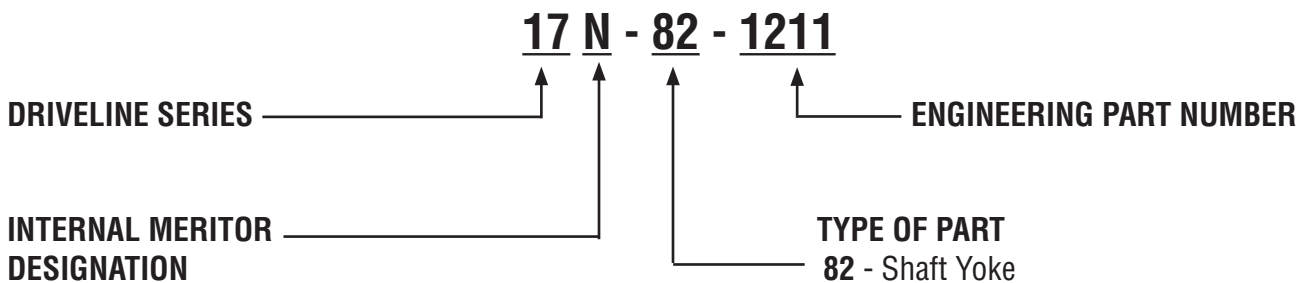
Meritor components may be identified by one of the numbering systems shown below.

Aftermarket numbers are issued to make Meritor components easy to select when choosing a replacement component.

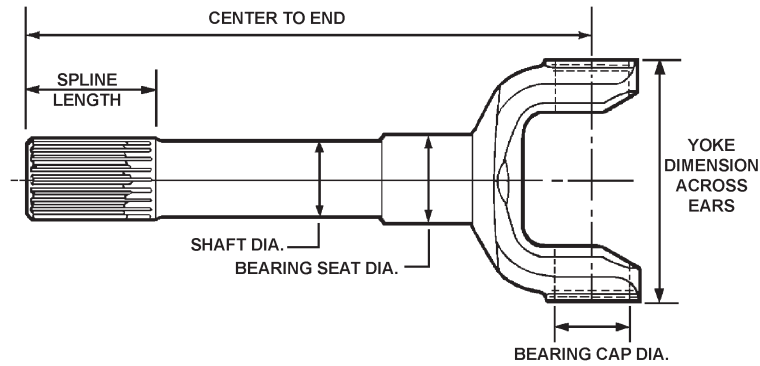
MERITOR ENGINEERING NUMBER



MERITOR AFTERMARKET NUMBER

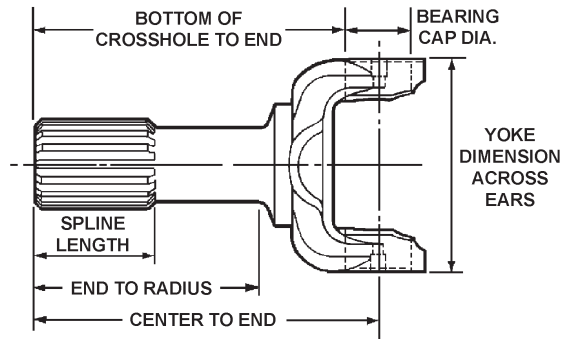


AXLE SHAFT YOKES — ROUND BEARINGS



Spline Size	Center to End	Spline Length	Shaft Diameter	Yoke Dimension Across Ears	Bearing Cap Diameter	Bearing Seat Diameter	Part Number
750N SERIES		U-JOINT KIT: CP750N, CP750N-1, or CP750N-4					
1.66" - 39	13.28"	2.38"	1.64"	5.19"	1.63"	1.66"	750NYSM27-12
1.66" - 39	30.91"	2.38"	1.64"	5.19"	1.63"	1.66"	750NYSM27-13
1.75" - 34	12.73"	1.75"	1.63"	5.19"	1.63"	1.80"	750NYSM28-112
850N SERIES		U-JOINT KIT: CP850N-4					
1.75" - 16	18.00"	2.63"	1.50"	6.06"	1.94"	2.25"	850NYSM28-2
1.88" - 16	18.00"	2.38"	1.69"	6.06"	1.94"	2.25"	850NYSM30-20
1.88" - 20	32.72"	2.38"	1.75"	6.06"	1.94"	2.25"	850NYSM30-25
2.00" - 21	14.05"	3.00"	1.94"	6.06"	1.94"	2.25"	850NYSM32-18
950N SERIES		U-JOINT KIT: CP950N					
2.38" - 24	13.38"	3.31"	2.20"	7.89"	2.50"	2.45"	950NYSM38-1
2.38" - 24	31.63"	2.88"	2.20"	7.89"	2.50"	2.63"	950NYSM38-15
2.75" - 46	30.88"	3.03"	2.20"	7.89"	2.50"	2.63"	950NYSM38-20
2.75" - 46	32.97"	9.14"	2.20"	7.89"	2.50"	2.63"	950NYSM38-21

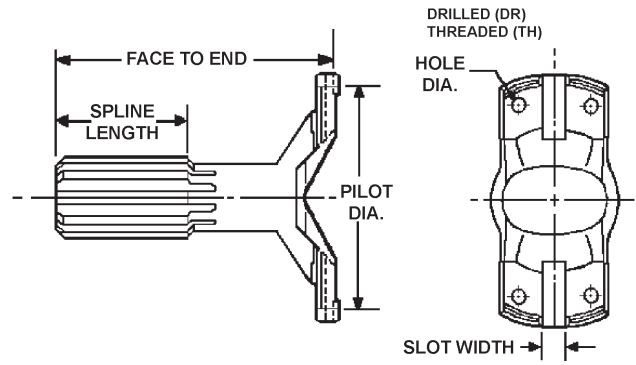
SHAFT YOKES — ROUND BEARINGS



NOTE: ALL SPLINES ARE NYLON COATED.

Spline Size	Center to End	Spline Length	End to Radius	Yoke Dimension Across Ears	Bearing Cap Diameter	Bottom of Crosshole to End	Joint Angle	Part Number
17N SERIES		U-JOINT KIT: M280X or CP280X						
2.50" - 16	8.16"	3.00"	5.22"	6.09"	1.94"	7.19"	31°	17N-82-1211
2.50" - 16	9.50"	3.50"	6.88"	6.09"	1.94"	8.53"		17NYSM40-122
2.50" - 16	10.03"	3.50"	6.69"	6.09"	1.94"	9.06"	31°	17N-82-1171-1
2.50" - 16	10.66"	3.50"	7.31"	6.09"	1.94"	9.69"	31°	17N-82-1171-12
2.50" - 16	11.16"	3.50"	7.81"	6.09"	1.94"	10.19"	31°	17N-82-1171-2
2.50" - 16	12.12"	2.73"	11.15"	6.09"	1.94"	11.15"	45°	17NYSM40-177
2.50" - 16	13.00"	3.50"	9.59"	6.09"	1.94"	12.03"	31°	17N-82-1171-5
2.50" - 16	13.13"	3.23"	8.88"	6.09"	1.94"	12.16"	45°	17NYSM40-169
2.50" - 16	13.16"	4.00"	9.47"	6.09"	1.94"	12.19"	31°	17N-82-1091-2
2.50" - 16	13.59"	3.23"	9.34"	6.09"	1.94"	12.62"	45°	17NYSM40-173
2.50" - 16	14.41"	3.73"	10.16"	6.09"	1.94"	13.44"	45°	17NYSM40-172
2.50" - 16	14.75"	4.00"	9.94"	6.09"	1.94"	13.78"	45°	17N-82-1061-8
2.50" - 16	15.03"	4.00"	10.22"	6.09"	1.94"	14.06"	45°	17N-82-1061-3
2.50" - 16	16.28"	3.73"	11.47"	6.09"	1.94"	15.31"	45°	17NYSM40-170
2.50" - 16	16.88"	4.00"	12.06"	6.09"	1.94"	15.91"	45°	17N-82-1061-4
2.50" - 16	17.50"	4.00"	12.69"	6.09"	1.94"	16.53"	45°	17N-82-1061-9
20R SERIES		U-JOINT KIT: CP20RPLS						
2.50" - 16	13.45"	3.45"	9.42"	7.00"	2.06"	12.42"	42°	20RYSM40-47
2.50" - 16	13.70"	3.45"	9.42"	7.00"	2.06"	12.67"	42°	20RYSM40-48
2.50" - 16	14.20"	3.45"	9.73"	7.00"	2.06"	13.17"	42°	20RYSM40-49
2.50" - 16	14.70"	3.45"	10.23"	7.00"	2.06"	13.67"	42°	20RYSM40-50
2.50" - 16	15.20"	3.45"	10.73"	7.00"	2.06"	14.17"	42°	20RYSM40-51
2.50" - 16	15.70"	3.45"	11.23"	7.00"	2.06"	14.67"	42°	20RYSM40-52
2.50" - 16	16.20"	3.45"	11.73"	7.00"	2.06"	15.17"	42°	20RYSM40-53

SHAFT YOKES — WING BEARINGS



Spline Size	Face to End	Pilot Diameter	Spline Length	Slot Width	Kit Mtg. Holes	Part Number
72N SERIES						
U-JOINT KIT: CP72N-DWT, CP72N-HB, CP72N-HWD or PERMALUBE						
2.00" - 10	9.13"	5.84"	2.75"	.63"	.47" - DR	72NYSM32-58
2.50" - 16	4.06"	5.84"	1.69"	.63"	.47" - DR	72NYSM40-12
2.50" - 16	6.69"	5.84"	2.75"	.63"	.50" - 20TH	72NYSM40-87



Meritor.com/lod

With a user-friendly approach and visually appealing format for easier, quicker surfing, Literature on Demand is your “go to” spot for all your literature needs – Parts Books, Sales Brochures and Technical Publications.

©2014 Meritor, Inc.



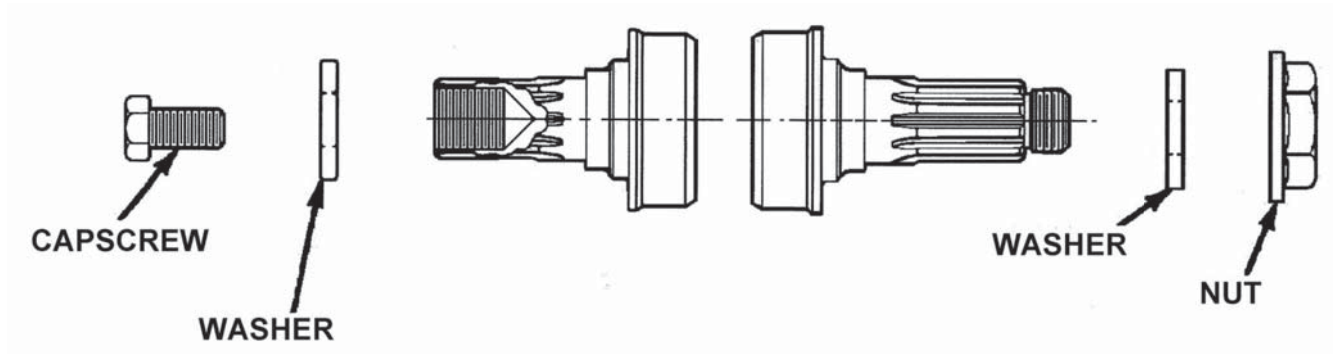
MERITOR

SECTION 9

INDEX

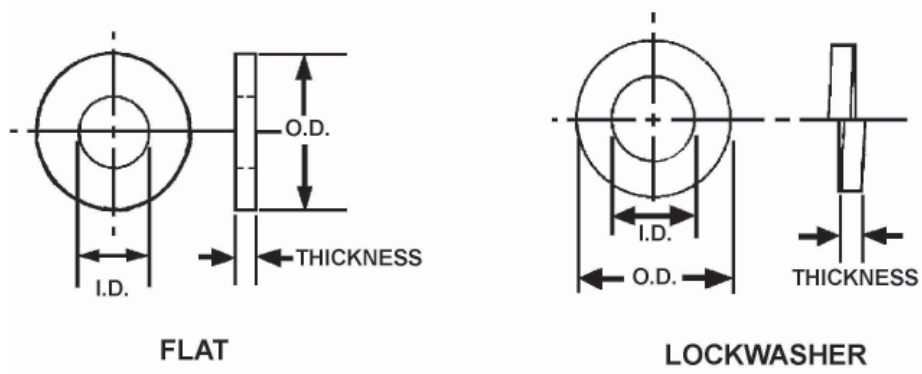
Small Parts	Page
Balance Weights	9-12
Bearing Clamps	9-10
Capscrews	9-2
Deflectors	9-7
Dust Cap Groups	9-5
Dust Seals	9-6
Hardware for Bearing Stubs	9-ii
Lockplates	9-10
Lube Fittings	9-11
Nuts	9-3
Plugs for Slip Yokes	9-12
Snap Rings	9-10
Strap and Bolt Kits	9-9
Thrustplates	9-10
U-Bolt Kits	9-9
Washers	9-1
Wearsleeves	9-11
Yoke Nuts	9-3
Yoke Washers	9-4

HARDWARE FOR BEARING STUBS



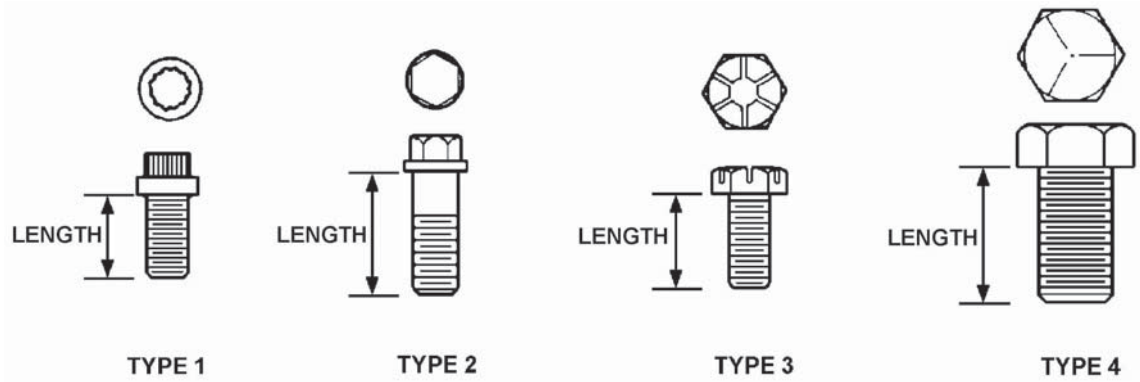
Spline Size	Part Number	Thread Size	Related Washer	Related Nut	Related Capscrew
2.53" - 46	18N-53-171	1.25" - 18			
2.28" - 10	BSS28-92	.88" - 14			
2.88" - 10	BSS31-18	1.25" - 18	WAR21-1	1227-Z-936	
2.88" - 38	BSS32-34	1.25" - 18	WAR21-1	1227-Z-936	
2.56" - 10	BSS36-10	1.25" - 18	WAR21-1	1227-Z-936	
2.63" - 16	18N-53-51	1.25" - 18	WAR21-1	1227-Z-936	
2.63" - 16	18N-53-91	1.25" - 18	WAR21-1	1227-Z-936	
1.88" - 10	BSS24-52	.75" - 16	WAR13-5	NL-112-1	
1.88" - 10	BSS24-52A	.75" - 16	WAR13-5	NL-112-1	
1.88" - 10	BSS24-53	.75" - 16	WAR13-5	NL-112-1	
1.88" - 10	BSS24-53A	.75" - 16	WAR13-5	NL-112-1	
1.88" - 10	BSS24-60A	.75" - 16	WAR13-5	NL-112-1	
1.81" - 10	141N-53-1081	.75" - 16	WAR13-5		S-11212
2.06" - 10	16N-53-141	1.25" - 18	WAR21-1	1227-Z-936	
2.28" - 10	16N-53-191	1.25" - 18			
2.53" - 46	176N-53-21	1.25" - 18			
2.88" - 10	17N-53-151	1.25" - 18	WAR21-1	1227-Z-936	
2.88" - 10	17N-53-201	1.25" - 18	WAR21-1	1227-Z-936	
2.88" - 10	17N-53-241	1.25" - 18			
2.63" - 16	17N-53-311	1.25" - 18	WAR21-1	1227-Z-936	
2.84" - 38	17N-53-411	1.25" - 18			

WASHERS



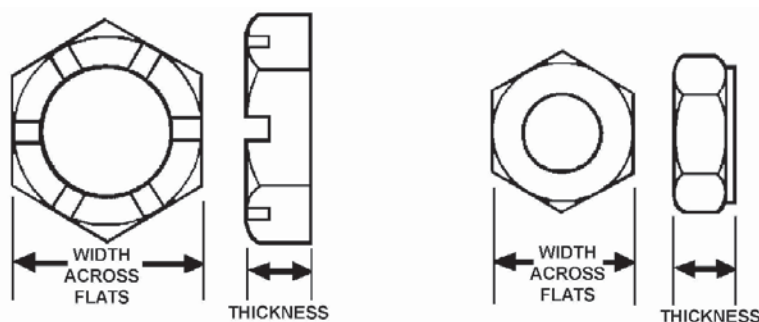
Type	Outside Diameter	Inside Diameter	Thickness	Part Number
Lock Washer	.58"	.32"	.08"	WA-15Z
Lock Washer	.69"	.38"	.12"	WA-46
Lock Washer	.69"	.52"	.15"	WA-48
Lock Washer	.77"	.44"	.11"	WALM7-2
Lock Washer	.88"	.52"	.13"	WA-18
Flat Metal	1.75"	.78"	.19"	WAR13-5
Flat Metal	2.13"	1.27"	.12"	WAR20-1
Flat Metal	2.23"	.53"	.38"	WAR8-14
Flat Metal	2.75"	1.31"	.162"	WAR21-1

CAPSCREWS



Type	Thread Size	Length	Grade	Part Number
1	.31" - 18	1.75"	Grade 8	SP-1049
1	.38" - 16	1.75"	Grade 8	SP-1045
1	.38" - 24	.75"	Grade 8	SP-1013
1	.44" - 20	1.12"	Grade 8	SP-1010
1	.44" - 20	2.00"	Grade 8	SP-1012
1	.50" - 20	1.75"	Grade 8	CSC8-20-52
1	.50" - 20	1.00"	Grade 8	SP-1014
2	M12 x 1.75	30mm	Grade 10.9	MS-212030-2
2	M12 x 1.75	60mm	Grade 10.9	MS-212060-2
2	.31" - 24	.75"	Grade 8	CSH5-24-37
2	.31" - 24	.88"	Grade 8	CSH5-24-34
2	.31" - 24	1.00"	Grade 8	CSH5-24-27
3	.25" - 28	.63"	Grade 8	CSH4-28-13
3	.31" - 24	.75"	Grade 8	CSH5-24-28
4	.31" - 24	.63"	Grade 8	S-155B-2
4	.38" - 24	.63"	Grade 8	S-165B-2 1
4	.38" - 24	1.00"	Grade 8	S-168-2
4	.38" - 24	2.00"	Grade 8	S-1616-2
4	.44" - 20	1.13"	Grade 8	S-179-2
4	.44" - 20	2.00"	Grade 8	S-1716-2
4	.50" - 20	1.50"	Grade 8	S-1812-2
4	.50" - 20	2.25"	Grade 8	S-1818-2
4	.50" - 20	2.50"	Grade 8	S-1820-2
4	.50" - 20	2.75"	Grade 8	S-1822-2
4	.75" - 16	1.50"	Grade 5	S-11212

NUTS

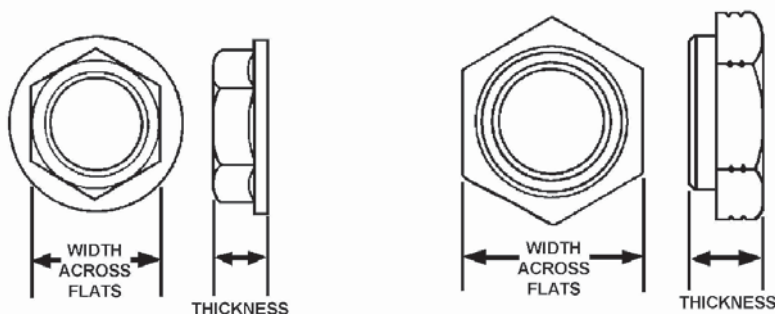


TYPE 1

TYPE 2

Type	Width Across Flats	Thread Size	Thickness	Part Number
1	.75"	.50" - 20	.31"	NUEL8-20-8
2	.50"	.31" - 18	.30"	NL-25-1
2	.56"	.38" - 16	.33"	NL-26-1
2	.56"	.38" - 24	.34"	NUHX6-24-14
2	.69"	.44" - 20	.42"	R005961
2	.75"	.50" - 20	.31"	NUJA8-20-6
2	1.13"	.75" - 16	.63"	NL-112-1

YOKE NUTS



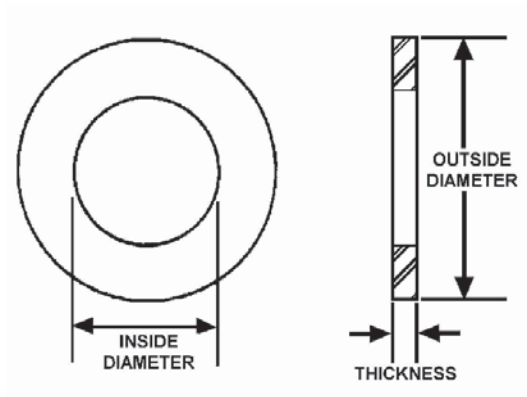
TYPE 1

TYPE 2

Type	Width Across Flats	Thread Size	Metric Thread	Thickness	Related Washer	Part Number
1	1.13"	0.88" - 20		.50"	1229-S-1397	1227-G-943
1	1.32"	1.00" - 20		.57"	1229-E-1331	1227-C-939
1	1.63"	1.25" - 12		.62"	1229-A-2653	1227-K-1051
1	1.63"	1.25" - 18		.62"	1229-A-2653	1227-Z-936
1	1.88"	1.50" - 12		.75"	1229-T-1736	1227-J-946
1	1.88"	1.50" - 18		.75"	1229-E-1071	1227-A-937
1	2.25"	1.75" - 12		.69"	1229-S-1605	1227-D-940
2	1.88"	1.25" - 12		.75"	1229-A-2653	1227-Q-901
2	2.25"	1.50" - 12		.88"	1229-T-1736	1227-R-902
2	2.58"	1.75" - 12		.99"	1229-N-1730	1227-N-898
2	45.69mm		32mm x 1.5-6H Thd.	18mm	1229-A-2653	40-X-1236 ²
2	54.63mm		39mm x 1.5-6H Thd.	21mm	1229-T-1736	40-X-1237
1	56.20mm		45mm x 1.5-6H Thd.	24mm	1229-W-4521	40-X-1233

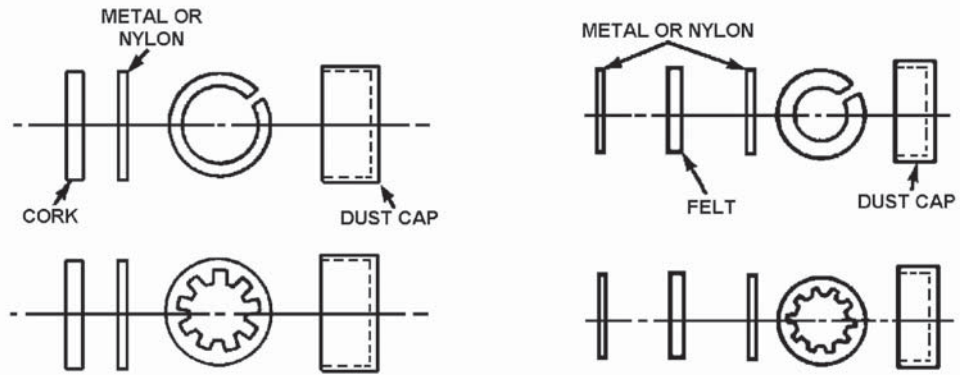
2 Order KIT 2636 to purchase nut and washer.

YOKE WASHERS



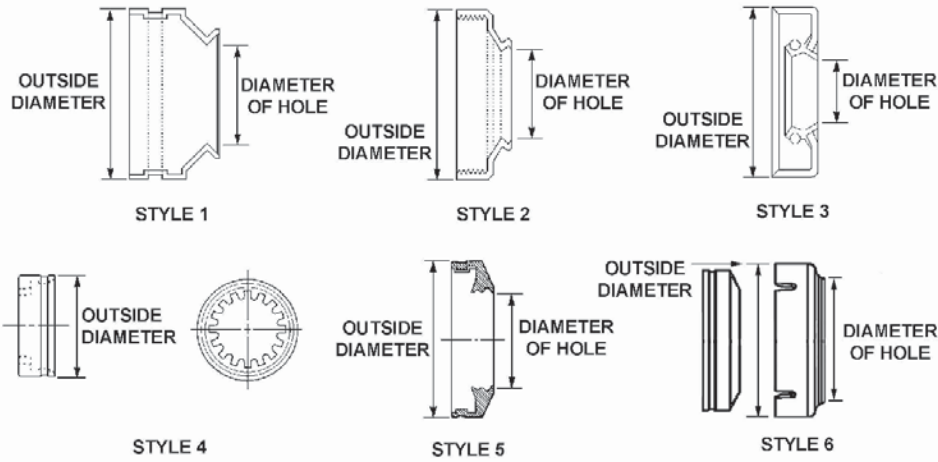
Outside Diameter	Inside Diameter	Thickness	Part Number
1.62"	.91"	.13"	1229-S-1397
1.62"	.91"	.19"	1229-N-1548
1.81"	1.03"	.25"	1229-E-1331
2.19"	1.28"	.22"	1229-A-2653
2.38"	1.53"	.13"	1229-T-1736
2.38"	1.53"	.25"	1229-F-2918
3.00"	1.78"	.10"	1229-G-1281
3.00"	1.78"	.19"	1229-N-1730
3.25"	1.75"	.31"	1229-W-4521 ⁶
3.25"	1.81"	.40"	1229-S-1605
3.25"	2.03"	.28"	1229-E-1071

DUST CAP GROUPS



Series	Style	Seal Size - No. of Teeth	Dust Cap	Felt Washer	Nylon Washer	Metal Washer	Cork Seal	Part Number
131N	SPL	1.25" - 16	Yes	No	Yes	No	No	ND2K
133N, 135N, 141N	SPL	1.50" - 16	Yes	No	No	Yes	Yes	ND3K
135N, 141N	SPL	1.38" - 16	Yes	No	No	No	Yes	ND3E
148N	RD	1.50"	Yes	No	No	Yes	Yes	DC148N-1
155N	SPL	1.75" - 32	Yes	Yes	No	No	No	DC155N
17N	RD	2.50"	Yes	No	No	Yes	Yes	DC17N-3
17N	RD	2.50"	Yes	No	No	Yes	Yes	DC17N
58WB	SPL	1.75" - 16	Yes	Yes	No	Yes	No	DC5N-16
62N	RD	1.75"	Yes	Yes	No	Yes	No	DC62N-1
72N	RD	2.00"	Yes	Yes	No	Yes	No	DC72N-1
72N	SPL	2.00" - 10	Yes	Yes	Yes	No	No	DC72N
82N	SPL	2.50" - 10	Yes	Yes	No	Yes	No	DC82N-1
82N	SPL	2.50" - 16	Yes	Yes	No	Yes	No	DC82N-4

DUST SEALS



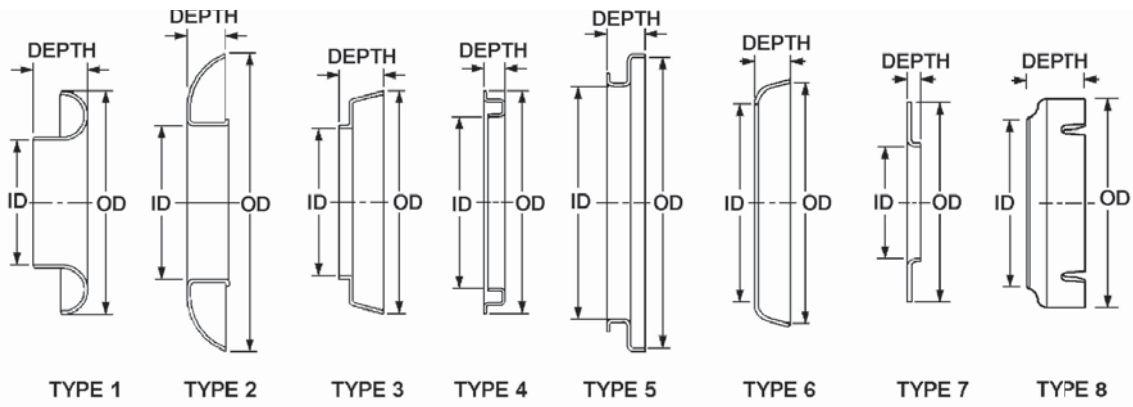
Style	Series	Thread Size	Outside Diameter	Diameter of Hole	Spline Size	Part Number
1	L6N		1.75"	0.79"		SERUR14-16
1	121N		2.00"	1.00"		R280196
1	133N, 13N, 3R, 7260		2.13"	1.16"		R280194
1	155N		2.29"	1.33"		SERUR21-3
2	131N		2.00"	1.09"		ND2C
2	131N, 135N, 141N, 3R		2.13"	1.18"		ND3A
2	148N		2.31"	1.25"		ND3H
2	58WB, 62N	2.12" - 20	2.43"	1.32"		SERUR22-4
2	148N, 155N, 58WB, 72N	2.50" - 20	2.62"	1.52"		SERUR25-1
2	155N, 16N, 62N	3.00" - 24	2.62"	1.52"		SERUR25-2
2	176N, 17N, 72N, 82N	3.00" - 24	3.25"	1.98"		SERUR33-4
2	17N, 18N	3.62" - 16	4.00"	2.44"		SERUR40-8
2	85WB, 92N	3.75" - 20	4.00"	2.44"		SERUR40-3
4	L6N		1.75"		1.25" - 32	SERUS20
4	135N, 141N		2.13"		1.38" - 16	R280195
4	155N		2.30"		1.73" - 16	SERUS28-4
5	72N		1.48"	1.01"		SERUR16-8
5	20RPL		3.29"	1.97"		SERUR32-7⁹
5	17N, 176N		3.36"	1.98"		SERUR32-9⁸
5	25RPL		3.77"	2.41"		SERUR40-21¹⁰
5	18N		3.86"	2.43"		SERUR39-2⁸
6	16N		2.61"	1.56"		KIT 6269
6	176N, 17N		3.11"	1.98"		KIT 6167
6	18N		3.61"	2.43"		KIT 6168

8 MXL Design. Available Fall 2009

9 Use KIT 20RPL SEAL for replacement on 20RPL. Kit contains DEFR53-4 and SERUR32-7. Replace both at same time.

10 Use KIT RPL SEAL for replacement on 25RPL. Kit contains DEFR61-1 and SERUR40-21. Replace both at same time.

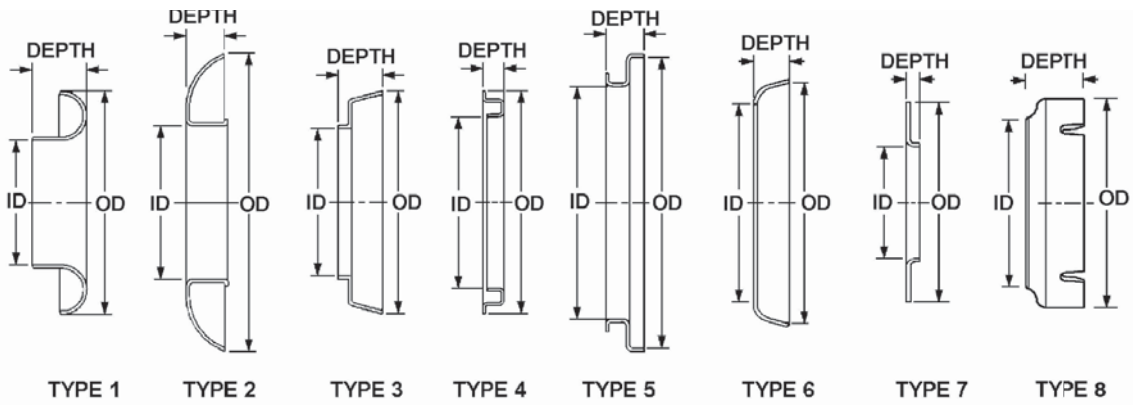
DEFLECTORS



Outside Diameter	Inside Diameter	Depth	Type	Part Number
				3264-P-172
2.25"	1.75"	0.75"	1	DEFR22-4
2.43"	1.38"	0.62"	1	DEFR22-5
2.43"	1.56"	0.64"	1	DEFR25-4
2.50"	1.75"	0.50"	3	RBR28-1
2.62"	1.56"	0.59"	1	DEFR25-1
2.87"	1.56"	0.93"	1	DEFR25-2
2.87"	1.77"	0.59"	1	DEFR28-3
3.30"	2.56"	0.91"	3	DEFR53-4⁹
3.45"	2.76"	0.83"	2	DEFR44-10
3.56"	2.37"	1.25"	3	DEFR38-5
3.78"	3.50"	0.65"	4	DEFR48-10
3.80"	3.06"	0.91"	3	DEFR61-1¹⁰
3.94"	2.18"	0.57"	3	DEFR35-3
3.94"	3.02"	0.39"	4	DEFR48-6
4.00"	1.75"	0.83"	2	DEFR28-4
4.00"	2.06"	0.56"	2	DEFR33-1
4.00"	2.16"	0.56"	2	DEFR34-1
4.00"	2.68"	0.58"	3	DEFR43-1
4.17"	3.43"	1.24"	2	DEFR55-3
4.32"	2.64"	0.63"	2	DEFR42-1
4.33"	2.94"	0.31"	2	DEFR47-5
4.37"	2.76"	0.99"	2	DEFR44-11
4.38"	2.31"	0.56"	2	DEFR37-1
4.38"	2.53"	0.87"	2	DEFR40-5
4.38"	3.06"	0.81"	1	DEFR49-1
4.44"	2.99"	1.125"	2	DEFR48-2
4.50"	2.37"	1.25"	3	DEFR38-3
4.56"	2.56"	0.56"	2	DEFR41-1
4.57"	2.99"	1.18"	2	DEFR48-8
4.59"	3.85"	0.40"	4	DEFR62-1
4.63"	2.38"	0.88"	2	DEFR38-1
4.75"	2.94"	0.31"	7	DEFR47-6

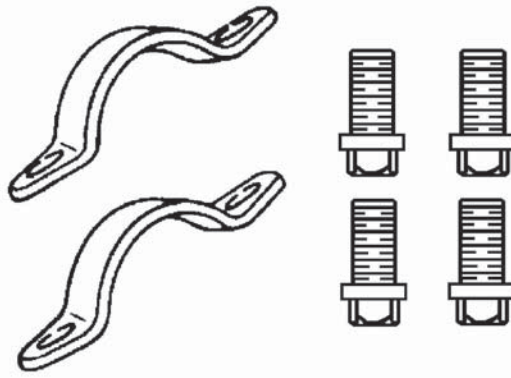
9 Use KIT 20RPL SEAL for replacement on 20RPL. Kit contains DEFR53-4 and SERUR32-7. Replace both at same time.
 10 Use KIT RPL SEAL for replacement on 25RPL. Kit contains DEFR61-1 and SERUR40-21. Replace both at same time.

DEFLECTORS



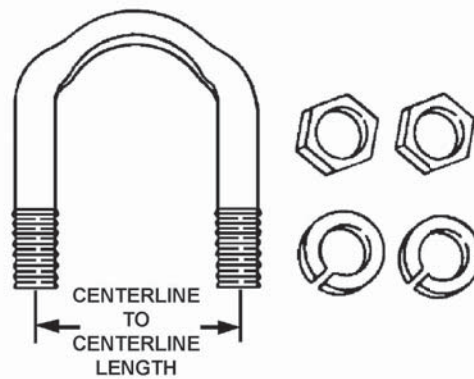
Outside Diameter	Inside Diameter	Depth	Type	Part Number
4.80"	2.97"	0.56"	3	DEFR47-12
4.81"	2.51"	1.00"	2	DEFR40-4
4.81"	2.81"	0.56"	2	DEFR35-1
4.88"	3.13"	0.94"	2	DEFR50-4
4.88"	3.51"	0.72"	6	DEFR56-2
4.88"	3.66"	1.03"	2	DEFR59-2
5.00"	2.99"	0.69"	2	DEFR48-5
5.13"	2.95"	0.69"	2	DEFR47-4
5.13"	3.43"	1.13"	6	DEFR55-2
5.14"	3.74"	0.67"	5	DEFR60-3
5.14"	4.09"	0.67"	5	DEFR66-1
5.46"	2.70"	0.28"	2	DEFR43-3
5.50"	2.76"	0.84"	2	DEFR44-1
5.50"	4.06"	0.81"	6	DEFR65-1
5.56"	3.31"	0.58"	2	DEFR55-1
5.72"	2.95"	0.88"	2	DEFR47-2
5.75"	3.38"	0.94"	2	DEFR54-1
5.80"	3.38"	0.40"	2	DEFR54-12
6.00"	2.95"	0.94"	2	DEFR47-7
6.00"	3.13"	0.81"	2	DEFR50-7
6.00"	3.66"	0.90"	2	DEFR59-1
6.25"	3.74"	1.12"	3	DEFR60-1
6.75"	2.95"	1.00"	2	DEFR47-13
7.00"	3.13"	0.81"	2	DEFR50-2
7.00"	3.49"	0.88"	2	DEFR56-7
7.37"	3.38"	1.50"	2	DEFR54-5

STRAP AND BOLT KITS



Retainer Strap (2 per kit)	Capscrew (4 per kit)	Lock Nut (4 per kit)	Lock Washer (4 per kit)	Series	Part Number
REBC16S	SP-1013			16N	KT16SB
REBC141-1	SP-1049	NL-25-1		131N, 141N	KT121
REBC141-1	CSC5-24-37			131N, 141N	KT122
REBC148-2	SP-1045	NL-26-1		148N, 155N	KT123
REBC148-2	SP-1013			148N, 155N	KT124
REBC141	CSH5-24-27		WA-15Z	131N, 141N	KT125
REBC148	CSH5-24-27		WA-15Z	148N, 155N	KT126⁵
REBC17S	SP-1014			176N, 17N, 18N	KT17SB
				SPL90/100	90N-70-28X
				SPL170	170N-70-18X
				SPL250	250N-70-18X

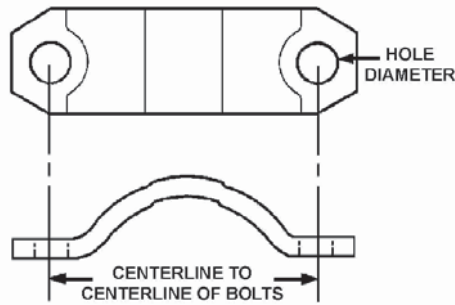
U—BOLT KITS



U-Bolts (in kit)	Nuts (in kit)	Lockwashers (in kit)	CL to CL Length	Thread Size	Series	Part Number
2	4	4	1.41"	.31" - 24	131N, 133N	KT116
2	4	4	1.63"	.38" - 24	141N	KT117
2	4	4	1.88"	.44" - 20	148N, 155N	KT118

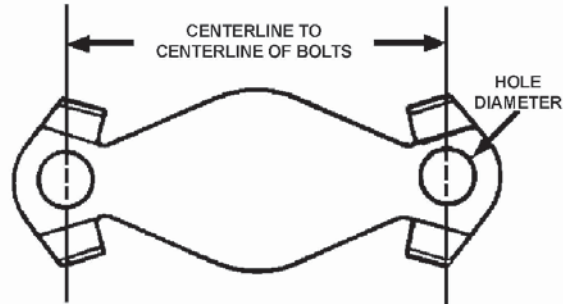
5.31 in - 24 thread

BEARING CLAMPS



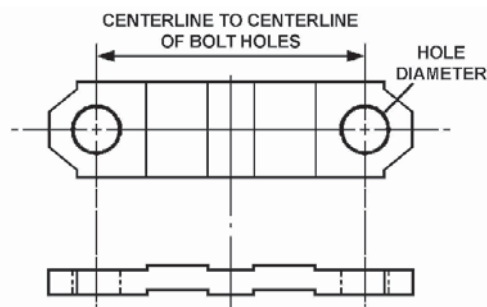
CL to CL of Bolt Holes	Hole Diameter	Series	Use Capscrew	Part Number
1.63"	0.33"	131N		REBC131
1.80"	0.33"	131N, 141N-T	CSC5-24-27	REBC141-1
1.88"	0.35"	131N, 141N	CSH5-24-27	REBC141
1.94"	0.33"	148N, 155N	CSH5-24-27	REBC148
2.12"	0.40"	148N, 155N, 155N-D	SP-1013, SP-1045	REBC148-2
2.50"	0.42"	16N	CSC6-24-56	REBC16S
2.80"	0.55"	176N, 17N, 18N	SP-1014	REBC17S

LOCKPLATES



CL to CL of Bolt Holes	Hole Diameter	Series	Use Capscrew	Part Number
2.31"	.34"	16N	S-155-2	KIT-CP1610-HDWE ¹
2.44"	.39"	176N, 17N, 18N	S-165-2	LPHC39-3 ²

THRUSTPLATES

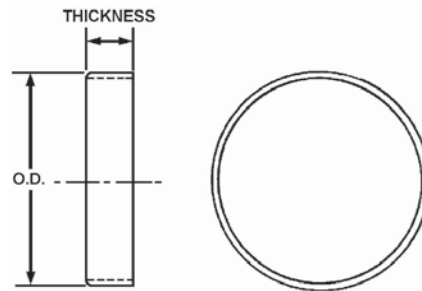


CL to CL of Bolt Holes	Hole Diameter	Series	Use Capscrew	Part Number
1.75"	0.27"	148N, 155N	CSH4-28-13	RECP148
1.81"	0.33"	155N	CSH5-24-28	RECP155

¹ Contains 4 lockplates, 8 capscrews and 2 zerk fittings.

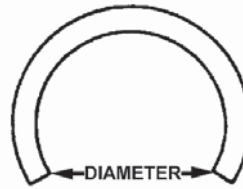
² Available in KIT 5504 which includes 4 lock plates and 8 capscrews.

WEARSLEEVES



Outside Diameter	Thickness	Series	Part Number
2.50"	1.00"	16N, 18N, 72N	1199-A-3329
3.00"	0.63"	82N, 92N	WIR46-2

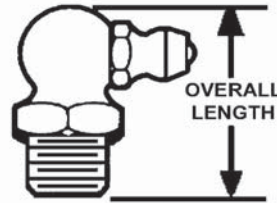
SNAP RINGS



External/Outside

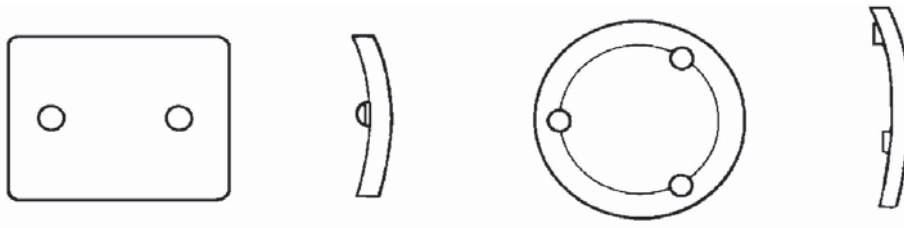
Snap Ring Type	Outside Diameter	Thickness	Series	Part Number
External / Outside	.766"	.078"	L15N	RRER16-2
Internal / Inside	1.52"	.059"	148N, 155N	RRIR24-2
Internal / Inside	2.28"	.078"	20RPL, 25RPL	RRIR36-4

LUBE FITTINGS



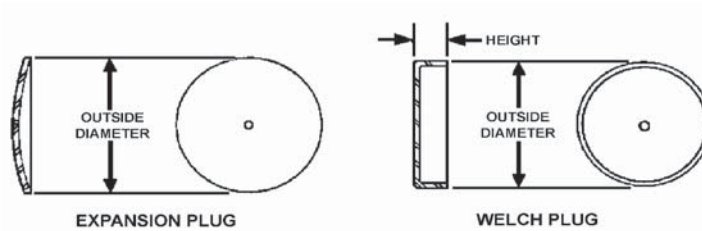
Overall Length	Angle	Thread Size	Thread Type	Part Number
.89"	45°	.13" - 27	P.T.F.	1199-H-1620
.78"	65°	.25" - 28	TAPER	2206-C-1121
.84"	65°	.13" - 27	P.T.F.	1199-X-1870
.75"	90°	.25" - 28	TAPER	1199-L-2118
.84"	90°	.13" - 27	P.T.F.	1898-R-720
.47"	Straight	.25" - 28	U.N.F.	1199-T-2854
.47"	Straight	.13" - 27	P.T.F.	1898-Q-771
.55"	Straight	.25" - 28	TAPER	1199-B-2576
.69"	Straight	.25" - 28	TAPER	1199-A-963
.72"	Straight	.13" - 27	P.T.F.	1199-N-1860

BALANCE WEIGHTS



Weight	Style	Part Number
.25 oz.	Rectangular	BLWP33-2
.27 oz.	Round	BLWR18-1
.33 oz.	Round	BLWR18-2
.33 oz.	Rectangular	BLWP33-1
.42 oz.	Round	BLWR18-3
.50 oz.	Round	BLWR18-4
.50 oz.	Rectangular	BLWP32-3
.56 oz.	Rectangular	BLWP32-2
.68 oz.	Round	BLWR18-6
.70 oz.	Rectangular	BLWP32
1 oz.	Rectangular	BLWP11-2
2 oz.	Rectangular	BLWP22-1

PLUGS FOR SLIP YOKES



Type	Outside Diameter	Height	Series	Part Number
Expansion	1.750"		58WB, 62N	PLEX28-1⁵
Expansion	1.975"		148N, 155N	PLEX31-14
Expansion	2.031"		16N	PLEX33-1⁵
Expansion	2.625"		16N, 17N, 750N	PLEX42-2
Welch	1.850"	0.50"	141N, 148N	PLWE30-1⁶
Welch	2.100"	0.69"	155N	PLWE33-2⁶
Welch	2.210"	0.83"	16N, 62N, 72N	PLWE36-2
Welch	2.210"	0.84"	58WB, 62N, 72N, 82N	PLWE36-6⁵
Welch	2.215"	0.62"	16N, 62N, 72N	PLWE36-1
Welch	2.215"	0.62"	17N, 58WB, 62N, 72N	PLWE36-7⁵
Welch	2.465"	0.83"	16N	PLWE40-5
Welch	2.683"	0.75"	176N, 72N, 82N, 85WB	PLWE43-1
Welch	2.683"	1.00"	72N, 82N	PLWE43-2
Welch	2.938"	0.62"	176N, 17N	PLWE43-12
Welch	3.330"	0.69"	92N	PLWE53-15⁷
Welch	3.330"	0.69"	85WB, 92N	PLWE53-4

⁵ Plug does not have a hole in the center.

⁶ Welch plug has a .19 in. lip.

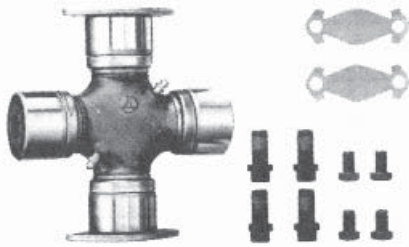
⁷ Welch plug has a threaded hole (.13 in. NPT) in the center for a relief valve.

SECTION 10

INDEX

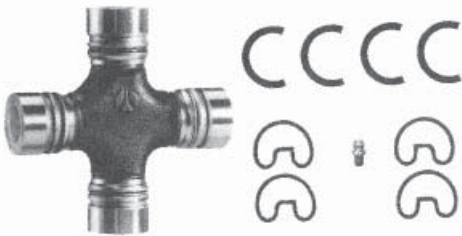
U-Joint Kits	Page
2 Wing Type and 2 Round Bearings.....	10-11
Bearing Plate	10-13
Dual-Plane Retainer	10-14
Inside and Outside Snap Ring Combinations	10-7
Inside Snap Rings.....	10-5
Meritor Easy Service.....	10-14
Outside Snap Rings	10-6
RPL Series.....	10-15
Wing Type and Cover Plate Hybrid.....	10-12
Wing Type Combinations	10-8
Kits for Easy Service Yokes	10-ii
Application Guide.....	10-1
How to Select U-Joint Kits	10-2
How to Measure U-Joint Kits.....	10-3
Lubrication of U-Joints	10-4
U-Joint Sizes/Ratings/Speeds/Tube Sizes.....	10-16
Attaching Hardware Torque Specs	10-17

KITS FOR EASY SERVICE YOKES



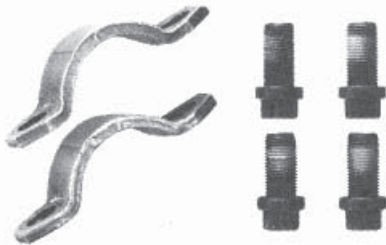
U-JOINT KITS:

- M674X (Includes Strap)
- M675X (Includes Strap)
- M676X (Includes Strap)
- M677X (Includes Strap)



U-JOINT KITS:

- CP141N
- CP148N
- CP155N



STRAP AND BOLT KITS:

- KT16SB
- KT17SB
- KT122
- KT124
- KT125 (Includes 4 Lock Washers)
- KT126 (Includes 4 Lock Washers)



STRAP AND BOLT KITS:

- KT121
- KT122



U-BOLT KITS:

- KT117
- KT118

APPLICATION GUIDE — MERITOR SERIES

AUTOMOTIVE APPLICATIONS			
SERIES	MACHINE or VEHICLE	APPLICATION	YIELD TORQUE (Ft.Lb.)
L6	Medium and Heavy Truck	Steering	667
141N	Truck	Main & Inter-Axle Drive	3,750
62N	Truck	Main & Inter-Axle Drive	5,000
148N	Truck	Main & Inter-Axle Drive	5,000
155N	Truck	Main & Inter-Axle Drive	6,250
58WB	Truck	Main & Inter-Axle Drive	7,025
72N	Truck	Main & Inter-Axle Drive	7,080
16N	Truck	Main & Inter-Axle Drive	7,100
82N	Truck	Main & Inter-Axle Drive	11,083
17N	Truck	Main & Inter-Axle Drive	9,600
176N	Truck	Main & Inter-Axle Drive	16,000
750N	Military Truck	Wheel/Axle	5,760
850N	Truck	Wheel/Axle	16,700
18N	Truck	Main & Inter-Axle Drive	21,000
85WB	Truck	Main & Inter-Axle Drive	7,025
92N	Truck	Main & Inter-Axle Drive	23,000
950N	Truck	Wheel/Axle	39,000

INDUSTRIAL APPLICATIONS			
SERIES	MACHINE OR VEHICLE	APPLICATION	YIELD TORQUE (Ft.Lb.)
72N	Mill	Roll Drive	7,080
17N	Mill	Roll Drive	9,600
85WB	Mill	Roll Drive	12,500
92N	Mill	Roll Drive	23,000

CONSTRUCTION APPLICATIONS			
SERIES	MACHINE OR VEHICLE	APPLICATION	YIELD TORQUE (Ft.Lb.)
L6	Grader	Steering	667
62N	Skidder, Loader	Main & Inter-Axle Drive	5,000
	Truck, Crane	Main & Inter-Axle Drive	
	Lift Truck	Main & Inter-Axle Drive	
72N	Grader	Main	7,080
	Truck Crane	Main	
	Crawler Loader	Main	
	Lift Truck	Main	
	Compactor	Main	
17N	Rough Terrain Crane	Main & Inter-Axle Drive	9,600
	Loader	Main & Inter-Axle Drive	
85WB	Scraper	Main	12,500
	Loader	Main	
850N	Truck Crane	Main	16,700
	Loader	Wheel/Axle	
92N	Crawler Truck	Main	23,000
950N	Loader	Wheel/Axle	39,000

WHEEL AXLE APPLICATIONS ON - OFF HIGHWAY			
SERIES	MACHINE OR VEHICLE	APPLICATION	YIELD TORQUE (Ft.Lb.)
58WB	Truck	Miscellaneous	7,025
92N	Mill	Miscellaneous	23,000
	Truck		
	Crawler Truck		
750N	Military Truck	Miscellaneous	5,760
850N	Truck Loader	Miscellaneous	16,700
950N	Truck Loader	Miscellaneous	39,000

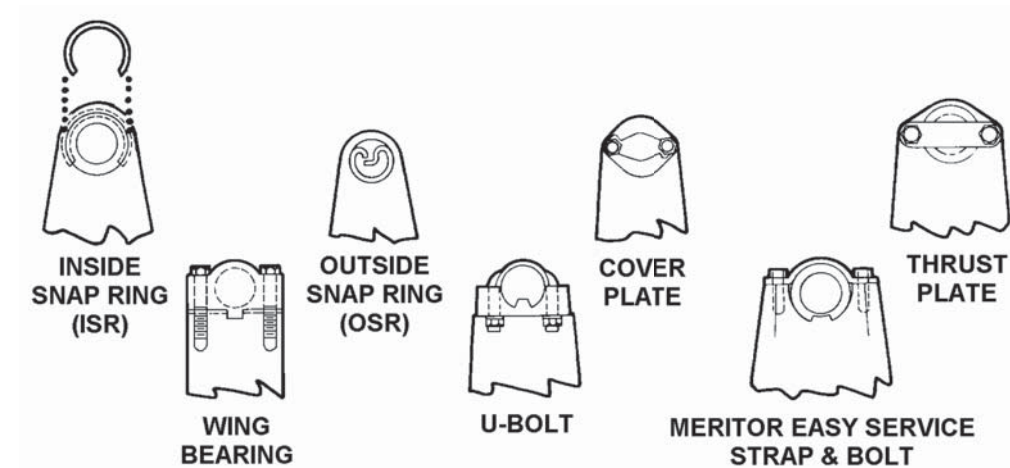
HOW TO SELECT U—JOINT KITS

Meritor offers U-joints in a full range of sizes for automotive as well as On and Off-highway truck and equipment applications

All sizes and types of Meritor U-joint kits are basically the same. They consist of the following:

- A cross
- Four (4) bearing races
- Seals
- Needle bearings
- Hardware to retain the bearings in the yoke
- Lube fitting (for most kits)

METHODS OF RETAINING U-JOINT KITS



Meritor U-joint Kits are catalogued by methods of retention within their basic style groups shown on the following pages. Each U-joint kit section uses specific illustrations showing primary dimensions for determining the part number.

The following table shows the basic kits styles used on passenger cars and light duty trucks regardless of vehicle model:

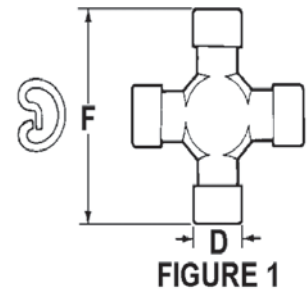
VEHICLE MANUFACTURER	MERITOR	CLEVELAND	DETROIT	SAGINAW/MECH.
AMC/JEEP	OSR	-	ISR	-
CHRYSLER	OSR	-	ISR	-
FORD	OSR	ISR	-	-
GMC	OSR	-	-	INJECTED NLYON/ISR
IHC	OSR	ISR	-	-

For medium and heavy-duty trucks, buses and off-highway equipment, use this catalog to identify the style of U-joint kit that needs replacing and match the dimensions from these pages with the dimensions of the worn kit.

MEASURING U—JOINT KITS

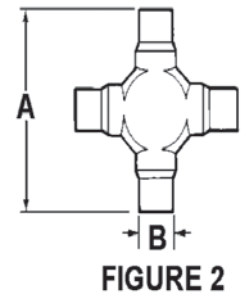
MEASURING U-JOINT KITS REMOVED FROM VEHICLE

1. Remove the bearing caps.
2. Remove excess grease from the bottom of the bearing caps and trunnions.
3. Remove the seals from the bearing caps or trunnion to ensure accurate measurements when parts are compressed.
4. Measure as shown, using tolerance of +.005”/-.005” for dimensions “F” and “E”, and a tolerance of +.003”/-.003” for all others.



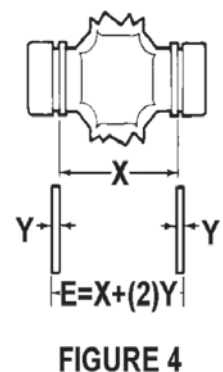
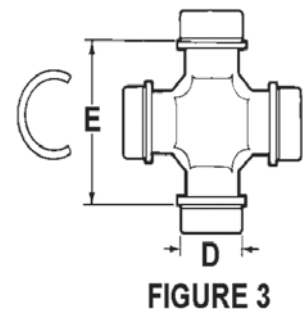
OUTSIDE SNAP RING STYLE

- A) Measure dimension “F” (Figure 1) and write it down.
- B) Measure dimension “D” (Figure 1) and write it down.
- C) Is there a lube fitting? Is it in the cross or the cap?
- D) If more information is needed, measure dimensions “A” and “B” (Figure 2). These dimensions may vary between manufacturers.
- E) Refer to the pages showing Outside Snap Ring Kits.



INSIDE SNAP RING STYLE

- A) Measure dimension “E” (Figure 3) and write it down. Be sure to include the thickness of the snap rings. The following method should be helpful.
 - 1) Measure from the inner edge of the snap ring groove to the inner edge of the other as shown by dimension “X”. (Figure 4)
 - 2) Measure the thickness of one snap ring (Dim “Y”). Dimension “E” then equals “X” + 2 (“Y”). (Figure 4)
- B) Measure dimension “D” (Figure 3) and write it down.
- C) Is there a lube fitting? Is it in the cross or the cap?
- D) If more information is needed, measure dimensions “A” and “B” (Figure 2). These dimensions vary between manufacturers.
- E) Refer to the pages showing Inside Snap Ring Kits.



LUBRICATION OF U—JOINTS

The function of the lubricant in a U-joint is to protect the surface of the rollers and races from rust of corrosion and to reduce the friction between the rollers and races.

THE FOLLOWING GREASES ARE RECOMMENDED

An NLGI No. 2 grease consisting of a mineral oil and Lithium soap or equivalent base with EP additives to give long life characteristics.

Greases approved by Meritor include:

- PN-C1AZ 19590 or a grease meeting Ford Motor Company Specification M1C-75B
- Kendall L-424 Grease
- Amoco Super Chassis
- Amalie All-Purpose Grease with Moly, Li-2M
- Exxon 5160
- Shell Super Duty Special FF
- Maralube Moly Code 529
- Philube MWEP2 Grease

The center crosses of the U-joints hold a generous supply of lubricant. This stored lubricant is supplied to the bearing by the centrifugal action of the rotating cross.

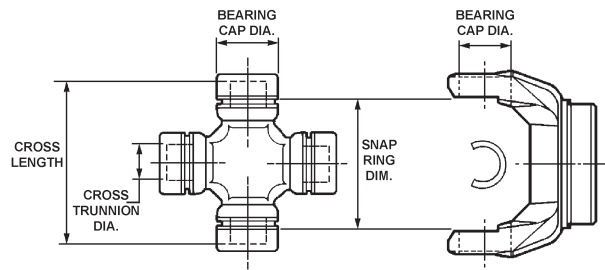
LUBRICANT REQUIREMENTS FOR U-JOINTS WILL VARY WITH THE APPLICATION.

Light duty, low angle service may permit “greased for life” initial lubrication only.

Conditions of high angle, high speed or extremely dirty or moist conditions may require daily greasing.

The lubrication of the slip assembly can be done with the same type lubricant and at the same time as the U-joint. For slip assemblies, an EP chassis grease with a molybdenum disulfide (MoS₂) additive has shown good results in some applications.

U—JOINT KITS — INSIDE SNAP RINGS

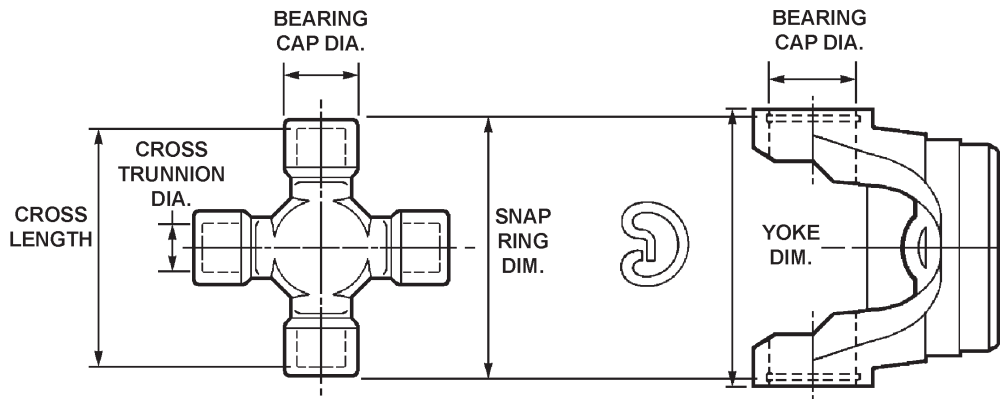


Cross Length	Cross Trunnion Dia.	Bearing Diameter	Snap Ring Dimension	Lube Fitting	Series	Part Number
1.948"	0.545"	0.971"	1.493"	Y	L6	CPL6R-50 ¹
1.948"	0.545"	0.971"	1.493"	Y	L6	CPL6R-51 ²
1.948"	0.545"	0.971"	1.493"	Y	L6	CPL6R-53 ³
2.060"	0.505"	0.938"	1.500"	N	1000	CP103X
2.080"	0.505"	0.938"	1.500"	Y	1000, 10N	CP170X
2.080"	0.505"	0.938"	1.500"	Y	1000, 10N	GCP170X*
2.244"	0.622"	1.064"	1.658"	Y	L12	GCP242X*
2.249"	0.578"	1.000"	1.711"	Y	1110	CP105X
		1.143"	2.047"	Y	Toyota	GCP1510X*
2.875"	0.641"	1.078"	2.121"	Y	7260	CP72625-4 ⁴
2.875"	0.657"	1.078"	2.125"	Y	3R, 7260	CP1306X
2.875"	0.657"	1.078"	2.125"	Y	3R, 7260	GCP1306X*
2.875"	0.657"	1.078"	2.125"	Y	7260	CP1306-1X ²
2.875"	0.657"	1.078"	2.125"	Y	7260	GCP1306-1X
2.969", 3.372"	0.655", 0.661"	1.078", 1.125"	2.125", 2.625"	Y	7260, 7290	CP527X
3.000"	0.700"	1.078"	2.160"	Y	L15	CPL15N-1S ⁶
3.000"	0.700"	1.078"	2.160"	N	L15	CPL15N-6
2.969"	0.657"	1.063"	2.188"	Y	131N	CP260X
2.969"	0.657"	1.063"	2.188"	Y	131N	GCP260X*
2.969"	0.745"	1.188"	2.188"	N	131N	CP297X
2.969"	0.745"	1.188"	2.188"	N	131N	GCP297X*
2.969"	0.745"	1.188"	2.188"	Y	131N	CP297-1X ²
		1.103"	2.205"	Y	Infiniti, Nissan, Subaru	GCP1505X*
2.874"	0.578"	1.00"	2.336"	Y	2R	CP2011X
2.874"	0.578"	1.00"	2.336"	Y	2R	GCP2011X
2.969", 3.372"	0.657", 0.657"	1.063", 1.125"	2.390", 2.562"	Y	131N3R	CP3022X ⁵
2.969", 3.372"	0.657", 0.657"	1.063", 1.125"	2.390", 2.562"	Y	131N3R	GCP3022X*
3.311"	0.657"	1.125"	2.580"	Y	3R, 3RL	CP3147X
3.311"	0.657"	1.125"	2.580"	Y	3R, 3RL	GCP3147X*
3.372"	0.773"	1.188"	2.563"	Y	R55	CP1205X
3.372"	0.657"	1.126"	2.636"	Y	7290	GCP1309X*
		1.375"	2.920"	N	AAM 1485WJ	CP3485
3.750"	0.773"	1.231"	3.000"	Y	5360	CP1301X

1 90 degree lube fitting.
 2 Lube fitting in bearing.
 3 Straight lube fitting.
 4 Includes two bearing straps and attaching hardware.

5 Special for 1957-58 Oldsmobile.
 6 Marine high performance. Use with L15N170-4 (after 4/86) or L15N170-6.
 *Pricepoint version U-joint

U—JOINT KITS — OUTSIDE SNAP RINGS



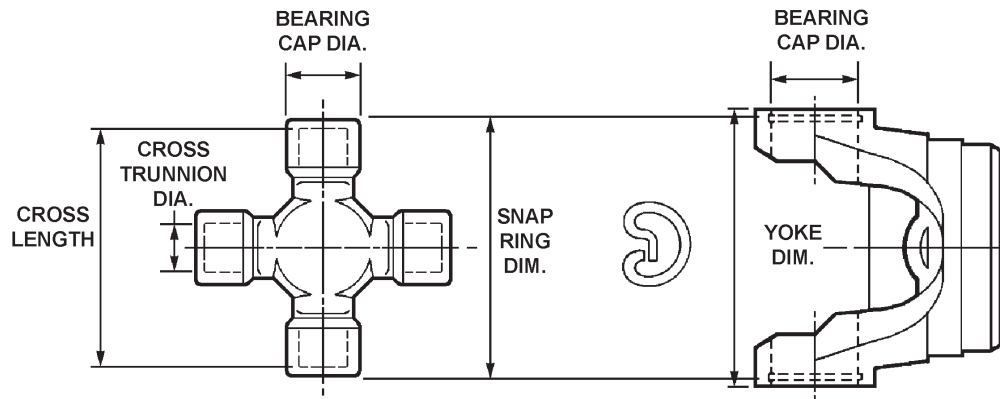
Cross Length	Cross Trunnion Diameter	Bearing Diameter	Yoke Dimension	Snap Ring Dimension	Lube Fitting	Series	Part Number
2.188"	0.516"	0.876"	2.69"	2.433"	Y	L10N	CPL10N-2 ²
2.188"	0.615"	1.063"	2.69"	2.438"	Y	121N	GCP443X ^{2*}
2.249"	0.578"	0.938"	2.66"	2.407"	Y	1100	CP111X
2.249"	0.578"	0.938"	2.66"	2.407"	Y	1100	GCP111X*
2.249"	0.578"	0.938"	2.66"	2.407"	N	1100	CP101X
2.249"	0.578"	0.938"	2.66"	2.407"	N	1100	GCP101X*
		1.126"		2.628"	Y	L14N	GCP129X*
		1.252"		3.209"	Y	L35N	GCP243X*
2.969"	0.615"	1.063"	3.47"	3.218"	Y	131N	CP200X
2.969"	0.657"	1.063"	3.47"	3.218"	Y	131N	CP153X
2.969"	0.657"	1.063"	3.47"	3.218"	Y	131N	GCP153X*
2.969", 3.373"	0.657", 0.657"	1.063", 1.063"	3.47", 3.88"	3.218", 3.622"	Y	131N133N	CP134X
2.969", 3.373"	0.657", 0.657"	1.063", 1.063"	3.47", 3.88"	3.218", 3.622"	Y	131N133N	GCP134X*
2.969", 3.373"	0.657", 0.773"	1.063", 1.188"	3.47", 3.88"	3.218", 3.622"	Y	131N135N	CP460X
3.371"	0.657"	1.063"	3.468"	3.622"	Y	133N	CP213X
3.371"	0.657"	1.063"	3.468"	3.622"	Y	133N	GCP213X*
3.373"	0.773"	1.188"	3.86"	3.622"	Y	135N	CP178X
3.373"	0.773"	1.188"	3.86"	3.622"	Y	135N	GCP178X*
3.936"	0.774"	1.188"	4.44"	4.172"	Y	141N	CP160X
3.936"	0.774"	1.188"	4.44"	4.172"	Y	141N	GCP160X*
		1.188"		4.178"	N	AAM 1415	CP3415
3.935"	0.868"	1.375"	4.44"	4.178"	Y	148N	CP148N
		1.375"		4.178"	N	AAM 1485	CP3486
3.875"	0.895"	1.375"	4.44"	4.187"	Y	148N	CP188X
3.875"	0.895"	1.375"	4.44"	4.187"	Y	148N	GCP188X*
4.566"	1.035"	1.625"	5.38"	4.957"	Y	SPL90/100	US90X
		1.375"		4.960"	N	155N	CP4555
4.658"	0.895"	1.375"	4.97"	4.967"	Y	155N	CP155X
4.658"	0.895"	1.375"	4.97"	4.967"	Y	155N	GCP155X*
4.716"	0.868"	1.375"	5.25"	4.968"	Y	155N	CP155N
4.747"	1.161"	1.626"	5.19"	5.064"	N	750N	CP750N ¹

¹ Does not contain seals or lube fitting - oil bath applications only.

² Lube fitting in bearing.

*Pricepoint version U-joint

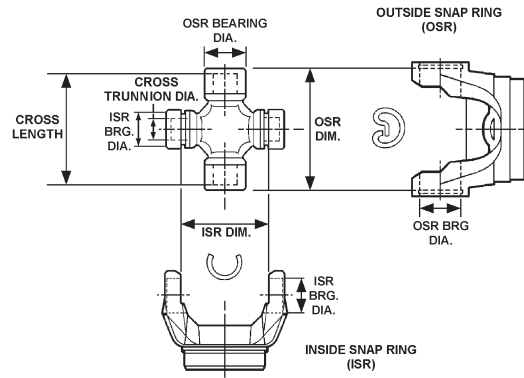
U—JOINT KITS — OUTSIDE SNAP RINGS



Cross Length	Cross Trunnion Diameter	Bearing Diameter	Yoke Dimension	Snap Ring Dimension	Lube Fitting	Series	Part Number
4.747"	1.161"	1.626"	5.19"	5.064"	Y	750N	CP750N-1 ³
4.747"	1.161"	1.626"	5.19"	5.064"	Y	750N	CP750N-4 ⁴
4.747"	1.161"	1.626"	5.19"	5.064"	Y	750N	CP750N-7 ⁵
4.747"	1.161"	1.626"	5.19"	5.064"	Y	750N	CP750N-8 ²
5.195"	1.040"	1.624"	5.97"	5.578"	Y	1650	CP165X
5.195"	1.040"	1.625"	5.97"	5.578"	Y	1650	GCP165X*
5.623"	1.348"	1.938"	6.06"	5.934"	Y	850N	CP850N-9
5.623"	1.348"	1.938"	6.06"	5.934"	Y	850N	CP850N-4
7.350"	1.700"	2.501"	7.89"	7.722"	Y	950N	CP950N
7.350"	1.700"	2.501"	7.89"	7.722"	Y	950N	CP950N-3
8.094"		2.186"			Y		GCP308X*

2 Permalube u-joint.
 3 90 degree lube fitting.
 4 45 degree lube fitting.
 5 Lube fitting in bearing cap.
 *Pricepoint version U-joint

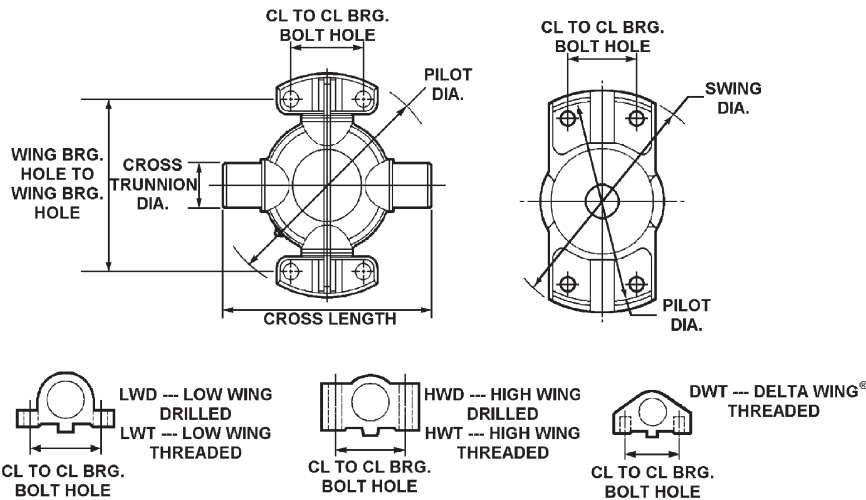
U—JOINT KITS — INSIDE AND OUTSIDE SNAP RING COMBINATIONS



Cross Length	Cross Trunnion Dia.	ISR Brg. Dia.	OSR Brg. Dia.	ISR Dim.	OSR Dim.	Series	ISR Qty.	OSR Qty.	Part Number
2.205"	0.548"	1.000"	1.063"	1.719"	2.438"	1110, 2RL	2	2	CP248X
2.874", 2.969"	0.657"	1.078"	1.063"	2.125"	3.218"	131N, 7260	2	2	CP353X
2.874", 2.969"	0.657"	1.078"	1.063"	2.125"	3.218"	131N, 7260	2	2	GCP353X*
2.874"	0.578"	1.000"	1.063"	2.338"	3.123"	131N, 2R	2	2	CP2140
2.969"	0.657"	1.063"	1.063"	2.359"	3.219"	S55	4	4	CP1200X
2.969"	0.657"	1.063"	1.063"	2.359"	3.219"	S55	4	4	GCP1200X*
2.969", 3.370"	0.660"	1.125"	1.063"	2.375", 2.625"	3.218"	131N, 7290	4	2	CP354X
2.970"	0.660"	1.064"	1.125"	2.390"	3.220"	131N, SPECIAL	2	2	CP1201X ¹²
3.372"	0.658"	1.125"	1.063"	2.551"	3.622"	1330, 3RL	2	2	GCP212X*
3.373"	0.657"	1.125"	1.063"	2.561"	3.625"	1330, 3RL	2	2	CP541X8
3.370"	0.660"	1.063"	1.063"	2.780"	3.630"	133N, SPECIAL	2	2	CP1203X
3.370"	0.660"	1.063"	1.125"	2.797"	3.625"	133N, SPECIAL	2	2	GCP1204X*
3.370"	0.660"	1.063"	1.125"	2.797"	3.625"	133N, SPECIAL	2	2	CP1204X ¹²
3.750", 3.936"	0.770"	1.231"	1.189"	3.000"	4.186"	141N, 5380	2	2	CP357X
3.940"	0.770"	1.189"	1.189"	3.160"	4.180"	O55	4	4	CP141N

¹² Special for Ford Motor company.
*Pricepoint version U-joint

U—JOINT KITS — WING TYPE COMBINATIONS

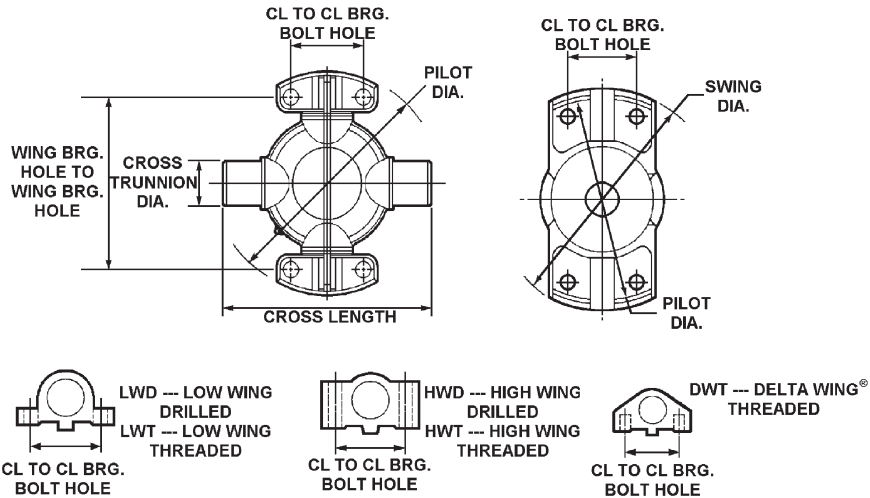


Cross Length	Cross Trunnion Dia.	CL to CL Brg. Bolt Hole	Swing Dia.	Pilot Dia.	Wing Brg. Hole to Wing Brg. Hole	Wing & Round Brg. Type	Series	Part Number
2.874"	0.615"	1.313"	3.34"	3.13"	2.38"	2LWT/2LWD	2CL	GCP2116*
2.874"	0.615"	1.313"	3.34"	3.13"	2.38"	2LWT/2LWD	2CL	CP2116
3.311"	0.657"	1.438"	3.81"	3.55"	2.75"	2LWT/2HWD	3CBL	CP3121
3.372"	0.657"	1.438"	3.81"	3.55"	2.75"	4LWT	3CL	CP3000
3.372"	0.657"	1.438"	3.81"	3.55"	2.75"	4LWT	3CL	GCP3000*
3.935"	0.773"	1.438"	4.50"	4.23"	3.44"	4HWD	4BL	CP4143X
3.935"	0.773"	1.438"	4.50"	4.23"	3.44"	4HWD	4BL	GCP4143X*
3.999"	0.663"	1.438"	4.50"	4.23"	3.44"	4LWT	4CL	CP4002
3.999"	0.663"	1.438"	4.50"	4.23"	3.44"	4LWT	4CL	GCP4002*
3.999"	0.663"	1.438"	4.50"	4.23"	3.44"	2LWT/2LWD	4CL	CP4101
4.249"	0.819"	1.687"	4.75"	4.52"	3.50"	4LWT	5CL	CP5122
4.249"	0.819"	1.687"	4.75"	4.52"	3.50"	4HWD	5BL	CP5177
4.249"	0.819"	1.687"	4.75"	4.52"	3.50"	4HWD	5C	GCP5177X*
4.249"	0.819"	1.687"	4.75"	4.52"	3.50"	2LWLT/2LWD	5CL	CP5101
4.249"	0.819"	1.687"	4.75"	4.52"	3.50"	2HWD/2DWT	5C	GCP5173X*
4.824"	1.063"	1.938"	5.63"	5.31"	4.27"	4DWT	58WB	CP58WB-DWT
4.824"	1.063"	1.938"	5.63"	5.31"	4.27"	4HWD	58WB	CP58WB-HWD
4.824"	1.063"	1.938"	5.63"	5.31"	4.27"	4HWD	58WB	CP58WB-HWD-PL ¹³
4.824"	1.063"	1.938"	5.63"	5.31"	4.27"	2HWD/2DWT	58WB	CP58WB-HB
4.824"	1.063"	1.938"	5.63"	5.31"	4.27"	2HWD/2DWT	58WB	CP58WB-HB-PL ¹³
5.125"	0.819"	1.688"	5.45"	5.53"	4.50"	4DWT	62N	CP62N-DWT
5.248"	0.819"	1.688"	5.45"	5.53"	4.50"	4DWT	62N	GCP62N-DWT*
5.125"	0.819"	1.688"	5.45"	5.53"	4.50"	2HWD/2DWT	62N	CP62N-HB
5.248"	0.819"	1.688"	5.45"	5.53"	4.50"	2HWD/2DWT	62N	GCP62N-HB*
5.125"	0.819"	1.688"	5.45"	5.53"	4.50"	2HWD/2DWT	62N	CP62N-HB-PL ¹³
5.125"	0.819"	1.688"	5.45"	5.53"	4.50"	4HWD	62N	CP62N-HWD
5.248"	0.819"	1.688"	5.45"	5.53"	4.50"	4HWD	62N	GCP62N-HWD*
5.125"	0.819"	1.688"	5.45"	5.53"	4.50"	4HWD	62N	CP62N-HWD-PL ¹³

13 Permalube.
 *Pricepoint version U-joint
 U.S. 888-725-9355
 Canada 800-387-3889

10

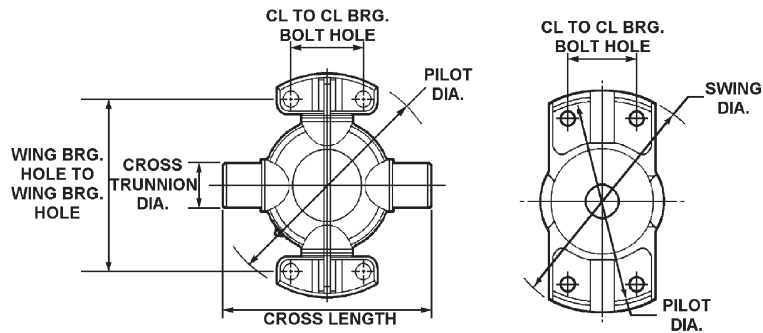
U—JOINT KITS — WING TYPE COMBINATIONS



Cross Length	Cross Trunnion Dia.	CL to CL Brg. Bolt Hole	Swing Dia.	Pilot Dia.	Wing Brg. Hole to Wing Brg. Hole	Wing & Round Brg. Type	Series	Part Number
5.125", 5.125"	0.819", 0.819"	1.688", 1.938"	5.45", 5.45"	5.53", 5.84"	4.50"4.50"	2DWT2DWT	62N72N	CP62N-50
5.125", 5.125"	0.819", 0.819"	1.688", 1.938"	5.45", 5.45"	5.53", 5.84"	4.50"4.50"	2DWT2HWD	62N72N	CP62N-51
5.347"	1.043"	1.938"	6.22"	5.84"	4.63"	4DWT	72N	CP72N-DWT
5.500"	1.000"	1.938"	6.22"	5.84"	4.63"	4DWT	72N	GCP72N-DWT*
5.347"	1.043"	1.938"	6.22"	5.84"	4.63"	4HWD	72N	CP72N-HWD
5.500"	1.000"	1.938"	6.22"	5.84"	4.63"	4HWD	72N	GCP72N-HWD*
5.347"	1.043"	1.938"	6.22"	5.84"	4.63"	4HWD	72N	CP72N-HWD-PL ¹³
5.347"	1.043"	1.938"	6.22"	5.84"	4.63"	2HWD/2DWT	72N	CP72N-HB
5.500"	1.000"	1.938"	6.22"	5.84"	4.63"	2HWD/2DWT	72N	GCP72N-HB*
5.347"	1.043"	1.938"	6.22"	5.84"	4.63"	2HWD/2DWT	72N	CP72N-HB-PL ¹³
5.347"	1.043"	1.938"	6.22"	5.84"	4.63"	2HWD/2DWT	72N	CP72N-11815
135.83mm	26.50mm	49.28mm	157.99mm	148.49mm	117.35mm	2HWD/2DWT	72N	CP72N-17021
5.781"	1.379"	2.440"		6.38"	4.94"	4HWD	J170	R17014
5.844"	1.490"	2.812"	7.00"	6.50"	4.88"	4DWT	85WB	CP85WB-DWT
6.000"	1.322"	2.812"	7.00"	6.50"	4.88"	4DWT	85WB	GCP85WB-DWT*
5.844"	1.490"	2.812"	7.00"	6.50"	4.88"	4DWT	85WB	CP85WB-DWT-PL ¹³
5.844"	1.490"	2.812"	7.00"	6.50"	4.88"	4HWD	85WB	CP85WB-HWD
6.000"	1.322"	2.812"	7.00"	6.50"	4.88"	4HWD	85WB	GCP85WB-HWD*
5.844"	1.490"	2.812"	7.00"	6.50"	4.88"	4HWD	85WB	CP85WB-HWD-PL ¹³
5.844"	1.490"	2.812"	7.00"	6.50"	4.88"	2HWD/2DWT	85WB	CP85WB-HB
5.844"	1.490"	2.812"	7.00"	6.50"	4.88"	2HWD/2DWT	85WB	CP85WB-HB-PL ¹³
7.597"	1.490"	2.812"	8.63"	8.25"	6.63"	4DWT	92N	CP92N-DWT
7.658"	1.340"	2.812"	8.63"	8.25"	6.63"	4DWT	92N	GCP92N-DWT*
7.597"	1.490"	2.812"	8.63"	8.25"	6.63"	4DWT	92N	CP92N-DWT-PL ¹³
7.597"	1.490"	2.812"	8.63"	8.25"	6.63"	4HWD	92N	CP92N-HWD
7.658"	1.340"	2.812"	8.63"	8.25"	6.63"	4HWD	92N	GCP92N-HWD*

¹³ Permalube.
*Pricepoint version U-joint

U—JOINT KITS — WING TYPE COMBINATIONS



LWD --- LOW WING
DRILLED
LWT --- LOW WING
THREADED



HWD --- HIGH WING
DRILLED
HWT --- HIGH WING
THREADED

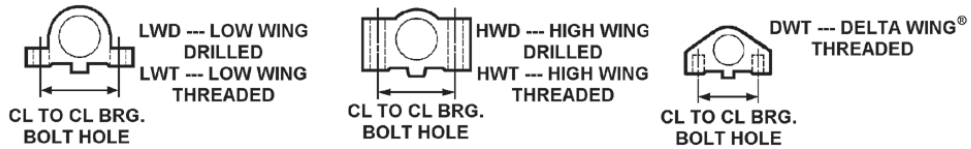
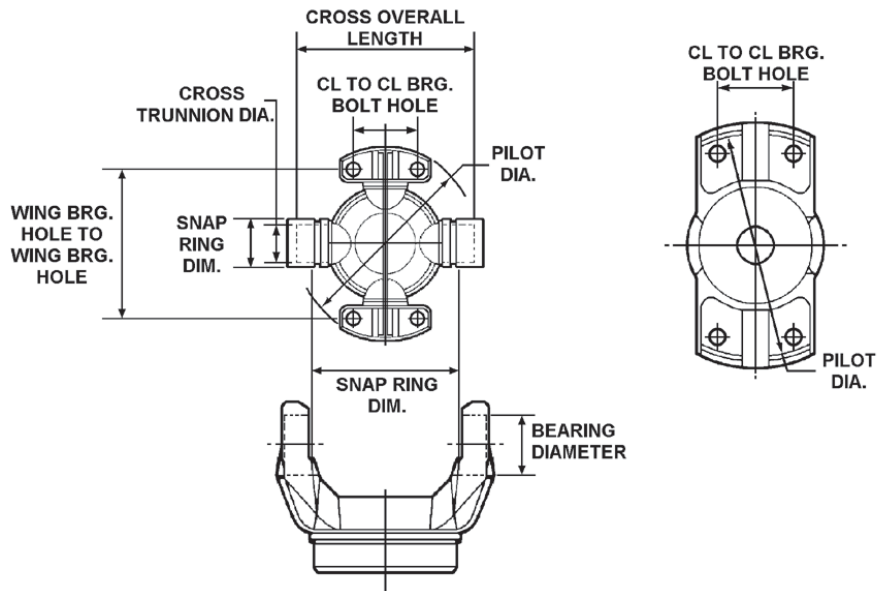


DWT --- DELTA WING®
THREADED

Cross Length	Cross Trunnion Dia.	CL to CL Brg. Bolt Hole	Swing Dia.	Pilot Dia.	Wing Brg. Hole to Wing Brg. Hole	Wing & Round Brg. Type	Series	Part Number
7.597"	1.490"	2.812"	8.63"	8.25"	6.63"	4HWD	92N	CP92N-HWD-PL ¹³
7.597"	1.490"	2.812"	8.63"	8.25"	6.63"	4HWD	92N	CP92N-70 ¹⁵
7.597"	1.490"	2.812"	8.63"	8.25"	6.63"	2HWD/2DWT	92N	CP92N-HB
7.600"	1.490"	2.812"	8.63"	8.25"	6.63"	2HWD/2DWT	92N	GCP92N-HB*
7.597"	1.490"	2.812"	8.63"	8.25"	6.63"	2HWD/2DWT	92N	CP92N-HB-PL ¹³
7.625"	1.043"	1.938"	8.50"	8.13"	6.88"	4DWT	82N	CP82N-DWT
7.768"	1.000"	1.938"	8.50"	8.13"	6.88"	4DWT	82N	GCP82N-DWT*
7.625"	1.043"	1.938"	8.50"	8.13"	6.88"	4HWD	82N	CP82N-HWD
7.768"	1.000"	1.938"	8.50"	8.13"	6.88"	4HWD	82N	GCP82N-HWD*
7.625"	1.043"	1.938"	8.50"	8.13"	6.88"	4HWD	82N	CP82N-HWD-PL ¹³
7.625"	1.043"	1.938"	8.50"	8.13"	6.88"	4HWD	82N	CP82N-68 ¹⁵
7.625"	1.043"	1.938"	8.50"	8.13"	6.88"	2HWD/2DWT	82N	CP82N-HB
7.768"	1.000"	1.938"	8.50"	8.13"	6.88"	2HWD/2DWT	82N	GCP82N-HB*
7.625"	1.043"	1.938"	8.50"	8.13"	6.88"	2HWD/2DWT	82N	CP82N-HB-PL ¹³
7.625"	1.043"	1.938"	8.50"	8.13"	6.88"	2HWD/2DWT	82N	CP82N-7715
7.865"	1.665"	3.500"		8.75"	6.80"	4HWD	J490	R49014
8.062"	1.900"	3.500"		8.75"	6.80"	4HWD	J600	R60014

¹³ Permalube.
¹⁵ Contains hardware for drilled yokes
*Pricepoint version U-joint

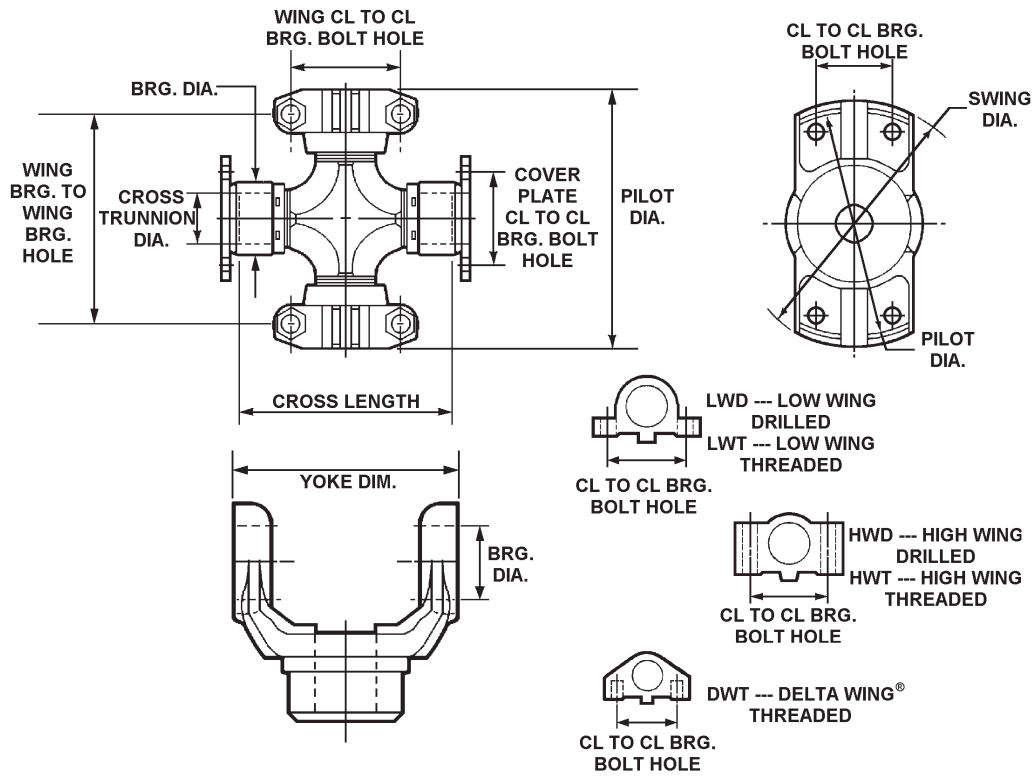
U—JOINT KITS — 2 WING TYPE AND 2 ROUND BEARINGS



Cross Length	Cross Trunnion Dia.	CL to CL Brg. Bolt Hole	Pilot Dia.	Brg. Dia.	Snap Ring Dia.	Wing Brg. Hole to Wing Brg. Hole	Wing & Round Bearing Type	Series	Part Number
2.870"	0.578"	1.312"	3.11"	2.338"	1.000"	2.38"	2LWT/2RND	2CRL	CP2031
2.870"	0.578"	1.312"	3.11"	2.338"	1.000"	2.38"	2LWD/2RND	2CSRL	CP2033¹⁷
3.311"	0.657"	1.438"	3.55"	2.558"	1.125"	2.75"	2LWT/2RND	3CRL	CP3012
3.999"	0.663"	1.938"	4.23"	3.244"	1.125"	3.44"	2LWT/2RND	4CRL	CP4102
4.249"	0.819"	1.687"	4.52"	3.309"	1.313"	3.50"	2LWD/2RND	5CSRL	CP5015
4.250"	0.819"	1.687"	4.52"	3.309"	1.313"	3.50"	2LWT/2RND	5CRL	CP5008

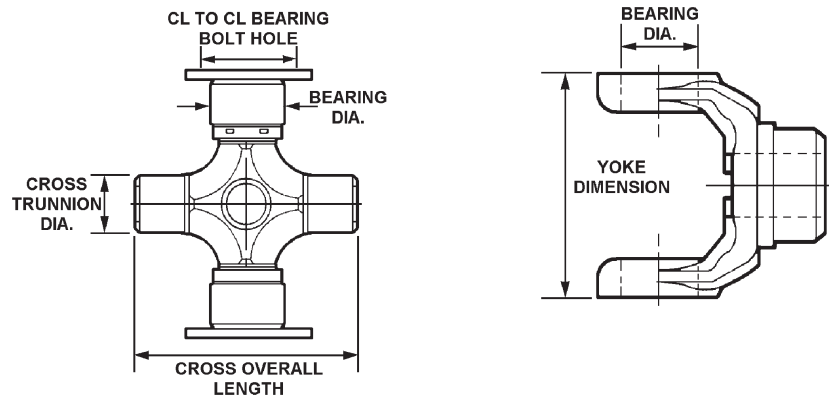
17 Lube fitting in round bearing.

U—JOINT KITS — WING TYPE AND COVER PLATE HYBRID



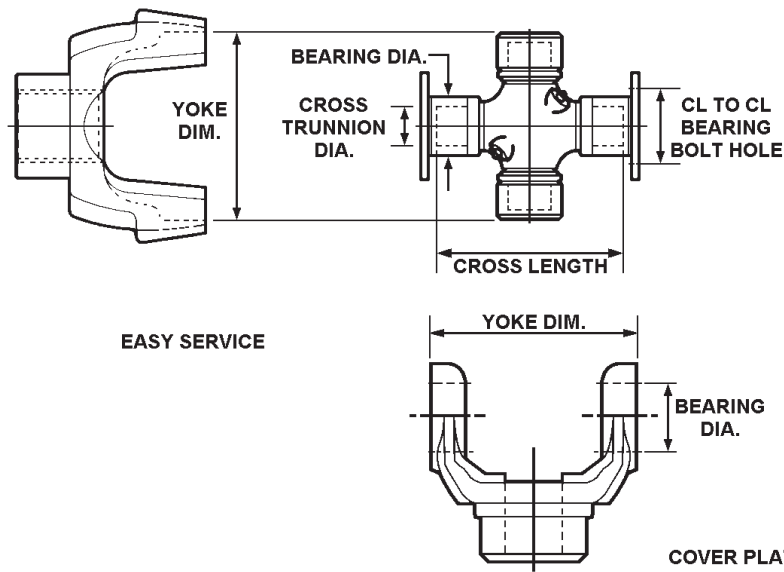
Cross Length	Cross Trunnion Dia.	Wing CL to CL Brg. Bolt Hole	Brg. Dia.	Pilot Dia.	Yoke Dim.	Cover Plate CL to CL Brg. Bolt Hole	Wing Brg. to Wing Brg. Hole	Swing Dia.	Wing & Cover Plate Type	Part Number
7.092"	1.363"	2.812"	1.937"	8.25"	7.55"	2.440"	6.63"	8.50"	2RND2HWD	CP18N-96

U—JOINT KITS — BEARING PLATE



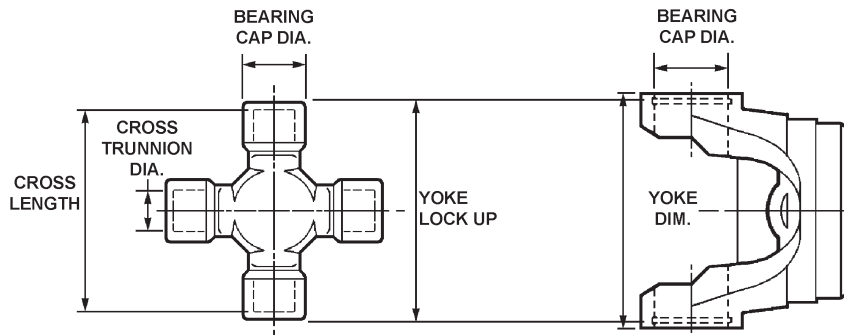
Cross Length	Cross Trunnion Diameter	CL to CL Bearing Bolt Hole	Bearing Diameter	Yoke Dimension	Series	Part Number
4.250"	.996"	2.00"	1.562"	4.56"	1500, 5N	GCP115X
4.250"	0.996"	2.000"	1.562"	4.56"	1500, 5N	CP115X
4.877"	1.269"	2.312"	1.875"	5.31"	16N	CP279X
4.877"	1.269"	2.312"	1.875"	5.31"	16N	M279X
4.877"	1.269"	2.312"	1.875"	5.31"	16N	US279X
5.635"	1.363"	2.438"	1.937"	6.09"	17N	M280X
5.635"	1.363"	2.438"	1.937"	6.09"	17N	US280X
5.784"	1.298"	2.432"	1.937"	6.09"	17N	CP280X
6.283"	1.681"	2.810"	3.210"	6.44"	18N	CP124X
6.283"	1.681"	2.810"	3.210"	6.44"	18N	GCP124X
6.542"	1.363"	2.438"	1.937"	7.00"	176N	M407X
6.542"	1.363"	2.438"	1.937"	7.00"	176N	US407X
6.692"	1.298"	2.432"	1.937"	7.00"	176N	CP407X
7.092"	1.363"	2.438"	1.937"	7.55"	18N	US281X
7.092"	1.363"	2.438"	1.937"	7.55"	18N	M281X
7.242"	1.298"	2.432"	1.937"	7.55"	18N	CP281X

U—JOINT KITS — MERITOR EASY SERVICE



Cross Length	Cross Trunnion Diameter	Cap Hole Center to Center	Bearing Diameter	Yoke Dimension Between Nibbs	Yoke Dimension Across Ears	Series	Part Number
5.001"	1.272"	2.308"	1.875"	5.31"	5.31"	16N	US674X
5.001"	1.272"	2.308"	1.875"	5.31"	5.31"	16N	M674X ¹⁸
5.001"	1.272"	2.308"	1.875"	5.31"	5.31"	16N	CP674X ²¹
5.784"	1.298"	2.432"	1.937"		6.09"	17N	M675X ¹⁹
5.784"	1.298"	2.432"	1.937"	6.19"	6.09"	17N	US675X
5.784"	1.298"	2.432"	1.937"	6.19"	6.09"	17N	CP675X ²¹
6.541"	1.298"	2.432"	1.937"	7.09"	7.00"	176N	CP677X ²¹
6.541"	1.298"	2.432"	1.937"	7.09"	7.00"	176N	US677X
6.541"	1.298"	2.432"	1.937"	7.09"	7.00"	176N	M677X ¹⁹
7.242"	1.298"	2.432"	1.937"		7.55"	18N	M676X ¹⁹
7.242"	1.298"	2.432"	1.937"	7.63"	7.55"	18N	US676X
7.242"	1.298"	2.432"	1.937"	7.63"	7.55"	18N	CP676X ²¹

DUAL PLANE RETAINER



Bearing Diameter	Yoke Lock Up	Hardware Kit	Lube Fitting	Series	Part Number
2.165"	6.024" (2) 6.457" (2) 2 Round Bearings w/plate 2 Round	KIT-US250-170X	Y	SPL170	US170X ²²
2.361"	5.984" (2) 6.413" (2) 2 Round Bearings w/plate 2 Round	KIT-US250-170X	Y	SPL250	US250X ²²

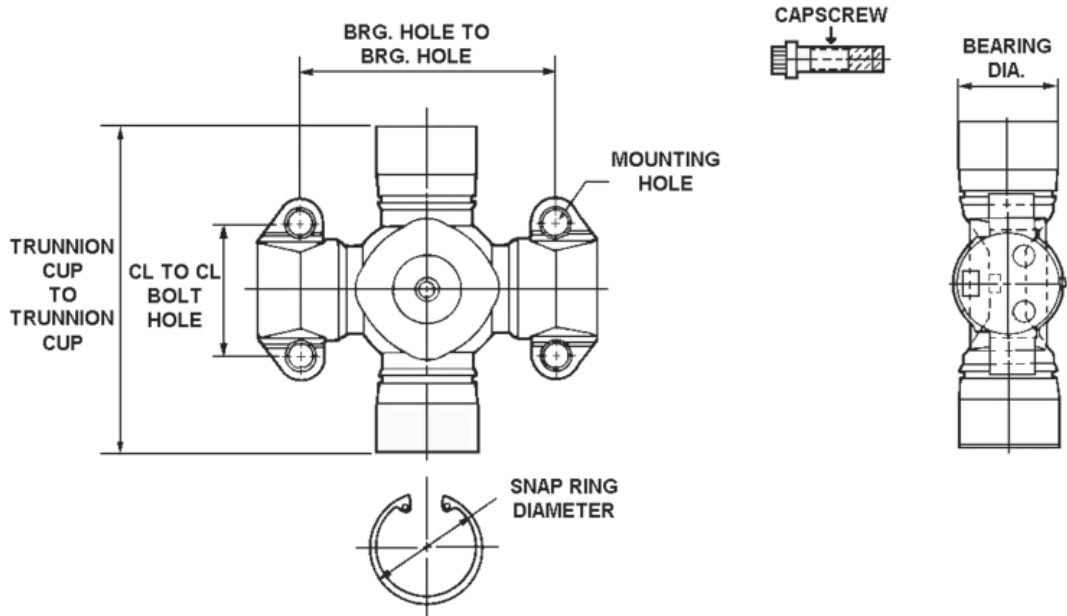
¹⁸ Includes two REBC16S retainer straps.

¹⁹ Includes two REBC17S retainer straps.

²¹ Attaching hardware included

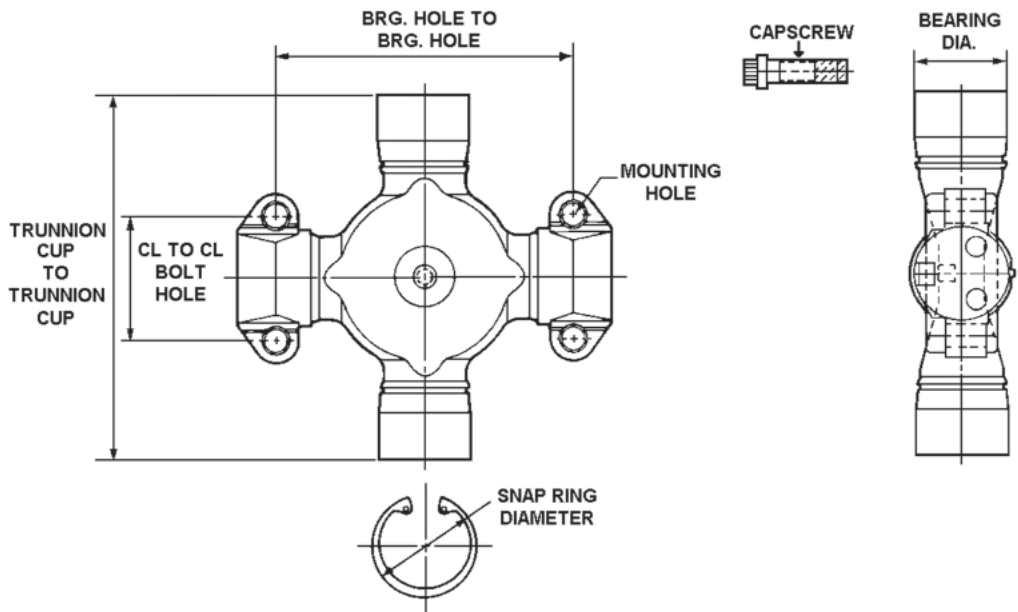
²² Inboard attaching hardware included for use with these construction u-joints only. Not interchangeable with OEM retention hardware or u-joint. Outboard bearing retainers by OEM only.

U—JOINT KITS — RPL SERIES



Snap Ring Dia. /Part Number	Bearing Diameter	CL to CL Bolt Holes	Brg. Hole to Brg. Hole	Mounting Hole Size	Capscrow Size / Part Number	Hardware Kit	Trunnion Cup to Trunnion Cup	Part Number
2.29" RRIR36-4	2.06"	2.81"	5.30"	.53"	.50" - 20 CSC8-20-52	KIT RPL25-20	6.88"	CP20 RPL S

U—JOINT KITS — RPL SERIES



Snap Ring Dia. /Part Number	Bearing Diameter	CL to CL Bolt Holes	Brg. Hole to Brg. Hole	Mounting Hole Size	Capscrow Size / Part Number	Hardware Kit	Trunnion Cup to Trunnion Cup	Part Number
2.29" RRIR36-4	2.06"	2.81"	6.63"	.53"	.50" - 20 CSC8-20-52	KIT RPL25-20	8.20"	CP25 RPL S

U—JOINT SIZES / RATINGS/ SPEEDS / TUBE SIZES

U-JOINT SERIES	ELECTRIC MOTOR TORQUE		GAS or DIESEL TORQUE		DYNAMIC CAPACITY		SWING DIAMETER		MAX. LENGTH JOINT YIELD TORQUE		MAX. RPM (3)	STANDARD TUBE SIZE	MAX. LENGTH (CL - CL) INSTALLED @ MAX. RATED RPM	
	lb-ft	N.m	lb-ft	N.m	lb-ft	N.m	in.	mm	lb-ft	N.m			in.	in.
L6	84	114	61	83	170	231	2.47"	60	667	905	1000	1.5 x .120	60	1524
L15 (1)	172	234	126	170	349	473	3.25"	82	-	-	5000	N/A	N/A	N/A
L15 (2)	257	348	187	254	520	705	3.38"	86	-	-	5000	N/A	N/A	N/A
131N	195	265	130	175	410	555	3.50"	89	1950	2640	6000	3.0 x .083	47	1194
133N	220	300	150	205	475	640	4.00"	102	2330	3160	5000	3.5 x .083	51	1283
135N	310	420	210	285	607	820	4.13"	105	3080	4175	5000	3.0 x .083	51	1295
141N	291	394	212	288	589	798	4.63"	117	3750	5080	4000	3.0 x .083	51	1295
148N	413	560	301	409	836	1134	5.13"	130	5000	6780	4000	3.5 x .083	55	1397
155N	515	698	376	510	1043	1414	6.00"	152	6250	8470	4000	3.5 x .095	55	1397
16N	921	1248	672	911	1864	2527	7.00"	178	7100	9630	4000	3.5 x .134	61	1549
17N	1364	1849	995	1350	2762	3744	7.75"	197	9600	13010	4000	4.06 x .165	62	1575
176N	1629	2208	1189	1612	3298	4471	8.44"	214	16000	21700	4000	4.09 x .180	62	1676
18N	1790	2426	1306	1771	3623	4913	9.13"	232	21000	28500	4000	4.59 x .180	66	1676
62N	611	828	446	604	1236	1676	5.84"	148	5000	6780	4000	3.5 x .095	55	1397
58WB	754	1023	551	747	1528	2071	5.63"	143	7025	9525	4000	3.5 x .095	55	1397
72N	804	1090	587	795	1627	2206	6.29"	160	7080	9600	4000	3.5 x .134	61	1549
82N	1203	1631	878	1190	2436	3303	8.50"	216	11080	15025	4000	4.06 x .165	62	1575
85WB	1304	1768	952	1290	2640	3580	7.00"	178	12500	16950	4000	4.09 x .180	62	1676
92N	1768	2397	1291	1750	3580	4854	8.63"	219	23000	31190	4000	4.59 x .150	66	1676

- (1) Standard
- (2) High performance
- (3) Rating applies to u-joint

ATTACHING HARDWARE TORQUE SPECS

MERITOR EASY SERVICE KITS U-BOLT AND STRAP & BOLT KITS

SERIES	BRG. DIAMETER	U-JOINT KIT	U-BOLT KIT	THREAD SIZE	TORQUE SPECS. LB. FT.
131N	1.063"	CP153X	KT116	.31" - 24	14-17
133N	1.063"	CP213X	KT116	.31" - 24	14-17
135N	1.188"	CP178X	KT117	.38" - 24	20-24
141N	1.188"	CP160X	KT117	.38" - 24	20-24
148N	1.375"	CP188X	KT118	.44" - 20	32-37
155N	1.375"	CP155X	KT118	.44" - 20	32-37

STRAP & BOLT KIT	THREAD SIZE	TORQUE SPECS. LB. FT.
-	-	-
-	-	-
KT122 1	.31" - 24	30-35
KT122 1	.31" - 24	30-35
KT124 2	.38" - 24	55-60
KT124 2	.38" - 24	55-60

or
or
or
or

16N	1.875"	M674X	-	-	-
17N	1.937"	M675X	-	-	-
176N	1.937"	M677X	-	-	-
18N	1.937"	M676X	-	-	-

KT16SB	.38" - 24	55-60
KT17SB	.50" - 20	130-135
KT17SB	.50" - 20	130-135
KT17SB	.50" - 20	130-135

LOCKPATCH BOLT STYLE

SERIES	MERITOR MXL U-JOINT KITS	LOCK-PATCH (8) BOLTS	THREAD SIZE	TORQUE SPECS LB. FT.
16N	M279X	S-165B-2	.38" - 24	38-48
17N	M280X	S-165B-2	.38" - 24	38-48
176N	M407X	S-165B-2	.38" - 24	38-48
18N	M281X	S-165B-2	.38" - 24	38-48

WING STYLE

SERIES	THREAD SIZE	TORQUE SPECS LB. FT.
62N	.38" - 24	40-50
58WB	.44" - 20	63-83
72N	.50" - 20	90-110
72N	.44" - 20	63-83
82N	.44" - 20	63-83
82N	.50" - 20	90-110
92N	.50" - 20	90-110

DUAL-PLANE RETAINER

SERIES	MERITOR U-JOINT KITS	RETAINER	TORQUE SPECS LB. FT.
SPL*170	US170X	(4) Bolts (2) Retainers	25-30 ³
SPL*250	US250X	(4) Bolts (2) Retainers	25-30 ³

1 Kit KT125 is used with a threaded yoke and includes four lockwashers. For a drilled yoke use Kit KT121
 2 Kit KT126 is used with a threaded yoke and includes four lockwashers. For a drilled yoke use Kit KT123.
 3 Torque specs for inboard side dual-plane retainers. Torque specs for outboard side bearing retainers 115-125 ft.lbs. (OEM only).
 * SPL® is a registered trademark of Dana Corporation.

SECTION 11

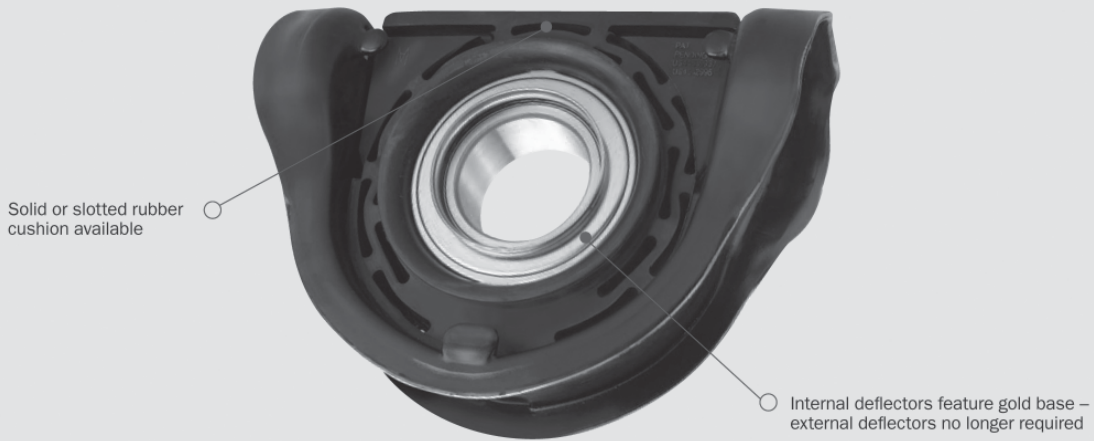
INDEX

Center Bearings	Page
Assemblies for Midship Bearing Stubs	11-1
Type 1 - Round with No Mounting Bracket	11-3
Type 2 - Slotted Rubber Cushion	11-4
Type 2 - Solid Cushion	11-3
Type 3 - Round with Mounting Bracket	11-6

MERITOR® GOLD™ SELF-ALIGNING CENTER BEARINGS

Performance Advantages:

- Meritor® industry-leading driveline design and technology
- Patent-pending design assures optimum alignment of the center bearing to the driveshaft under all operating conditions
- Provides OEM production customers design and assembly benefits, and aftermarket customers competitive and technical advantages
- Ideal for the most popular heavy-duty truck and tractor applications



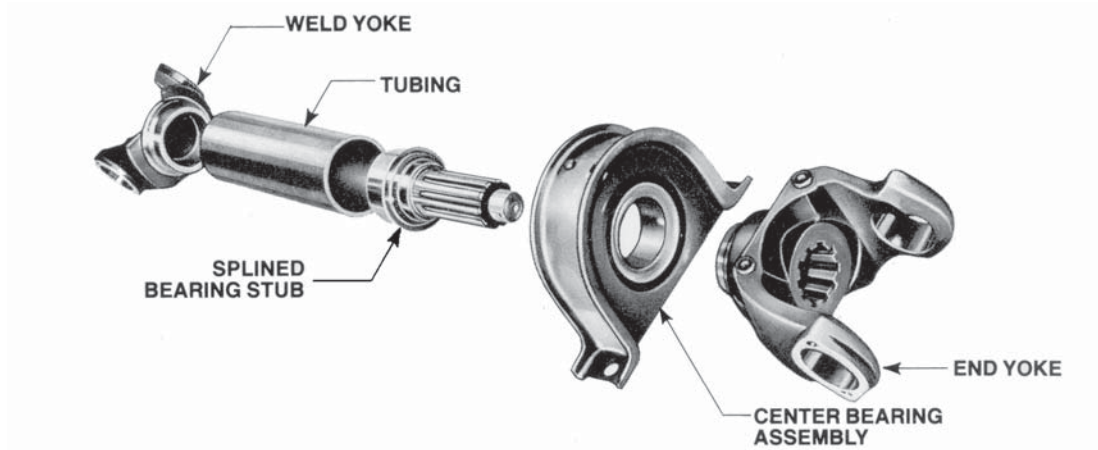
DRIVELINE SERIES	CUSHION TYPE	BEARING DIAMETER	HEIGHT	MOUNTING HOLES (CENTER TO CENTER)	COMPETITIVE PART NUMBER	MERITOR GOLD PART NUMBER
176N, 17N (Heavy Duty), 18N	Solid	2.36"	3.38"	8.62"	210875-1X	CB210875-1XSA
176N, 17N (Heavy Duty), 18N, 85WB, 92N	Slotted	2.36"	3.38"	8.62"	210661-1X	CB210661-1XSA
17N, 58WB, 72N, 82N	Slotted	1.968"	2.81"	7.62"	210121-1X	CB210121-1XSA

Features and Benefits:

- Rubber cushion pivots in the bracket, allowing +/-5 degrees of driveline angularity
- Reduced risk of premature bearing wear due to misalignment
- Provides a common mounting platform on the crossmember or mounting bracket. No shimming or bracket changes are necessary to achieve desired alignment
- Unique design protects the bearing against contamination without the use of external deflectors
- Backward compatibility with previous Meritor or current competitive designs
- Meritor Gold self-aligning center bearings should not be replaced with traditional, non-self-aligning center bearings, due to possible angularity issues

For more information, call the customer service team at 888-725-9355 or visit XpresswayPlus.Meritor.com.

CENTER BEARING ASSEMBLIES FOR MIDSHIP BEARING STUBS

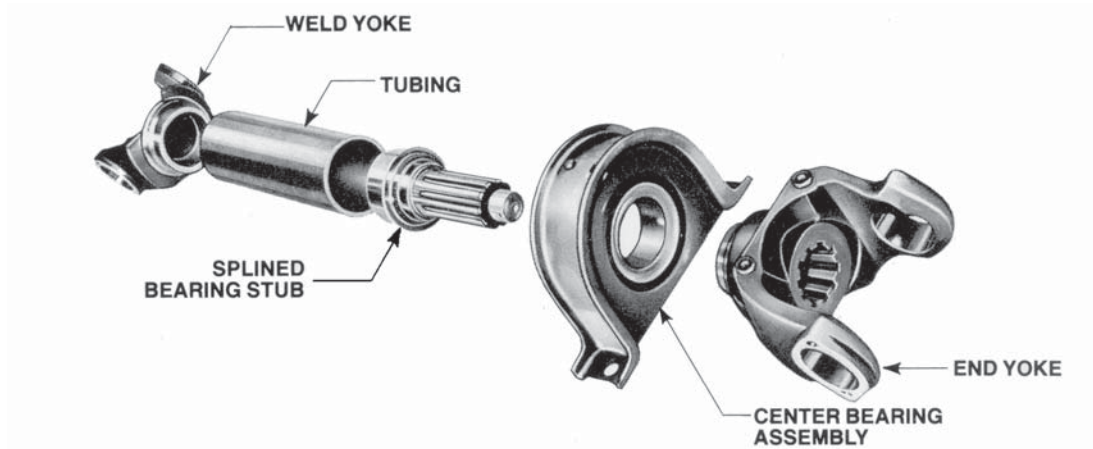


JOINT SERIES	WELD YOKE	TUBING	BEARING STUB & (NUT)	CENTER BEARING/ (Cushion type)	END YOKE
16N	16N-28-627	RT-35-10	16N-53-141 ¹	CB210084-2X (Slotted) (5)	16N-4-1721 (FR) 16N-4-1721-1 (HR)
17N	17N-28-137	RT-35-156	17N-53-151 ³	CB210121-1XSA (Slotted) CB310012-1XSA (Solid)	17N-4-1981 (FR)
	17N-28-347	RT-4-10 RT-406-165 RT-4095-7	17N-53-201 ³	CB210121-1XSA (Slotted) CB310012-1XSA (Solid)	17TYSC31-54 (HR)
	17N-28-347	RT-4-10 RT-406-165 RT-4095-7	BSS32-34 ^{2, 4}	CB210121-1XSA (Slotted) CB310012-1XSA (Solid)	17N-4-7141 (FR) ⁴ 17N-4-7141-1 (HR)
17N HEAVY DUTY	17N-28-347	RT-406-165 RT-4095-7	17N-53-311 ²	CB210661-1XSA (Slotted) CB210875-1XSA (Solid)	17N-4-4601 (FR) 17N-4-4601-1 (HR)
176N	176N-28-17	RT-4-10 RT-406-165 RT-4095-7	17N-53-311 ²	CB210661-1XSA (Slotted) CB210875-1XSA (Solid)	176N-4-161 (FR) 176N-4-161-1 (HR)
18N	18N-28-117	RT-45-10 RT-459-7	18N-53-91 ²	CB210661-1XSA (Slotted) CB210875-1XSA (Solid)	18N-4-1891 (FR)
	18N-28-127	RT-45-3	18N-53-51 ²	CB210661-1XSA (Slotted) CB210875-1XSA (Solid)	18N-4-1891-1 (HR)

FR-Full Round bearing yoke
HR-Easy Service "Half Round" yoke
1 Use 1227-Z-936 & WAR21-3.
2 Use 1227-Z-936 & WAR21-1.

3 Use 1227-Z-936 & WAR20-1.
4 New 2" involute design.
5 Generic equivalent also available. (GCB210084-2X).

CENTER BEARING ASSEMBLIES FOR MIDSHIP BEARING STUBS

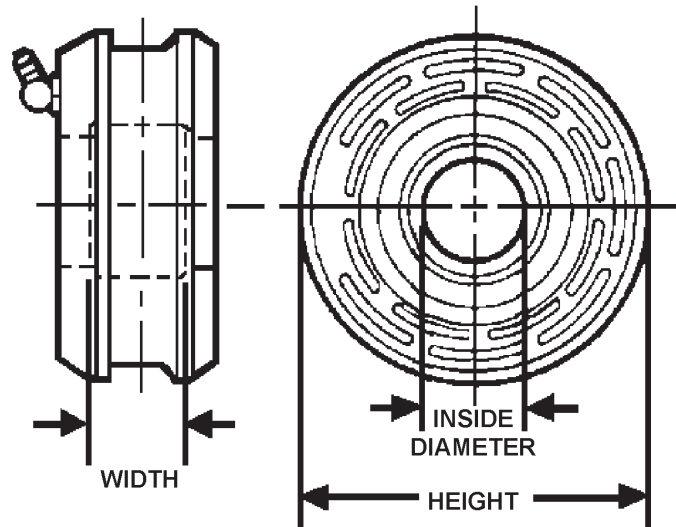


JOINT SERIES	WELD YOKE	TUBING	BEARING STUB & (NUT)	CENTER BEARING/ (Cushion type)	END YOKE
58WB	58WBY52-8 (DR)	RT-35-10	BSS31-23 ³	CB210121-1XSA (Slotted) CB310012-1XSA (Solid)	58WBYS31-29 (TH)
72N	72NY51-4 (DR)	RT-35-156	17N-53-151 ³	CB210121-1XSA (Slotted) CB310012-1XSA (Solid)	72NYS31-60 (DR)
	72NYS52-20 (DR)	RT-35-10	BSS31-23 ⁶	CB210121-1XSA (Slotted) CB310012-1XSA (Solid)	
	72NY60-3 (TH)	RT-4-10	17N-53-201 ³	CB210121-1XSA (Slotted) CB310012-1XSA (Solid)	
82N	82NY60-16 (TH)	RT-4-10	17N-53-201 ³	CB210121-1XSA (Slotted)	
	82NY60-19 (DR)	RT-4095-7		CB310012-1XSA (Solid)	
85WB	85WBY60-11 (DR)	RT-4-10	17N-53-201 ³	CB210121-1XSA (Slotted)	85WBYS31-6 (TH)
	85WBY60-3 (TH)	RT-4095-7		CB310012-1XSA (Solid)	
	85WBY60-3 (TH)	RT-4-10	17N-53-311 ²	CB210661-1XSA (Slotted)	85WBYS38-17 (TH)
	85WBY60-11 (DR)	RT-4095-7		CB210875-1XSA (Solid)	
92N	92NY64 (TH)	RT-45-3	18N-53-51 ²	CB210661-1XSA (Slotted)	92NYS38-33 (TH)
				CB210875-1XSA (Solid)	
	92NY68-1 (TH)	RT-459-180	18N-53-91 ²	CB210661-1XSA (Slotted)	
	92NY68-2 (DR)			CB210875-1XSA (Solid)	
	18N-28-127	RT-45-3	18N-53-51 ²	CB210661-1XSA (Slotted)	18N-4-1891-1 (HR)
				CB210875-1XSA (Solid)	

DR-Drilled Holes
TH-Threaded Holes
2 Use 1227-Z-936 & WAR21-1.

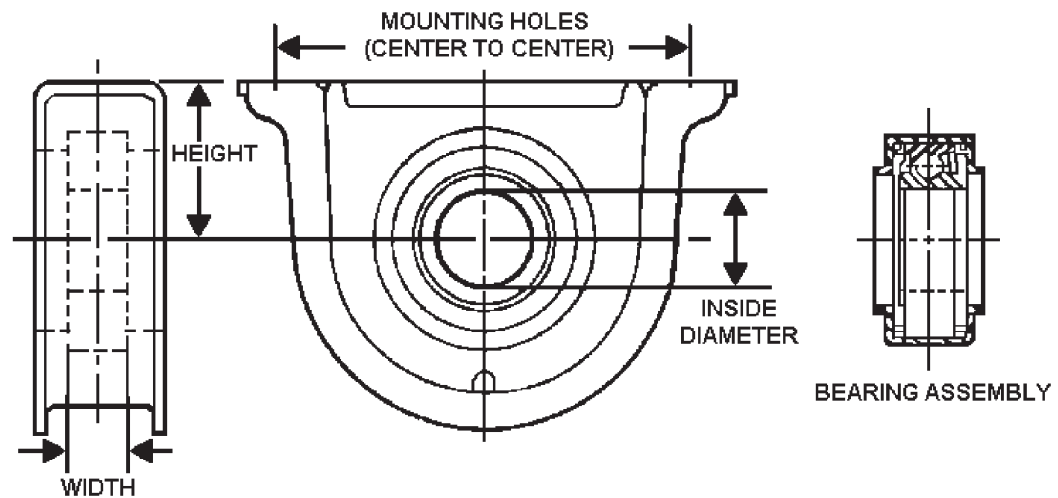
3 Use 1227-Z-936 & WAR20-1.
6 Use 1227-Z-936 & 1229-A-265.

CENTER BEARINGS — TYPE 1 — ROUND WITH NO MOUNTING BRACKET



Bearing I.D. Max./Min.	Bearing Width	Height	Part Number
1280 and 131N and 133N SERIES			
1.3750"/1.3745"	.75"	3.50"	CB310008-1X
1.3780"/1.3775"	.98"	3.50"	CB310011-1X

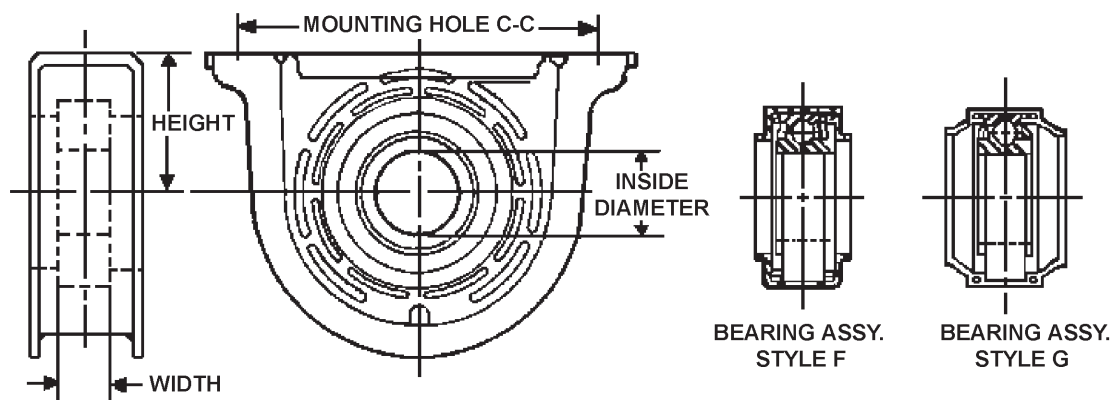
CENTER BEARINGS — TYPE 2 — SOLID CUSHION



Bearing Inside Diameter Maximum/Minimum	Height	Bearing Width	Mounting Holes (Center to Center)	Front Deflector	Rear Deflector	Part Number
17N and 58WB and 72N and 82N and 85WB SERIES						
1.9685"/1.9680"	2.81"	1.19"	7.63"			CB310012-1XSA
176N and 17N (HEAVY DUTY) and 18N and 85WB and 92N SERIES						
2.3622"/2.3616"	3.38"	1.41"	8.63"			CB210875-1XSA ¹
176N and 17N (HEAVY DUTY) and 18N SERIES						
2.3622"/2.3616"	3.38"	1.41"	8.63"			CB310013-1X
2.3622"/2.3616"	3.38"	1.41"	8.63"	DEFR55-1		GCB210875-1X

¹ Self aligning center bearing. Deflectors not needed.

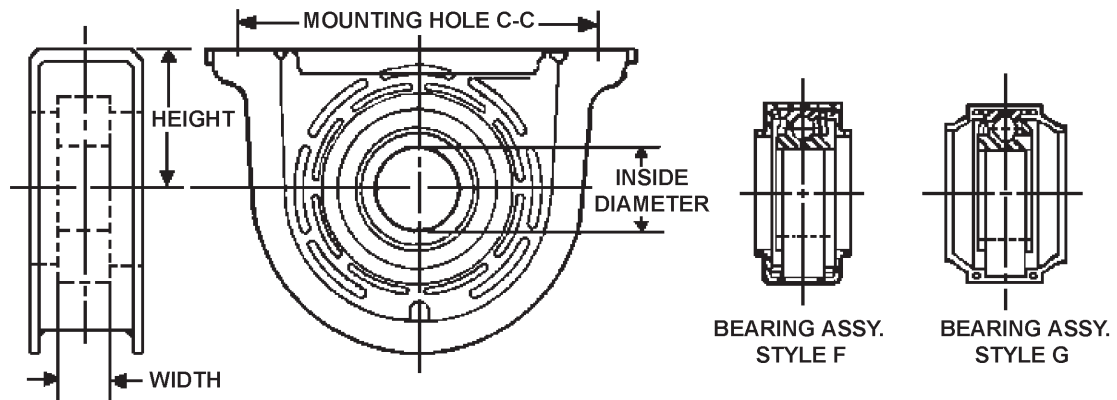
CENTER BEARINGS — TYPE 2 — SLOTTED RUBBER CUSHION



Bearing I.D. Max./Min.	Height	Bearing Width	Mtg. Holes (Ctr to Ctr)	Style	Front Deflector	Rear Deflector	Bearing Retainer Deflector	Part Number
1280 and 1310 and 1330 and 1350 and 1410 SERIES								
1.3750"/1.3745"	2.25"		6.63"	F				CB211187X²
1.3750"/1.3745"	2.25"		6.63"	F				GCB211187X²
1.3780"/1.3775"	2.25"	.98"	6.63"	F	DEFR33-1		DEFR22-5	CB210088-1X
1.3780"/1.3775"	2.25"	.98"	6.63"	F	DEFR33-1	DEFR33-1		CB210090-1X
1.3780"/1.3775"	2.25"	.98"	6.63"	G	DEFR28-4	RBR28-1		CB210367-1X
1.3780"/1.3775"	2.25"	.98"	6.63"	G	DEFR28-4		DEFR22-4	CB210370-1X
1.3780"/1.3775"	2.25"	.98"	6.63"	F				CB310006-1X
1.3780"/1.3775"	2.25"	.98"	6.63"	F	DEFR33-1	DEFR33-1	DEFR22-5	CB310006-2X
1.3780"/1.3775"	2.25"	.98"	6.63"	F				CB310006-3X
1.3780"/1.3775"	2.25"	.98"	6.63"	F	DEFR33-1		DEFR22-5	GCB210088-1X
1.3780"/1.3775"	2.25"	.98"	6.63"	F	DEFR33-1	DEFR33-1		GCB210090-1X
1.3780"/1.3775"	2.25"	.98"	6.63"	G	DEFR28-4, RBR28-1	RBR28-1		GCB210367-1X
1.3780"/1.3775"	2.25"	.98"	6.63"	G	DEFR28-4	RBR28-1	DEFR22-4	GCB210370-1X
1280 and 1310 and 1330 and 1410 SERIES								
1.3780"/1.3775"	2.25"	.98"	6.63"	G				GCB310005-1X
1.3780"/1.3775"	2.25"	.98"	6.63"	F				GCB310006-1X
131N and 135N and 141N and 148N and 155N SERIES								
1.5748"/1.5743"	2.44"	1.06"	6.63"	G	DEFR40-5		DEFR25-2	CB210140-1X
135N and 141N and 148N SERIES								
1.5748"/1.5743"	2.25"	.86"	6.63"	F	DEFR34-1		DEFR25-4	CB210866-1X
1.5748"/1.5743"	2.25"	.86"	6.63"	F	DEFR34-1	DEFR34-1		CB210873-1X
1.5748"/1.5743"	2.25"	.86"	6.63"	F				CB211016X
1.5748"/1.5743"	2.25"	.86"	6.63"	F	DEFR37-1	DEFR37-1	DEFR25-4	CB310003-1X
1.5748"/1.5743"	2.25"	.86"	6.63"	F	DEFR34-1		DEFR25-4	GCB210866-1X
1.5748"/1.5743"	2.25"	.86"	6.63"	F	DEFR34-1	DEFR34-1		GCB210873-1X
1.5748"/1.5743"	2.25"	.86"	6.63"	F				GCB211016X
1.5748"/1.5743"	2.44"	1.06"	6.63"	G	DEFR40-5	DEFR40-5	DEFR25-2	CB210144-1X
1.5748"/1.5743"	2.44"	1.06"	6.63"	G				CB310002-1X
1.5748"/1.5743"	2.44"	1.06"	6.63"	G	DEFR40-5		DEFR25-2	GCB210140-1X

² Deflectors are not sold separately.

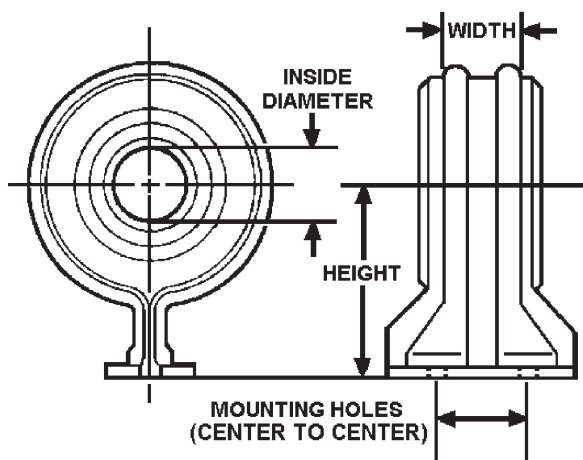
CENTER BEARINGS — TYPE 2 — SLOTTED RUBBER CUSHION



Bearing I.D. Max./Min.	Height	Bearing Width	Mtg. Holes (Ctr to Ctr)	Style	Front Deflector	Rear Deflector	Bearing Retainer Deflector	Part Number
135N and 141N and 148N SERIES								
1.5748"/1.5743"	2.44"	1.06"	6.63"	G	DEFR40-5	DEFR40-5	DEFR25-2	GCB210144-1X
1.5748"/1.5743"	2.44"	1.06"	6.63"	G				GCB310002-1X
1.5748"/1.5743"	2.47"	1.06"	6.63"	F	DEFR37-1		DEFR25-1	CB210433-1X
1.5748"/1.5743"	2.47"	1.06"	6.63"	F				CB310001-1X
1.5748"/1.5743"	2.47"	1.06"	6.63"	F	DEFR37-1	DEFR37-1		GCB210391-1X
1.5748"/1.5743"	2.47"	1.06"	6.63"	F	DEFR37-1		DEFR25-1	GCB210433-1X
1.5748"/1.5743"	2.47"	1.06"	6.63"	F				GCB310001-1X
141N and 148N and 155N and 1650 and 16N SERIES								
1.7717"/1.7712"	2.69"	1.06"	7.63"	F	DEFR41-1	DEFR41-1		CB210084-2X
155N and 16N SERIES								
1.7717"/1.7712"	2.69"	1.06"	7.63"	F	DEFR41-1	DEFR28-3		CB210207-1X
1.7717"/1.7712"	2.69"	1.06"	7.63"	F				CB310007-1X
1.7717"/1.7712"	2.69"	1.06"	7.63"	F	DEFR41-1	DEFR41-1		GCB210084-2X
1.7717"/1.7712"	2.69"	1.06"	7.63"	G				GCB210130-1X
1.7717"/1.7712"	2.69"	1.06"	7.63"	F	DEFR41-1		DEFR28-3	GCB210207-1X
1.7717"/1.7712"	2.69"	1.06"	7.63"	F				GCB310007-1X
17N SERIES								
1.9685"/1.9680"	2.81"	1.19"	7.63"	F				CB210121-1XSA¹
1.9685"/1.9680"	2.81"	1.19"	7.63"	F	DEFR35-1	DEFR35-1		GCB210121-1X
1.9685"/1.9680"	2.81"	1.19"	7.63"	F				GCB310014-1X
176N and 17N (HEAVY DUTY) and 18N SERIES								
2.3622"/2.3616"	3.38"	1.41"	8.63"	F				CB210661-1XSA¹
2.3622"/2.3616"	3.38"	1.41"	8.63"	F				CB310015-1X
2.3622"/2.3616"	3.38"	1.41"	8.63"	F	DEFR55-1	DEFR55-1		GCB210661-1X
2.3622"/2.3616"	3.38"	1.41"	8.63"	F				GCB310013-1X
2.3622"/2.3616"	3.38"	1.41"	8.63"	F				GCB310015-1X
131N and 135N and 141N and 148N and 155N and 62N SERIES								
1.5748"/1.5743"	2.47"	1.06"	6.63"	F	DEFR37-1	DEFR37-1		CB210391-1X

¹ Self aligning center bearing. Deflectors not needed.

CENTER BEARINGS — TYPE 3—ROUND WITH MOUNTING BRACKET



Bearing I.D. Max./Min.	Height	Width	Mounting Holes (Center to Center)	Part Number
1280 and 131N SERIES				
1.1811"/1.1807"	3.56"	.63"	1.50"	CB210527X
131N SERIES				
1.1811"/1.1807"	3.56"	.63"	1.50"	GCB210527X

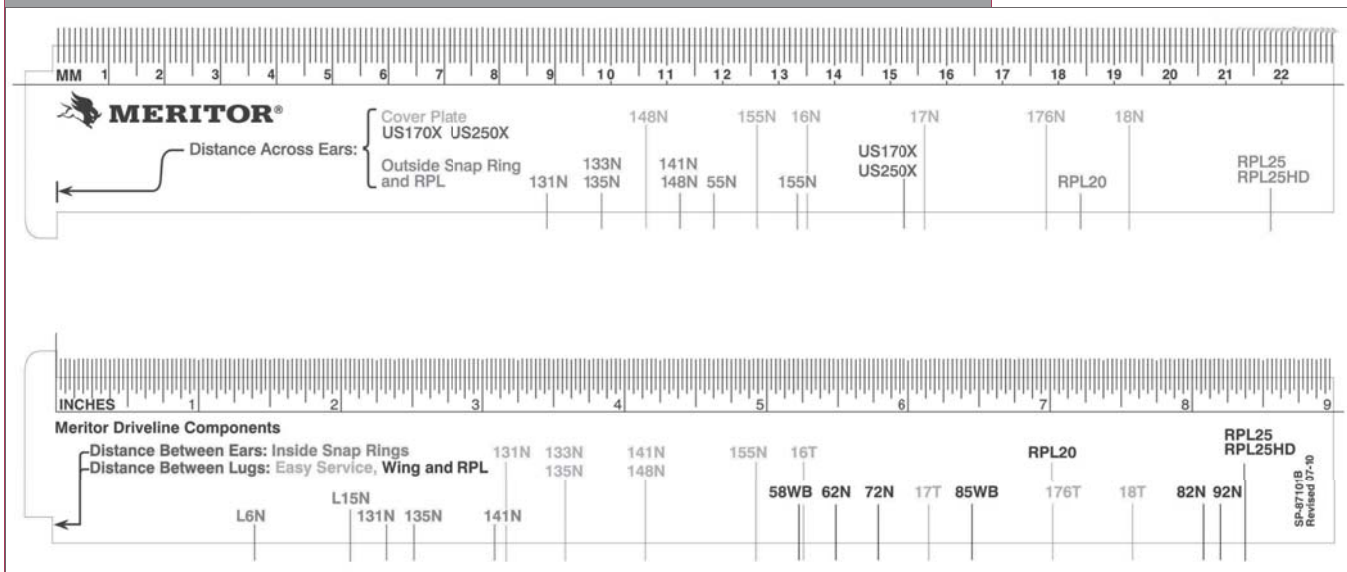
SECTION 12

INDEX

C.V. Components and P.T.O. Assemblies	Page
131N SERIES AUXILIARY POWER TAKE-OFF	
Unwelded Driveshaft Assembly	12-8
131N SERIES AUXILIARY POWER TAKE-OFF KIT	
131N Series Auxiliary Power Take-Off Kit	12-8
BALL STUD WELD YOKES	
Inside Snap Ring	12-7
Outside Snap Ring	12-7
C.V. CENTERING YOKES	
C.V. Centering Yokes	12-4
C.V. HEAD ASSEMBLIES	
C.V. Head Assemblies	12-4
Component Part Numbers	12-4
DOUBLE CENTER YOKES	
Inside Snap Ring	12-5
Outside Snap Ring	12-5
FLANGE YOKES	
Double Cardan C.V. Head - Style 1 and 2	12-6
Double Cardan C.V. Head - Style 3	12-6
SPLINE PLUG SHAFT	
For Auxiliary Power Take-Off	12-8
UNWELDED C.V. SHAFT ASSEMBLIES	
Component Part Numbers	12-2
Unwelded C.V. Shaft Assemblies	12-1
WELDED AND BALANCED C.V. SHAFT ASSEMBLIES	
Component Part Numbers	12-3

Need help measuring for the right yoke?
 Visit www.meritor.com/lod and request
 SP-87101B.

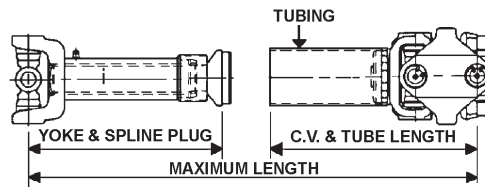
(image in black and white - gauges comes in 4-color)
 (image not to scale - please request actual ruler)



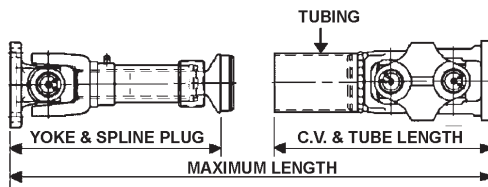
**DRIVELINE I.D. GAUGE (I.D.
 KITS) YOKE RULER**



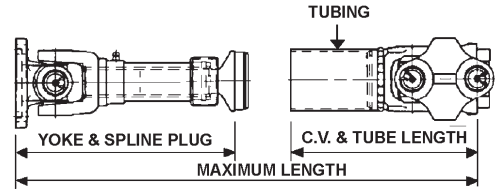
UNWELDED C.V. SHAFT ASSEMBLIES



STYLE 1



STYLE 6

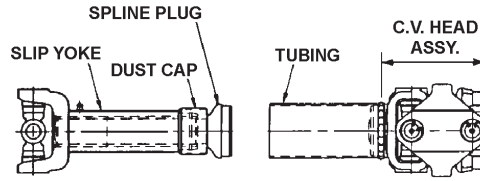


STYLE 7

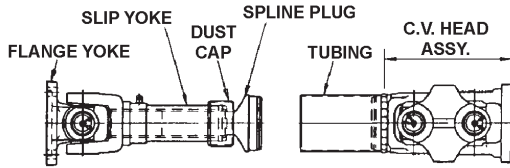
Yoke & Spline Plug Shaft Assy.

Maximum Length Extended	Maximum Length Compressed	Tubing	C.V. and Tube Length	Maximum Length	Minimum Length	Style	C.V. Shaft Assembly
121N SERIES							
52.91"	48.66"	2.50" x .065"	38.00"	14.91"	10.66"	7	R919990-3400
54.53"	50.28"	2.50" x .065"	39.63"	14.91"	10.66"	6	R919976-3400
131N SERIES							
40.94"	37.84"	2.00" x .120"	30.13"	10.81"	7.72"	1	R909365-2600
42.28"	39.19"	2.50" x .083"	30.13"	12.16"	9.06"	1	R909363-2600
133N SERIES							
42.91"	38.75"	2.50" x .083"	30.13"	12.78"	8.63"	1	R911818-2600

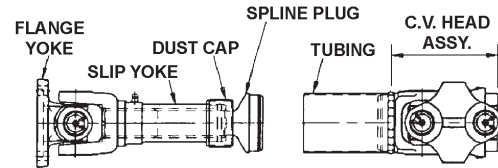
UNWELDED C.V. SHAFT ASSEMBLIES COMPONENT PART NUMBERS



STYLE 1



STYLE 6

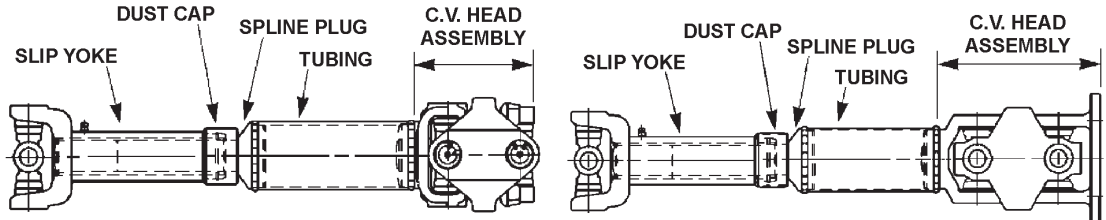


STYLE 7

Flange Yoke	Slip Yoke ¹	Dust Cap	Spline Plug	C.V. Head Assy.	Tubing	Style	C.V. Shaft Assembly
121N SERIES							
121N-2-1049	121N-3-8961KX	R280196	121N-40-2301		2.50" x .065"	6	R919976-3400
121N-2-1049	121N-3-8961KX	R280196	121N-40-2301		2.50" x .065"	7	R919990-3400
131N SERIES							
	131N-3-8001KX	R280194	131N-40-1701	R912777	2.00" x .120"	1	R909365-2600
	131N-3-8021KX	R280194	131N-40-1851	R912747	2.50" x .083"	1	R909363-2600
133N SERIES							
	133N-3-8041KX	R280194	131N-40-1851		2.50" x .083"	1	R911818-2600

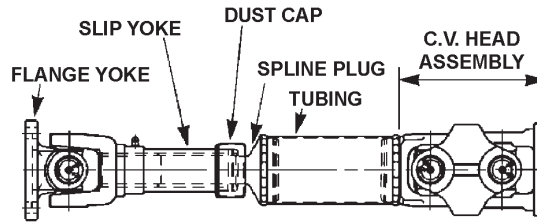
¹ Includes dust cap.

WELDED AND BALANCED C.V. SHAFT ASSEMBLIES COMPONENT PART NUMBERS



STYLE 3

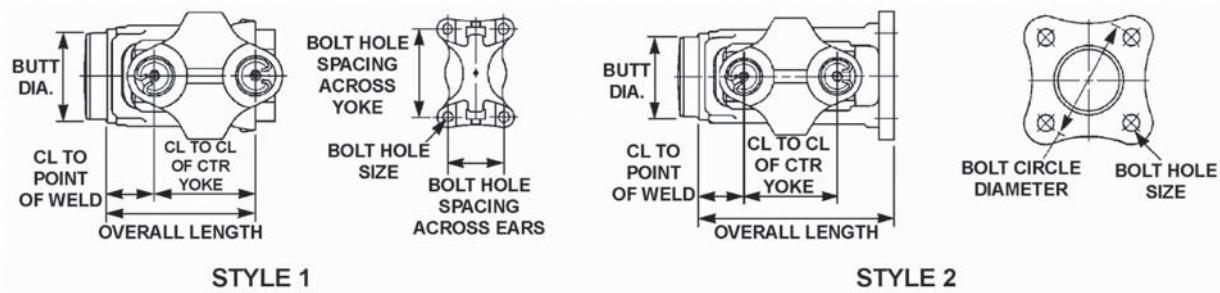
STYLE 4



STYLE 5

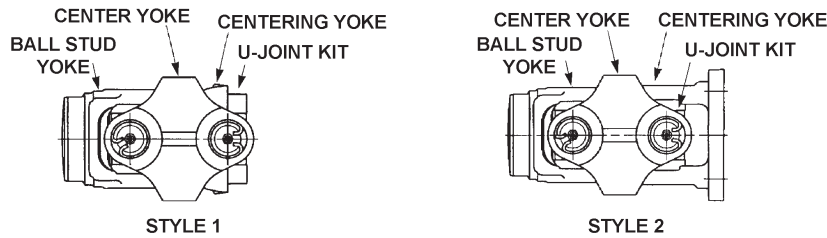
Flange Yoke	Slip Yoke	Dust Cap	Spline Plug	C.V. Head Assy.	Tubing	Style	C.V. Shaft Assembly
121N SERIES							
121N-2-1050	121N-3-8961KX	R280196	121N-40-2301		2.50" x .065"	5	R914156-1324W
131N SERIES							
	131N-3-8001KX	R280194	131N-40-1701	R912777	2.00" x .120"	3	R903862-1409W
	131N-3-8001KX	R280194	131N-40-1701	R912777	2.00" x .120"	3	R903862-1602W
	131N-3-8001KX	R280194	131N-40-1701	R912286	2.00" x .120"	4	R912170-1511W

C.V. HEAD ASSEMBLIES



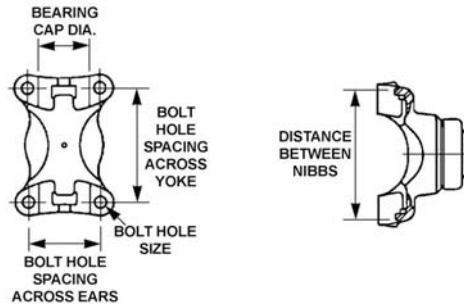
Overall Length	CL to Point of Weld	CL to CL of Center Yoke	Butt Dia.	Bolt Circle Dia.	Bolt Hole Spacing Across Yoke	Bolt Hole Spacing Across Ears	Bolt Hole Size	Style	C.V. Head Assembly
3R SERIES U-JOINT KIT: CP3147X									
6.563"	1.625"	3.250"	1.766"	4.25"			.453"	2	4137268
131N SERIES U-JOINT KIT: CP153X									
4.094"	1.438"	2.688"	1.766"		2.344"	1.50"	.313" - 24	1	R912777
4.125"	1.438"	2.688"	2.344"		2.344"	1.50"	.313" - 24	1	R912747

C.V. HEAD ASSEMBLIES COMPONENT PART NUMBERS



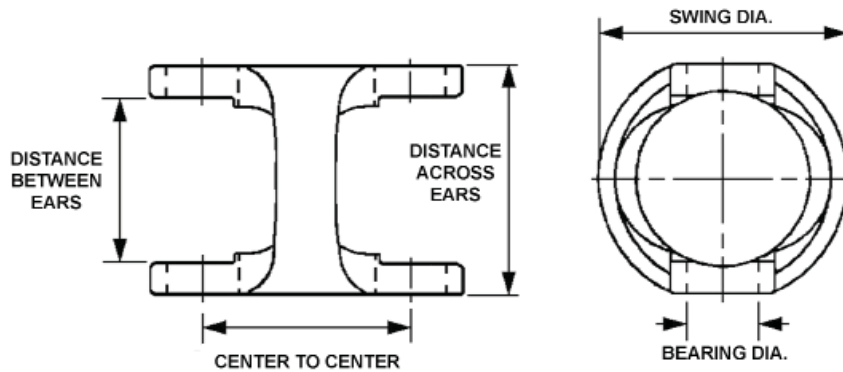
Ball Stud Yoke	Center Yoke "H" Type	Centering Yoke	Flange Socket	Tubing	Style	C.V. Head Assembly
3R SERIES U-JOINT KIT: CP3147X (2 Reqd.)						
R3R-28-869	R3R-26-57		R3R-83-482	2.00" x .120" (11 GA)	2	4137268
131N SERIES U-JOINT KIT: CP153X (2 Reqd.)						
131N-28-2957X	131N-26-497	131N-CV82-HD		2.00" x .120" (11 GA)	1	R912747
131N-28-2947X	131N-26-497	131N-CV82-HD		2.00" x .120" (11 GA)	1	R912777

C.V. CENTERING YOKES



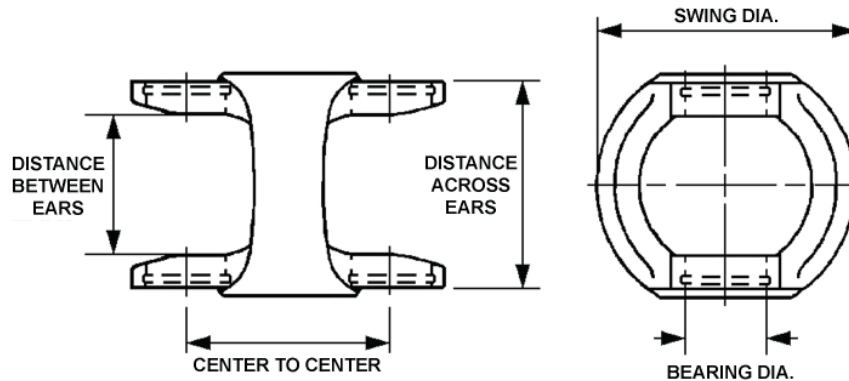
Distance Between Nibbs	Bearing Cap Diameter	Swing Diameter	Bolt Hole Size	Bolt Hole Spacing Across Yoke	Bolt Hole Spacing Ears	Stud Socket Dimension	Part Number
131N SERIES U-JOINT KIT: CP153X							
3.47"	1.06"	3.50"	.313" - 24 UNF	2.34"	1.50"	.50"	131N-CV82-HD

DOUBLE CENTER YOKES — INSIDE SNAP RING



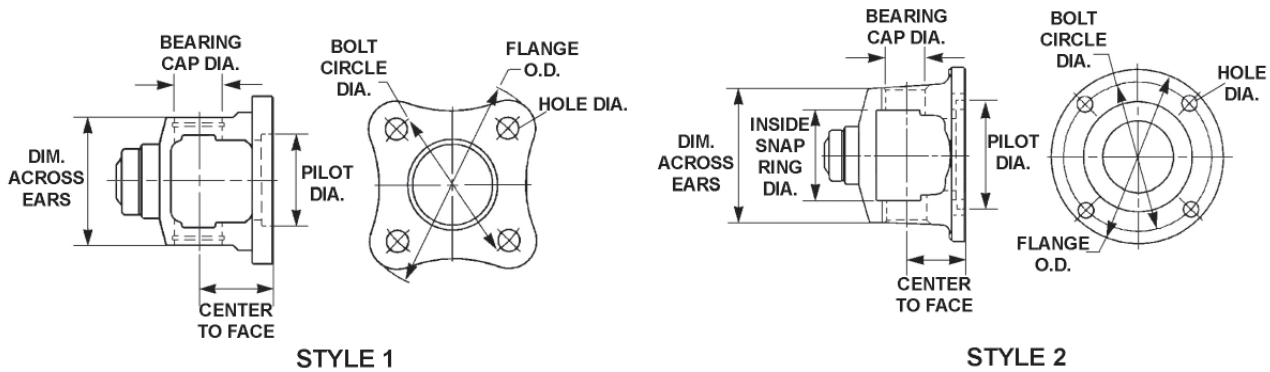
Center to Center	Distance Between Ears	Swing Diameter	Bearing Diameter	Distance Across Ears	Maximum Joint Angle	Part Number
3R SERIES		U-JOINT KIT: CP3147X				
3.25"	2.56"	4.06"	1.13"	3.56"	17°	R3R-26-57

DOUBLE CENTER YOKES — OUTSIDE SNAP RING



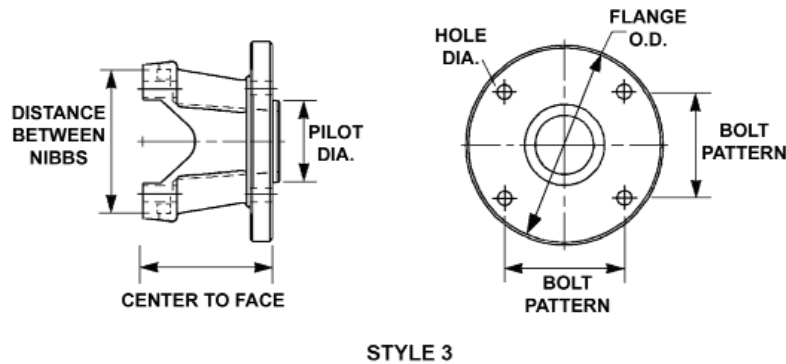
Center to Center	Distance Between Ears	Swing Diameter	Bearing Diameter	Distance Across Ears	Maximum Joint Angle	Part Number
131N SERIES		U-JOINT KIT: CP153X				
2.69"	2.22"	3.88"	1.06"	3.47"	26°	131N-26-367
2.69"	2.22"	3.88"	1.06"	3.47"	26°	131N-26-497

FLANGE YOKES — DOUBLE CARDAN C.V. HEAD — STYLE 1 AND 2



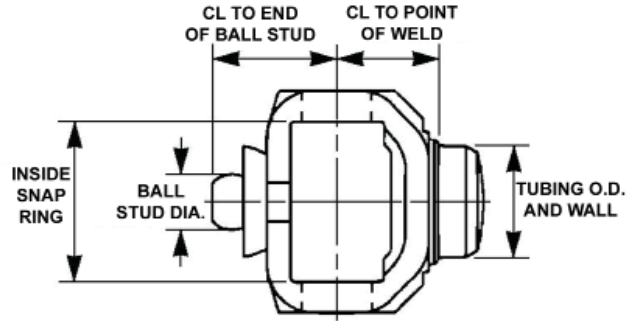
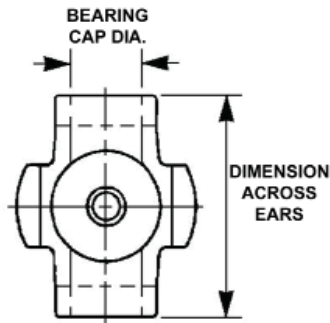
Center to Face	Pilot Dia. M=Male F=Female	Bolt Circle Dia.	Yoke Dim. Across Ears	Brg. Cap Dia.	Bolt Hole Dia.	No. of Bolt Holes	Inside Snap Ring Dim.	Flange O.D.	Stud Socket Dim.	Style	Part Number
3R SERIES U-JOINT KIT: CP3147X											
1.69"	F-3.13"	4.25"	3.56"	1.13"	.453"	4	2.56"	5.13"	.906"	2	R3R-83-482
121N SERIES U-JOINT KIT: CP443X											
1.63"	F-2.00"	3.50"	2.69"	1.06"	.500"	4		4.38"	.500"	1	121N-83-489X

FLANGE YOKES — DOUBLE CARDAN C.V. HEAD — STYLE 3



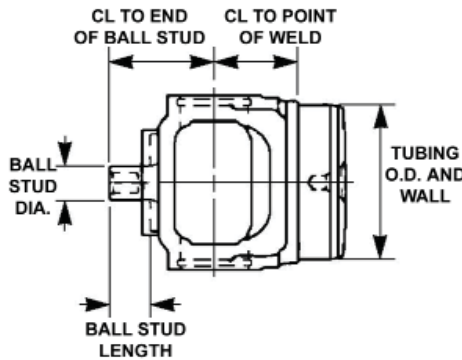
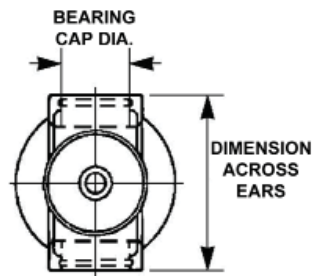
Center to Face	Pilot Dia. M=Male F=Female	Bolt Circle Dia.	Yoke Dim. Across Ears	Brg. Cap Dia.	Bolt Hole Dia.	No. of Bolt Holes	Inside Snap Ring Dim.	Flange O.D.	Stud Socket Dim.	Style	Part Number
131N SERIES U-JOINT KIT: CP153X											
2.91"	M-1.81", 46mm			1.06"	.315", 8mm	4		4.44"		3	131N-83-288X
1.63"	F-2.00"	3.50"	3.47"	1.06"	.500"	4		4.38"	.500"	1	131N-83-388X

BALL STUD WELD YOKES — INSIDE SNAP RING



Use with Tubing O.D. and Wall	Butt Dia.	CL to Weld Point	CL to End of Ball Stud	Ball Stud Dia.	Yoke Dim. Across Ears	Brg. Cap Dia.	ISR Dim.	Maximum Operating Angle	Weld Yoke Part Number
3R SERIES U-JOINT KIT: CP3147X									
2.00" x .120" (11 GA)	1.77"	1.63"	2.00"	.91"	3.56"	1.13"	2.56"	17°	R3R-28-869

BALL STUD WELD YOKES — OUTSIDE SNAP RING

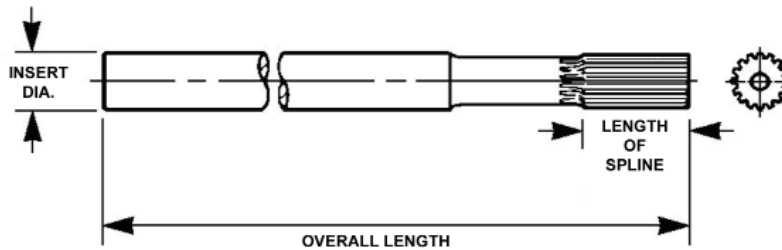


Ball Stud

Use with Tubing O.D. and Wall	Butt Dia.	Center Line to Weld Point	Center Line to End of Ball Stud	Length	Dia.	Yoke Dim. Across Ears	Brg. Cap Dia.	Maximum Operating Angle	Weld Yoke Part Number
131N SERIES U-JOINT KIT: CP153X									
2.50" x .083" (14 GA)	2.34"	1.44"	1.64"	.59"	.50"	3.47"	1.06"	13°	131N-28-1747X
1280 and 131N SERIES U-JOINT KIT: CP153X									
2.00" x .120" (11 GA)	1.77"	1.44"	1.64"	.59"	.50"	3.47"	1.06"	13°	131N-28-1777X
2" x .120" (11 GA)	1.77"	1.44"	1.64"	.59"	.50"	3.47"	1.06"	13°	131N-28-2947X
131N SERIES U-JOINT KIT: CP153X									
2.50" x .083" (14 GA)	2.34"	1.44"	1.64"	.59"	.50"	3.47"	1.06"	13°	131N-28-2957X
133N SERIES U-JOINT KIT: CP153X									
2.50" x .083" (14 GA)	2.34"	1.38"	1.67"	.59"	.50"	3.875"	1.06"		133N-28-3067X
135N SERIES U-JOINT KIT: CP153X									
3.00" x .083" (14 GA)	2.84"	1.44"	1.73"	.59"	.50"	3.875"	1.19"		135N-28-1327X

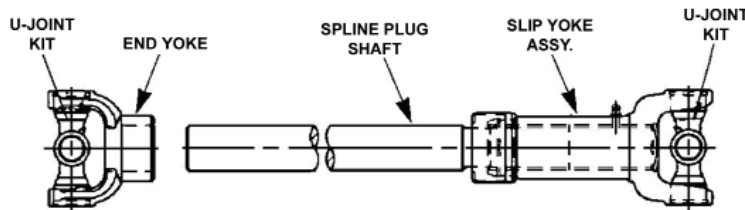
1 Used primarily in crank driven front mount hydraulic pump applications. Also suitable for clutch connection drives. Maximum operating speed 2800 rpm. (Not recommended for vehicular propeller shaft applications.)

SPLINE PLUG SHAFT FOR AUXILIARY POWER TAKE—OFF



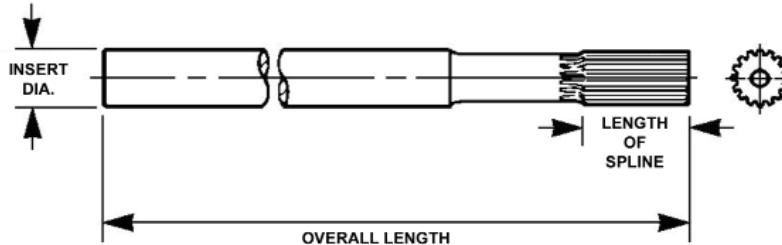
Spline Size	Overall Length	Length of Spline	Dust Cap	Insert Diameter	End Yoke	Part Number
WELDED APPLICATION						
1.38" - 16	24"	2.50"	R280194	1.25"	131N-4-533	131N-40-138-2

131N SERIES AUXILIARY POWER TAKE—OFF KIT



Series	Slip Yoke	Spline Plug Shaft	U-Joint Kit	End Yoke	Driveshaft Kit Part Number
DRIVESHAFT COMPONENT PART NUMBERS					
131N	131N-3-7981KX	131N-40-138-2	CP153X	131N-4-533	R91382SF ¹

131N SERIES AUXILIARY POWER TAKE—OFF UNWELDED DRIVESHAFT ASSEMBLY



Series	Maximum Assembly Length	Minimum Assembly Length	Tubing	Yoke and Tube Length	Maximum Length	Minimum Length	Complete Driveshaft Part Number
DRIVESHAFT SPECIFICATIONS							
1280, 131N	55.75"	9.50"	2.00" x .083" (14 GA)	49.44"	8.25"	6.25"	R9553-SF
1000, 10N	69.39"	10.00"	2.00" x .083" (14 GA)	59.91"	9.48"	7.48"	R10270-SF
DRIVESHAFT COMPONENT PART NUMBERS							

Series	Slip Yoke	Spline Plug	Weld Yoke	U-Joint Kit	Tubing	Complete Driveshaft Part Number
1000, 10N	10N-3-18KX	121N-40-1741	R10V5	CP170X	2.00" x .083" (14 GA)	R10270-SF
1280, 131N	131N-3-128KX	131N-40-1031	131N-28-357	CP153X	2.00" x .083" (14 GA)	R9553-SF

¹ Used primarily in crank driven front mount hydraulic pump applications. Also suitable for clutch connection drives. Maximum operating speed 2800 rpm. (Not recommended for vehicular propeller shaft applications.)

SECTION 13

INDEX

L6N Steering Components

Page

CLAMP YOKES

“D-Flat” Serrated Type	13-1
Standard Serrated Type	13-1

SLIP YOKES

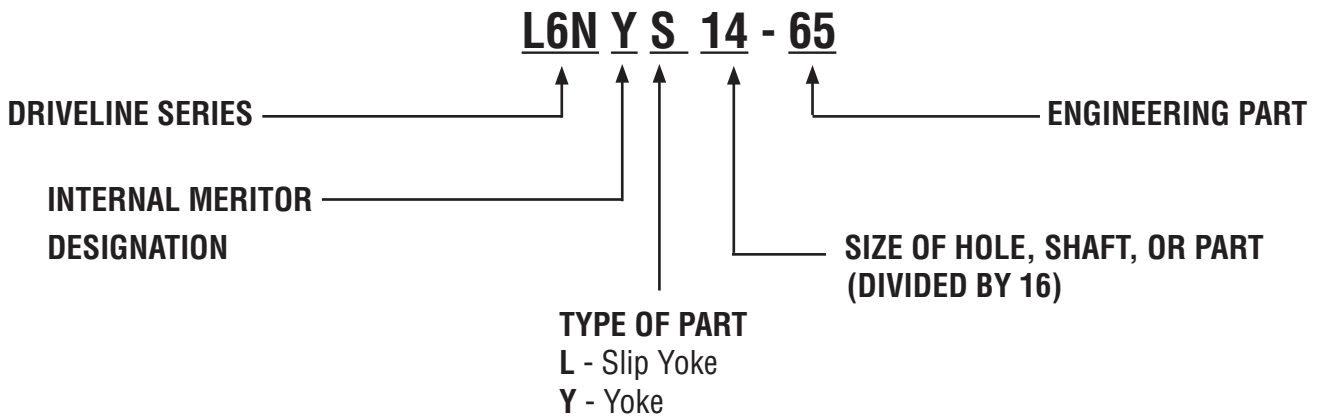
Slip Yokes	13-2
------------------	------

- **This catalog is not to be used for the design of custom steering assemblies. Any use of this catalog other than identifying genuine replacement parts is strictly prohibited.**
- Due to the safety related nature of this product, we implore you to pay special attention to the way your original steering shaft was assembled, noting the phasing of the yokes. On some steering assemblies the yokes are purposely out of phase due to vehicle/application specific requirements.
- If after reviewing the information in this catalog you are unable to positively identify the replacement part you need to repair your steering assembly, please obtain the OEM part number for the assembly and call our Information Services Department at 1-888-725-9355.

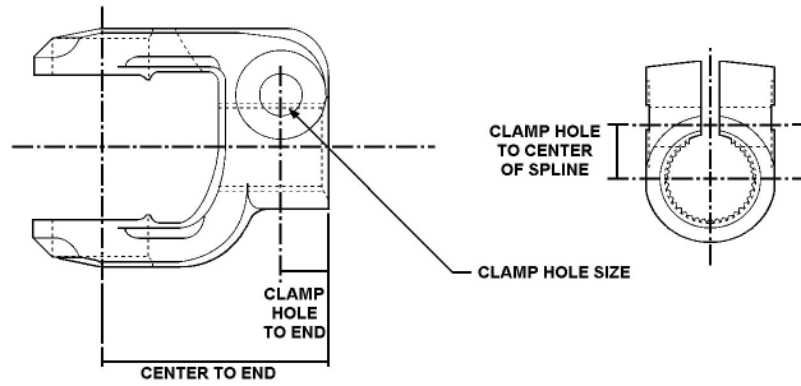
MERITOR NUMBERING SYSTEM

Meritor components may be identified by one of the numbering systems shown below. Aftermarket numbers are issued to make Meritor components easy to select when choosing a replacement component.

MERITOR ENGINEERING NUMBER

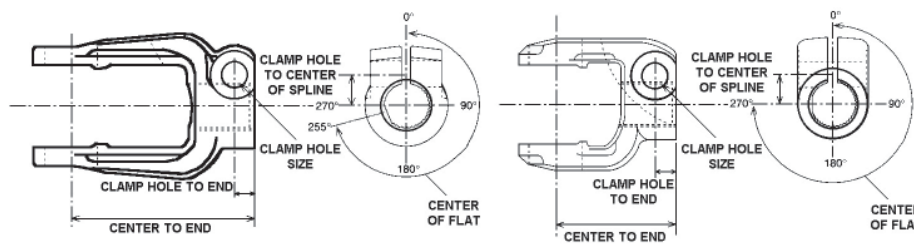


CLAMP YOKES — STANDARD SERRATED TYPE



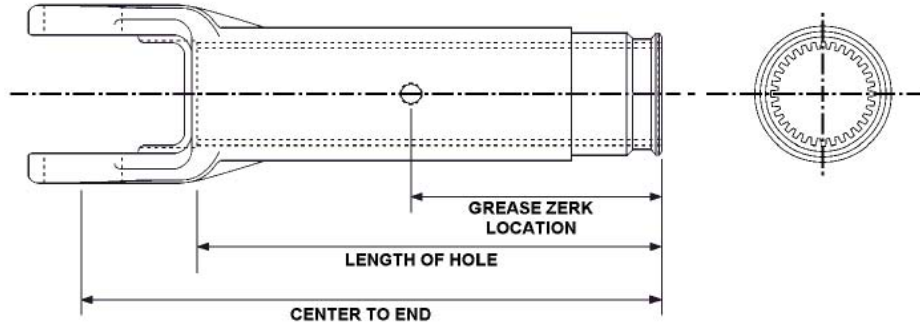
Major Dia. Max./ Min.	Minor Dia. Max./ Min.	Center to End	Clamp Hole to End	Clamp Hole Size	Clamp Hole to Center of Spline	Part Number
.75" - 26 SPLINE Based on 36 spacing						
.739" / .735"	.698" / .694"	2.25"	.47"	.47"	.45"	L6NYS12-39
.88" - 30 SPLINE Based on 36 spacing						
.883" / .881"	.802" / .800"	2.50"	.47"	.41"	.53"	L6NYS14-65
.88" - 36 SPLINE						
.883" / .881"	.802" / .800"	2.25"	.47"	.41"	.56"	L6NYS14-100
1.00" - 30 SPLINE Based on 36 spacing						
.994" / .989"	.949" / .944"	2.25"	.47"	.41"	.61"	L6NYS16-16
.994" / .989"	.949" / .944"	2.50"	.47"	.38"	.61"	L6NYS16-34
1.00" - 36 SPLINE						
.988" / .986"	.915" / .913"	2.25"	.75"	.41"	.58"	L6NYS16-12
1.013" / 1.011"	.949" / .944"	2.25"	.47"	.41"	.61"	L6NYS16-18

CLAMP YOKES — "D—FLAT" SERRATED TYPE



Major Dia. Max./ Min.	Minor Dia. Max./ Min.	Center to End	Clamp Hole to End	Clamp Hole Size	Clamp Hole to Center of Spline	Center of Flat	Part Number
.81" - 18 SPLINE Based on 36 spacing							
.811" / .809"	.766" / .762"	2.16"	.36"	.47"	.53"	255°	L6NYS13-31
.811" / .809"	.766" / .762"	3.30"	.36"	.47"	.53"	255°	L6NYS13-34

SLIP YOKES



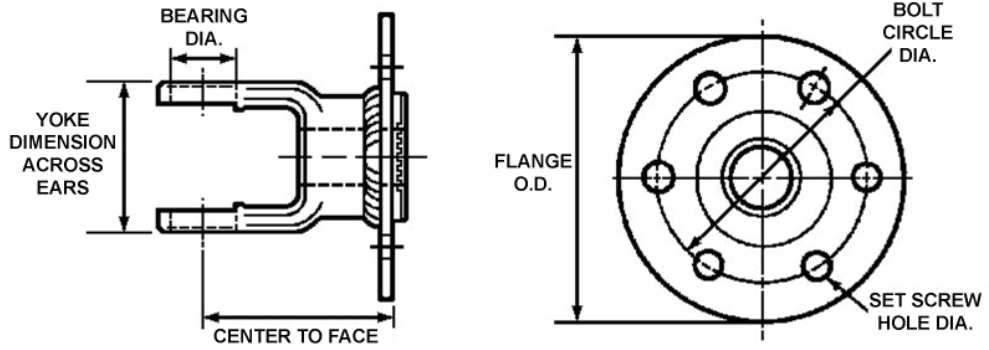
Center to End	Length of Hole	Grease Zerk Location	Dust Cap Style	Dust Cap/Seal Part Number	Part Number
1.25" - 32 SPLINE					
7.25"	5.75"		Splined	DCL6N4	L6NLS20-65DC
7.25"	5.81"	1.41"			L6NLS20-127
7.25"	5.81"	1.50" and 5.25"	Splined	SERUS20	L6NLS20-133A
9.13"	6.13"		Splined	SERUS20	L6NLS20-55DC
9.81"	8.88"	1.50"	Round	DCL6N3	L6NLS20-63DC1

SECTION 14

INDEX

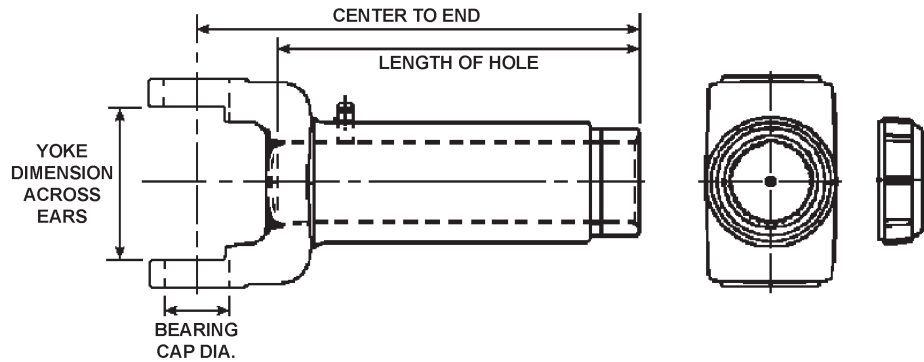
10N Series	Page
10N/1000 SERIES AUXILIARY POWER TAKE-OFF	
Unwelded Driveshaft Assembly	14-4
End Yokes	14-3
Flange Yokes.....	14-3
SLIP YOKES	
Inside Snap Ring	14-1
Slip Yokes	14-2

FLANGE YOKES



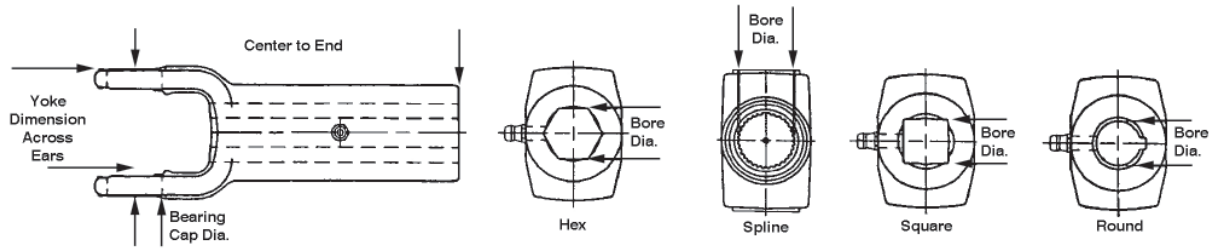
Center to Face	Bolt Circle Dia.	Flange O.D.	Yoke Dim. Across Ears	Bearing Dia.	Set Screw Hole Dia.	Number of Holes	Use U-Joint Kit	Part Number
1.67"	2.75"	3.50"	2.19"	.94"	.34"	4	CP170X	10N-2-29

SLIP YOKES — INSIDE SNAP RING



Center to End	Length of Hole	Yoke Dimension Across Ears	Bearing Cap Diameter	Dust Cap	Part Number
1.25" - 16 SPLINE U-JOINT KIT: CP170X					
5.50"	4.03"	1.50"	.94"	R280196	10N-3-18KX

SLIP YOKES

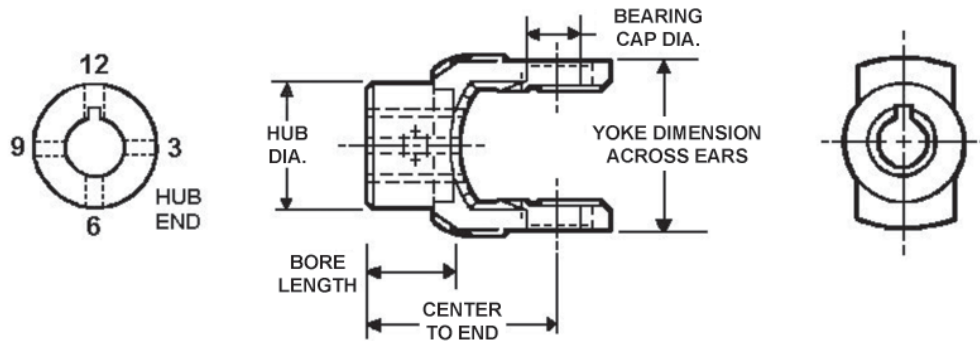


Keyway

Set Screw or Pin Hole

Bore Type	Bore Dia.	Center to End	Bore Lgth.	Hub Dia.	Width	Location	Hole Size	Loc. Viewed From Hub End	Distance from End of Hub	Part Number
YOKE DIMENSION ACROSS EARS: 2.19"										
BEARING CAP DIAMETER: 1.31"										
Hex	.88"	5.50"	4.19"	1.63"			.25" - 28 TH	9-GAP	1.75"	10N-3-162X
Hex	1.13"	5.50"	4.19"	1.63"			.25" - 28 TH	9-GAP	1.75"	10N-3-32X
Round	.81"	5.50"	4.19"	1.63"	.25"	3-GAP	.25" - 28 TH	9-GAP	1.75"	10N-3-23X
Round	.88"	5.50"	4.19"	1.63"	.25"	3-GAP	.25" - 28 TH	9-GAP	1.75"	10N-3-33X
Round	1.00"	5.50"	4.19"	1.63"	.25"	9-GAP	.25" - 28 TH	9-GAP	1.75"	10N-3-83X
Round	1.13"	5.50"	4.19"	2.00"	.31"	3-GAP	.25" - 28 TH	9-GAP	1.75"	10N-3-183X
Round	1.25"	5.50"	4.19"	2.00"	.31"	3-GAP	.25" - 28 TH	9-GAP	1.75"	10N-3-163X
SPL-10	1.13"	5.50"	4.19"	1.63"			.25" - 28 TH	9-GAP	1.75"	10N-3-81X
Square	.75"	5.50"	4.19"	1.63"			.25" - 28 TH	9-GAP	1.75"	10N-3-12X
Square	.88"	5.50"	4.19"	1.63"			.25" - 28 TH	9-GAP	1.75"	10N-3-22X
Square	1.00"	5.50"	4.19"	2.00"			.25" - 28 TH	9-GAP	1.75"	10N-3-122X

END YOKES



Keyway

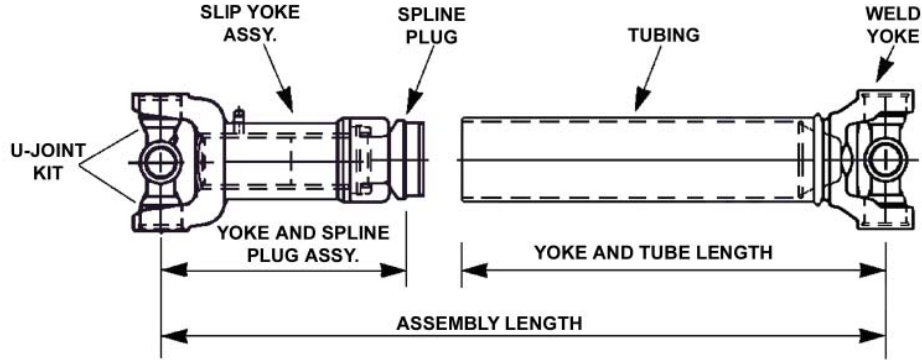
Set Screw or Pin Hole

Bore Type	Bore Dia.	Center to End	Bore Lgth.	Hub Dia.	Width	Location	Hole Size	No. of Holes	Loc. Viewed From Hub End	Distance from End of Hub	Part Number
YOKE DIMENSION ACROSS EARS: 2.19"			BEARING CAP DIAMETER: .94"								
Hex	0.88"	2.50"	1.13"	2.00"			.38" - 16TH	1	9-GAP	.63"	10N-4-282
Hex	1.13"	2.50"	1.13"	2.00"			.38" - 16TH	1	9-GAP	.63"	10N-4-32
Round	0.75"	2.50"	1.13"	1.63"	.19"	3-GAP	.38" - 16TH	1	9-GAP	.63"	10N-4-13
Round	0.75"	2.50"	1.13"	1.63"	.19"	9-GAP	.38" - 16TH	2	12/6-EAR	.63"	10N-4-133
Round	0.75"	2.50"	1.13"	1.63"	.25"	3-GAP	.38" - 16TH	1	9-GAP	.63"	10N-4-23
Round	0.81"	2.50"	1.13"	1.63"	.25"	9-GAP	.38" - 16TH	1	6-EAR	.63"	10N-4-173
Round	0.81"	2.50"	1.13"	1.63"	.19"	3-GAP	.38" - 16TH	1	9-GAP	.63"	10N-4-33
Round	0.81"	2.50"	1.13"	1.63"	.25"	3-GAP	.38" - 16TH	1	9-GAP	.63"	10N-4-43
Round	0.88"	1.69"	1.13"	1.63"	.25"	12-EAR	.38" - 16TH	1	9-GAP	.44"	10N-4-703
Round	0.88"	2.50"	1.13"	1.63"	.25"	9-GAP	.38" - 16TH	1	6-EAR	.63"	10N-4-453
Round	0.88"	2.50"	1.13"	1.63"	.19"	3-GAP	.38" - 16TH	1	9-GAP	.63"	10N-4-53
Round	0.88"	2.50"	1.13"	1.63"	.25"	3-GAP	.38" - 16TH	1	9-GAP	.63"	10N-4-63
Round	0.94"	2.50"	1.13"	1.63"	.25"	12-EAR	.38" - 16TH	1	6-EAR	.63"	10N-4-73
Round	1.00"	2.50"	1.13"	1.63"	.19"	3-GAP	.38" - 16TH	1	9-GAP	.63"	10N-4-83
Round	1.00"	2.50"	1.13"	1.63"	.25"	3-GAP	.38" - 16TH	1	9-GAP	.63"	10N-4-93
Round	1.00"	2.50"	1.13"	1.63"			.38" - 16TH	2	12/6-EAR	.63"	10N-4-443
Round	1.00"	2.50"	1.13"	1.63"	.25"	9-GAP	.38" - 16TH	1	6-EAR	.63"	10N-4-573
Round	1.13"	2.50"	1.13"	2.00"	.25"	9-GAP	.38" - 16TH	1	6-EAR	.63"	10N-4-143
Round	1.13"	2.50"	1.13"	2.00"	.25"	3-GAP	.38" - 16TH	1	9-GAP	.63"	10N-4-103
Round	1.13"	2.50"	1.13"	2.00"	.31"	3-GAP	.38" - 16TH	1	9-GAP	.63"	10N-4-113
Round	1.13"	2.50"	1.13"	2.00"	.31"	9-GAP	.38" - 16TH	1	6-EAR	.63"	10N-4-473
Round	1.25"	2.50"	1.13"	2.00"	.31"	3-GAP	.38" - 16TH	1	9-GAP	.63"	10N-4-123
Round	1.25"	2.50"	1.13"	2.00"	.25"	9-GAP	.38" - 16TH	1	6-EAR	.63"	10N-4-183
Round	1.25"	2.50"	1.13"	2.00"	.31"	9-GAP	.38" - 16TH	1	6-EAR	.63"	10N-4-193
SPL-13	0.88"	2.50"	1.19"	1.63"			.38" - 16TH	1	6-EAR	.63"	10N-4-481
SPL-16	0.73"	2.25"	0.94"	1.63"			.47" - DR	1	3/9-GAP	.47"	10N-4-611¹
SPL-6	1.38"	3.25"	2.25"				DR	2		.38"	10N-4-139²
Square	0.75"	2.50"	1.13"	1.63"			.38" - 16TH	1	9-GAP	.63"	10N-4-22
Square	0.88"	2.50"	1.13"	1.63"			.38" - 16TH	1	9-GAP	.63"	10N-4-12
Square	1.00"	2.50"	1.13"	2.00"			.38" - 16TH	1	9-GAP	.63"	10N-4-52

1 Clamp yoke.

2 Quick disconnect trailing pin yoke - tractor end.

10N/1000 SERIES AUXILIARY POWER TAKE—OFF UNWELDED DRIVESHAFT ASSEMBLY



Maximum Assembly Length	Minimum Assembly Length	Tubing	Yoke and Tube Length	Yoke & Spline Plug Assy.		Complete Driveshaft Part Number
				Maximum Length	Minimum Length	
DRIVESHAFT SPECIFICATIONS						
55.75"	9.50"	2.00" x .083" (14 GA)	49.44"	8.25"	6.25"	R9553-SF
69.39"	10.00"	2.00" x .083" (14 GA)	59.91"	9.48"	7.48"	R10270-SF
Slip Yoke	Spline Plug	Weld Yoke	U-Joint Kit	Tubing	Complete Driveshaft Part Number	
10N-3-18KX	121N-40-1741	R10V5	CP170X	2.00" x .083" (14 GA)	R10270-SF	
131N-3-128KX	131N-40-1031	131N-28-357	CP153X	2.00" x .083" (14 GA)	R9553-SF	

SECTION 15

INDEX

Companion Flange and End Yoke Application Guide Index

Page

Attachment Hardware	15-1
Axles and Transmissions	15-2



DRIVELINES & COMPONENTS

BROCHURE

PHOTOS

SAVINGS CALCULATOR

SIZING CALCULATOR

ASK A QUESTION



Download a copy of the MXL brochure for important details on how MXL drivelines and components can drive superior results for your business.



Find out how much our MXL driveline will save you versus competitive brands.



Choose one of our driveline component photos to create your own driveline marketing communications.



Complete our contact request form with any driveline inquiries and we'll get right back with you.



Use our driveline sizing calculator to find out exactly which driveline is best for your application.

MERITORDRIVELINES.COM

VALUABLE TOOLS AND SO MUCH MORE.

To help your customers spec the driveline components that give them the maximum payback, check out the tools and information at meritordrivelines.com. The site features key information on our wide array of driveline assemblies and components. Plus savings and sizing calculators to help ensure your customers achieve a greater R.O.I. and the lowest cost of ownership. Visit meritordrivelines.com today.

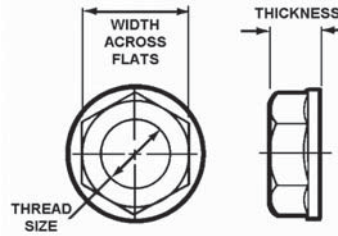
©2014 Meritor, Inc.



MERITOR

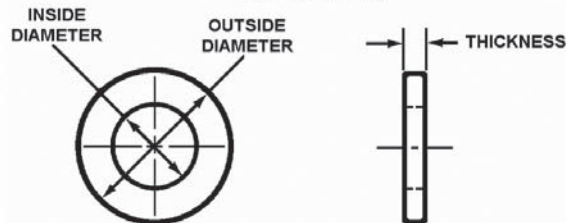
ATTACHMENT HARDWARE

NUT



Part Number	Thread Size	Metric Thread Size	Width Across Flats	Thickness
1227-G-943	0.88" - 20 3 UNEF-2B		1.13"	.50"
1227-C-939	1.00" - 20 3 UNEF-2B		1.32"	.57"
1227-K-1051	1.25" - 12 3 UNF-2B		1.63"	.62"
1227-Q-901	1.25" - 12 3 UNF-2B		1.88"	.75"
1227-Z-936	1.25" - 18 3 UNEF-2B		1.63"	.62"
1227-J-946	1.50" - 12 3 UNF-2B		1.88"	.75"
1227-R-902	1.50" - 12 3 UNF-2B		2.25"	.88"
1227-A-937	1.50" - 18 3 UNEF-2B		1.88"	.75"
1227-D-940	1.75" - 12 3 UN-2B		2.25"	.69"
1227-N-898	1.75" - 12 3 UN-2B		2.58"	.99"
40-X-1236		32mm x 1.5-6H Thd.	45.69mm	18mm
40-X-1237		39mm x 1.5-6H Thd.	54.63mm	21mm
40-X-1233		45mm x 1.5-6H Thd.	56.20mm	24mm

WASHER



Part Number	Inside Diameter	Outside Diameter	Thickness
1229-N-1548	0.91"	1.62"	0.19"
1229-S-1397	0.91"	1.62"	0.13"
1229-E-1331	1.03"	1.81"	0.25"
1229-A-2653	1.28"	2.19"	0.22"
1229-F-2918	1.53"	2.38"	0.25"
1229-T-1736	1.53"	2.38"	0.13"
1229-W-4521	1.75"	3.25"	0.31"
1229-G-1281	1.78"	3.00"	0.10"
1229-N-1730	1.78"	3.00"	0.19"
1229-S-1605	1.81"	3.25"	0.40"
1229-E-1071	2.03"	3.25"	0.28"

DANA AXLES

INDEX

	Page		Page
F155-S	15-3	W460-S (FUO)	15-3
F170-S	15-3	W460-S (RUI)	15-5
G175-S.....	15-3, 15-4		
G175-T.....	15-3, 15-4		
G190-S.....	15-3, 15-4		
G190-T.....	15-3, 15-4		
G340-S (FUI).....	15-3, 15-4		
G340-S (FUO)	15-3		
G340-S (RUI).....	15-3, 15-4		
G380-S (FUI).....	15-3, 15-4		
G380-S (FUO)	15-3		
G380-S (RUI).....	15-3, 15-4		
G400-S (FUI).....	15-5		
G400-S (FUO)	15-3		
G400-S (RUI).....	15-3, 15-5		
J175-S	15-4		
J190-S	15-4		
J210-S	15-3		
J220-S	15-4		
J340-S (FUI)	15-5		
J340-S (FUO).....	15-3		
J340-S (RUI).....	15-4		
J380-S (FUI)	15-5		
J380-S (FUO).....	15-3		
J380-S (RUI).....	15-4		
J400-S (FUI)	15-5		
J400-S (FUO).....	15-3		
J400-S (RUI).....	15-4		
M190-S.....	15-3, 15-4		
M190-T	15-3, 15-4		
M210-S.....	15-3, 15-4		
M210-T	15-3, 15-4		
M220-S.....	15-3, 15-4		
M220-T	15-3, 15-4		
M460-S (FUI).....	15-3, 15-5		
M460-S (FUO).....	15-3		
M460-S (RUI)	15-4, 15-5		
S185	15-3, 15-4		
W230-S.....	15-4, 15-5		
W460-S (FUI).....	15-4		

DANA AXLES

Model	Spline Size Dia. - Tooth Count	Spline Length	Hub Dia.	Center to End	Yoke Type	Comments	Part Number
F155-S				4.21"	Easy Service		148DYS28-18A
F170-S	1.78" - 34	2.19"	2.38"	3.99"	Easy Service		155DYS28-21A
J210-S				3.99"	Easy Service		155N-4-5671X
				4.12"	Full Round		16N-4-7291X
				4.13"	Easy Service		16TYS28-44A
G340-S (FUI)	1.94" - 30	2.25"	3.00"	4.75"	Full Round		16N-4-4391
G380-S (FUI)				4.56"	Full Round		17N-4-4371
				4.56"	Easy Service		17TYS31-19 (C)
				4.56"	Easy Service		17TYS31-55
				5.38"	Full Round		18N-4-2051
G340-S (FUO)	1.97" - 10	2.00"	2.50"	4.69"	Easy Service		148NYS31-3
G380-S (FUO)				5.22"	Full Round		16N-4-4551
				5.31"	Full Round		16NYS28-28A
				5.00"	Full Round		17N-4-3721
				4.44"	Full Round		17NYS28-5
G400-S (FUO)	2.00" - 30	2.69"	3.00"	6.00"	Full Round		16N-4-5721
M460-S (FUO)				6.11"	Full Round		17N-4-5781
G400-S (FUO)							
J340-S (FUO)				6.00"	Full Round		16NYS32-55
J380-S (FUO)	2.00" - 30	2.69"	3.00"	6.00"	Easy Service	Hardened Hub	16TYS32-55
J400-S (FUO)				6.10"	Full Round		17NYS32-65
M460-S (FUO)				6.10"	Easy Service		17TYS32-65
W460-S (FUO)							
G175-S							
G175-T							
G190-S							
G190-T				4.28"	Easy Service		148NYS32-7A
G400-S (RUI)				4.28"	Easy Service		148TYS32-3
M190-S				4.28"	Easy Service		148TYS32-3A
M190-T	2.00" - 38	2.13"	3.00"	4.84"	Easy Service		16N-4-6131-1
M210-S				4.84"	Full Round		17N-4-6201
M210-T				4.84"	Easy Service		17TYS32-59 (C)
M220-S				4.84"	Easy Service		17TYS32-76
M220-T							
M460-S (FUI)							
S185							
G340-S (RUI)	2.13" - 32	2.25"	3.00"	6.00"	Full Round		16N-4-5731
G380-S (RUI)				5.00"	Full Round		17N-4-5821
				6.25"	Full Round		17NYS34-9A

(C) Cast Version
(FUI) Forward Unit Input
(FUO) Forward Unit Output
(RUI) Rear Unit Input

U.S. 888-725-9355
Canada 800-387-3889

MeritorPartsOnline.com

15-3

DANA AXLES

Model	Spline Size Dia. - Tooth Count	Spline Length	Hub Dia.	Center to End	Yoke Type	Comments	Part Number
J175-S				4.28"	Easy Service		148NYS34
J190-S	2.13" - 32	2.25"	3.00"	4.94"	Easy Service		148NYS34-1
J220-S				4.28"	Easy Service		148TYS34-2
				5.38"	Full Round		16N-4-5751
				4.56"	Full Round		17NYS34-10
G340-S (RUI)				6.00"	Full Round		16NYS34-10A
G380-S (RUI)				6.00"	Easy Service		16TYS34-10A
J340-S (RUI)	2.13" - 32	2.25"	3.00"	6.25"	Full Round	Hardened Hub	17NYS34-16A
J380-S (RUI)				6.25"	Easy Service		17TYS34-16A
J400-S (RUI)							
				4.28"	Easy Service		148TYS34-1
				4.31"	Easy Service		155TYS34-1
J175-S				5.38"	Full Round		16NYS34-11A
J190-S	2.13" - 32	2.25"	3.00"	5.38"	Easy Service	Hardened Hub	16TYS34-11A
J220-S				4.56"	Full Round		17NYS34-15A
				4.56"	Easy Service		17TYS34-15A (C)
				4.56"	Easy Service		17TYS34-22A
G340-S (FUI)	2.38" - 36	2.69"	3.00"	6.50"	Full Round		17N-4-5801
G380-S (FUI)							
M460-S (RUI)	2.38" - 36	2.69"	3.00"	6.00"	Full Round		16N-4-5741
				5.07"	Easy Service		155NYS38
				5.16"	Full Round		16N-4-5631
W230-S	2.38" - 36	2.69"	3.00"	5.44"	Full Round		17N-4-5711
				5.44"	Easy Service		17N-4-5711-1
				5.44"	Full Round		18N-4-3161
G175-S							
G175-T							
G190-S							
G190-T							
G400-S (FUI)				5.07"	Easy Service		155TYS38-2
J340-S (FUI)				5.16"	Full Round		16NYS38-15A
J380-S (FUI)				5.16"	Easy Service		16TYS38-15A
J400-S (FUI)				5.56"	Full Round		176N-4-851X
M190-S	2.38" - 36	2.69"	3.00"	5.44"	Easy Service	Hardened Hub	176TYS38-16A
M190-T				5.44"	Full Round		17NYS38-41A
M210-S				5.44"	Easy Service		17TYS38-41A (C)
M210-T				5.44"	Easy Service		17TYS38-58A
M220-S				5.44"	Full Round		18N-4-3641X
M220-T				5.44"	Easy Service		18TYS38-20A
M460-S (FUI)							
S185							
W460-S (FUI)							

(C) Cast Version
(FUI) Forward Unit Input
(FUO) Forward Unit Output
(RUI) Rear Unit Input

DANA AXLES

Model	Spline Size Dia. - Tooth Count	Spline Length	Hub Dia.	Center to End	Yoke Type	Comments	Part Number
G400-S (RUI)				6.00"	Full Round		16NYS38-13A
				6.00"	Easy Service		16TYS38-13A
M460-S (RUI)	2.38" - 36	2.69"	3.00"	6.50"	Full Round	Hardened Hub	17NYS48-43A
W460-S (RUI)				6.50"	Easy Service		17TYS38-43
				6.50"	Easy Service		17TYS38-43A
				5.07"	Easy Service		155TYS38-3
				5.16"	Full Round		16NYS38-14A
				5.16"	Easy Service		16TYS38-14A
				5.56"	Full Round		176NYS38-15A
W230-S	2.38" - 36	2.69"	3.00"	5.56"	Easy Service	Hardened Hub	176TYS38-15A
				5.44"	Full Round		17NYS38-42A
				5.44"	Easy Service		17TYS38-42A (C)
				5.44"	Easy Service		17TYS38-59A
				5.44"	Full Round		18NYS38-19A
				5.44"	Easy Service		18TYS38-19A

EATON AXLES

INDEX

	Page		Page
15040.....	15-9	340D (RUI)	15-10
15101.....	15-9	35327.....	15-14, 15-15
15201.....	15-9	38D (FUI)	15-11
15301.....	15-9	38D (FUO).....	15-9
16121.....	15-9	38D (RUI) (3.70, 4.11 ratios only)	15-10
17121 (4.33, 7.60 ratios only)	15-9	38D (RUI) (exc. 3.70, 4.11 ratios).....	15-9
17121 (exc. 4.33, 7.60 ratios).....	15-10	380D (FUI)	15-14
18121 (4.33, 7.60 ratios only)	15-9	380D (FUO).....	15-9
18121 (exc. 4.33, 7.60 ratios).....	15-10	380D (RUI)	15-10
19050.....	15-9	400D (FUI)	15-14
19100.....	15-10	400D (FUO).....	15-9
19121.....	15-14, 15-15	400D (RUI)	15-10
19200.....	15-10	42D (FUI)	15-11
19221.....	15-14, 15-15	42D (FUO).....	15-9
19300.....	15-10	42D (RUI) (3.70, 4.11 ratios only)	15-10
19321.....	15-14, 15-15	42D (RUI) (exc. 3.70, 4.11 ratios).....	15-9
19421.....	15-14, 15-15	44D (FUI)	15-18
19426.....	15-14, 15-15	44D (FUO).....	15-15
20100.....	15-10	444D (RUI)	15-14
20120.....	15-14, 15-15	44D (RUI)	15-15
20200.....	15-10	50D (FUI)	15-14
20300.....	15-10	50D (FUO).....	15-9
21065.....	15-11	50D (RUI)	15-10
22000.....	15-10	D341 (FUI)	15-16
23070.....	15-13	D341 (FUO).....	15-10
23085.....	15-16	D341 (RUI)	15-11, 15-12
23105.....	15-16	D381 (FUI)	15-16
23121.....	15-14, 15-15	D381 (FUO).....	15-10
23221.....	15-14, 15-15	D381 (RUI)	15-11, 15-12
23321.....	15-14, 15-15	D401 (FUI)	15-16
23427.....	15-14, 15-15	D401 (FUO).....	15-10
26085.....	15-13	D401 (RUI)	15-11, 15-12
26121.....	15-14, 15-15	D402 (RUI)	15-11, 15-12
26221.....	15-14, 15-15	D404 (FUI)	15-11, 15-12, 15-16
26321.....	15-14, 15-15	D404 (FUO).....	15-12
26421.....	15-14, 15-15	D404 (RUI)	15-11, 15-12
30105.....	15-16	D451 (RUI)	15-11, 15-12
34D (FUI)	15-11	D461 (FUI)	15-17
34D (FUO).....	15-9	D461 (FUO).....	15-13
34D (RUI) (3.70, 4.11 ratios only)	15-10	D461 (RUI)	15-13
34D (RUI) (exc. 3.70, 4.11 ratios).....	15-9	D501 (FUI)	15-16
340D (FUI)	15-14	D501 (FUO).....	15-10
340D (FUO).....	15-9	D501 (RUI)	15-11, 15-12

EATON AXLES

INDEX

	Page		Page
DC461 (FUI).....	15-17	DP550 (RUI).....	15-14, 15-15
DC461 (FUO).....	15-13	DP580 (FUI).....	15-18
DC461 (RUI).....	15-13	DP580 (FUO).....	15-15
DC521 (FUI).....	15-17	DP580 (RUI).....	15-14, 15-15
DC521 (FUO).....	15-13	DP601 (FUI).....	15-17
DC521 (RUI).....	15-13	DP601 (FUO).....	15-13, 15-14
DC601 (FUI).....	15-17	DP601 (RUI).....	15-13
DC601 (FUO).....	15-13	DP650 (FUI).....	15-18
DC601 (RUI).....	15-13	DP650 (FUO).....	15-15
DC621 (RUI).....	15-13	DP650 (RUI).....	15-14, 15-15
DC651 (FUI).....	15-17	DP651 (FUI).....	15-17
DC651 (FUO).....	15-13	DP651 (FUO).....	15-13, 15-14
DC651 (RUI).....	15-13	DP651 (RUI).....	15-13
DP341 (FUI).....	15-16	DS341 (FUI).....	15-16
DP341 (FUO).....	15-10	DS341 (FUO).....	15-10
DP341 (RUI).....	15-11, 15-12	DS341 (RUI).....	15-11, 15-12
DP381 (FUI).....	15-16	DS381 (FUI).....	15-16
DP381 (FUO).....	15-10	DS381 (FUO).....	15-10
DP381 (RUI).....	15-11, 15-12	DS381 (RUI).....	15-11, 15-12
DP401 (FUI).....	15-16	DS401 (FUI).....	15-16
DP401 (FUO).....	15-10	DS401 (FUO).....	15-10
DP401 (RUI).....	15-11, 15-12	DS401P (FUI).....	15-16
DP402 (RUI).....	15-11, 15-12	DS401P (FUO).....	15-10
DP440 (FUI).....	15-18	DS401P (RUI).....	15-11
DP440 (FUO).....	15-15	DS401 (RUI).....	15-11, 15-12
DP440 (RUI).....	15-14, 15-15	DS402 (FUI).....	15-16
DP451 (FUI).....	15-16	DS402 (FUO).....	15-10
DDP451 (FUO).....	15-10	DS402 (RUI).....	15-11, 15-12
DP451 (RUI).....	15-11, 15-12	DS451 (RUI).....	15-11, 15-12
DP461 (FUI).....	15-17	DS461 (FUI).....	15-17
DP461 (FUO).....	15-13, 15-14	DS461 (FUO).....	15-13, 15-14
DP461 (RUI).....	15-13	DS461 (RUI).....	15-13
DP480 (FUI).....	15-18	DS501 (FUI).....	15-16
DP480 (FUO).....	15-15	DS501 (FUO).....	15-10
DP480 (RUI).....	15-14, 15-15	DS501 (RUI).....	15-11, 15-12
DP501 (FUI).....	15-16	DS521 (FUI).....	15-17
DP501 (FUO).....	15-10	DS521 (FUO).....	15-13, 15-14
DP501 (RUI).....	15-11, 15-12	DS521 (RUI).....	15-13
DP521 (FUI).....	15-17	DS601 (FUI).....	15-17
DP521 (FUO).....	15-13, 15-14	DS601 (FUO).....	15-13,, 15-14
DP521 (RUI).....	15-13	DS601 (RUI).....	15-13
DP550 (FUI).....	15-18	DS651 (FUI).....	15-17
DP550 (FUO).....	15-15	DS651 (FUO).....	15-13, 15-14

(C) Cast Version
(FUI) Forward Unit Input
(FUO) Forward Unit Output
(RUI) Rear Unit Input

U.S. 888-725-9355
Canada 800-387-3889

MeritorPartsOnline.com

15-7

EATON AXLES

INDEX

	Page		Page
DS651 (RUI)	15-13	DT650 (RUI)	15-15
DT341 (FUI)	15-16	DT651 (FUI)	15-17
DT341 (FUO)	15-10	DT651 (FUO)	15-13, 15-14
DT341 (RUI)	15-11, 15-12	DT651 (RUI)	15-13
DT381 (FUI)	15-16	SUPER 23	15-16
DT381 (FUO)	15-10		
DT381 (RUI)	15-11,, 15-12		
DT401 (FUI)	15-16		
DT401 (FUO)	15-10		
DT401 (RUI)	15-11, 15-12		
DT402 (FUI)	15-16		
DT402 (FUO)	15-10		
DT402 (RUI)	15-11, 15-12		
DT440 (FUI)	15-18		
DT440 (FUO)	15-15		
DT440 (RUI)	15-14, 15-15		
DT451 (FUI)	15-16		
DT451 (FUO)	15-10		
DT451 (RUI)	15-11, 15-12		
DT461 (FUI)	15-17		
DT461 (FUO)	15-13, 15-14		
DT461 (RUI)	15-13		
DT480 (FUI)	15-18		
DT480 (FUO)	15-15		
DT480 (RUI)	15-14, 15-15		
DT501 (FUI)	15-16		
DT501 (FUO)	15-10		
DT501 (RUI)	15-11, 15-12		
DT521 (FUI)	15-17		
DT521 (FUO)	15-13, 15-14		
DT521 (RUI)	15-13		
DT550 (FUI)	15-18		
DT550 (FUO)	15-15		
DT550 (RUI)	15-14, 15-15		
DT580 (FUI)	15-18		
DT580 (FUO)	15-15		
DT580 (RUI)	15-14, 15-15		
DT601 (FUI)	15-17		
DT601 (FUO)	15-13, 15-14		
DT601 (RUI)	15-13		
DT650 (FUI)	15-18		
DT650 (FUO)	15-15		

EATON AXLES

Model	Spline Size Dia. - Tooth Count	Spline Length	Hub Dia.	Center to End	Yoke Type	Part Number
				3.88"	Easy Service	141NYS24A
15101				3.88"	Easy Service	141TYS24-2A1
15201	1.50" - 10	2.19"	2.25"	4.19"	Easy Service	148N-4-3781
15301				4.19"	Easy Service	148N-4-6051X
				4.19"	Easy Service	148TYS24-2A1
				4.00"	Easy Service	155NYS24-3A
17121 (4.33, 7.60 ratios only)						
18121 (4.33, 7.60 ratios only)						
340D (FUO)						
34D (FUO)						
380D (FUO)	1.75" - 10	2.19"	2.38"	4.22"	Easy Service	148N-4-3571
38D (FUO)						
400D (FUO)						
42D (FUO)						
50D (FUO)						
				4.00"	Easy Service	141N-4-5581-1X
16121				4.19"	Easy Service	141N-4-5581X
34D (RUI) (exc. 3.70, 4.11 ratios)	1.75" - 10	2.25"	2.62"	4.75"	Full Round	16N-4-2081
38D (RUI) (exc. 3.70, 4.11 ratios)				4.75"	Full Round	16N-4-5111X
42D (RUI) (exc. 3.70, 4.11 ratios)				6.12"	Full Round	17N-4-4141
				5.25"	Full Round	17N-4-4301X
				4.31"	Easy Service	155N-4-1891
17121 (4.33, 7.60 ratios only)				6.00"	Full Round	16N-4-3901
18121 (4.33, 7.60 ratios only)				5.34"	Full Round	16N-4-4571
340D (FUO)				5.34"	Easy Service	16N-4-4571-1
34D (FUO)				4.12"	Full Round	16N-4-781
380D (FUO)	1.75" - 10	2.25"	2.62"	4.50"	Full Round	17N-4-2081
38D (FUO)				5.25"	Full Round	17N-4-3391
400D (FUO)				4.50"	Easy Service	17TYS28-60
42D (FUO)				5.25"	Easy Service	17TYS28-64
50D (FUO)				4.50"	Easy Service	17TYS28-7 (C)
				3.81"	Easy Service	141TYS28-17
				3.81"	Easy Service	141TYS28-17A
				4.27"	Easy Service	148TYS28-19A
15040	1.75" - 34	2.18"	2.62"	4.27"	Easy Service	155TYS28-15A
19050				4.75"	Full Round	16N-4-7301X
				4.75"	Easy Service	16N-4-7301-1X
				5.26"	Full Round	17NYS28-55A
				5.26"	Easy Service	17TYS28-58A

(C) Cast Version
(FUI) Forward Unit Input
(FUO) Forward Unit Output
(RUI) Rear Unit Input

U.S. 888-725-9355
Canada 800-387-3889

MeritorPartsOnline.com

15-9

EATON AXLES

Model	Spline Size Dia. - Tooth Count	Spline Length	Hub Dia.	Center to End	Yoke Type	Part Number
D341 (FUO)						
D381 (FUO)						
D401 (FUO)						
D501 (FUO)						
DP341 (FUO)				4.41"	Easy Service	148NYS28-30A
DP381 (FUO)				4.88"	Easy Service	148TYS28-23A
DP401 (FUO)				4.41"	Easy Service	148TYS28-25
DP501 (FUO)				4.75"	Easy Service	155TYS28-23
DS341 (FUO)				6.19"	Full Round	16NYS28-59A
DS381 (FUO)	1.75" - 34	2.44"	2.62"	4.94"	Full Round	16NYS28-60A
DS401 (FUO)				4.94"	Easy Service	16TYS28-39
DS401P (FUO)				6.31"	Full Round	17NYS28-65A
DS402 (FUO)				5.44"	Full Round	17NYS28-66A
DS501 (FUO)				5.44"	Easy Service	17TYS28-51 (C)
DT341 (FUO)				5.44"	Easy Service	17TYS28-59A
DT381 (FUO)						
DT401 (FUO)						
DT402 (FUO)						
DT501 (FUO)						
DP451 (FUO)				5.44"	RPL	20WYS28-1A
DT402 (FUO)	1.79" - 34	2.43"	2.62"	6.28"	RPL	20WYS28-2A
DT451 (FUO)						
17121 (exc. 4.33, 7.60 ratios)				4.28"	Easy Service	155N-4-2431
18121 (exc. 4.33, 7.60 ratios)				6.00"	Full Round	16N-4-3911
340D (RUI)				5.31"	Full Round	16N-4-4471
34D (RUI) (3.70, 4.11 ratios only)				5.31"	Easy Service	16N-4-4471-1
380D (RUI)	1.97" - 10	2.25"	2.62"	6.12"	Full Round	17N-4-4151
38D (RUI) (3.70, 4.11 ratios only)				4.50"	Easy Service	17N-4-4721-1
400D (RUI)				5.25"	Full Round	17N-4-5141
42D (RUI) (3.70, 4.11 ratios only)				5.25"	Easy Service	17TYS31-49A (C)
50D (RUI)				5.25"	Easy Service	17TYS31-58A
19100						
19200						
19300						
20100	1.97" - 10	2.25"	2.62"	4.04"	Easy Service	148N-4-5821X
20200				3.50"	Wing Bearing	72NYS31-2A
20300						
22000						

(C) Cast Version
(FUI) Forward Unit Input
(FUO) Forward Unit Output
(RUI) Rear Unit Input

EATON AXLES

Model	Spline Size Dia. - Tooth Count	Spline Length	Hub Dia.	Center to End	Yoke Type	Part Number
				4.50"	Full Round	17N-4-2211
				4.50"	Full Round	17N-4-4731X
34D (FUI)				5.25"	Full Round	17NYS31-13A
38D (FUI)	1.97" - 10	2.25"	2.62"	4.50"	Easy Service	17TYS31-36A (C)
42D (FUI)				4.50"	Easy Service	17TYS31-57A
				5.63"	Full Round	18N-4-2351X
				5.63"	Easy Service	18TYS31-1A
				3.94"	Wing Bearing	92NYS31-2
21065						
D341 (RUI)						
D381 (RUI)						
D401 (RUI)						
D501 (RUI)						
DP341 (RUI)				4.42"	Easy Service	148NYS32-10A
DP381 (RUI)				4.31"	Easy Service	148NYS32-9A
DP401 (RUI)				4.31"	Easy Service	148TYS32-14A
DP501 (RUI)				4.70"	Easy Service	148TYS32-15A
DS341 (RUI)				4.31"	Easy Service	148TYS32-7A
DS381 (RUI)				4.27"	Easy Service	155TYS32-27A
DS401 (RUI)				4.56"	Easy Service	155TYS32-31A
DS401P (RUI)	2.00" - 39	2.25"	2.62"	6.00"	Full Round	16NYS32-68A1
DS402 (RUI)				5.31"	Full Round	16NYS32-73A
DS501 (RUI)				4.72"	Full Round	16NYS32-74A
DT341 (RUI)				4.72"	Easy Service	16TYS32-75A
DT381 (RUI)				5.25"	Full Round	17NYS32-85A
DT401 (RUI)				6.12"	Full Round	17NYS32-86A
DT402 (RUI)				5.25"	Easy Service	17TYS32-89A
DT501 (RUI)				5.75"	RPL	20WYS32-10A
D402 (RUI)						
D451 (RUI)						
DP402 (RUI)						
DP451 (RUI)						
DS451 (RUI)						
DT451 (RUI)						
				5.31"	Full Round	16NYS32-79A
				6.00"	Full Round	16NYS32-80A
D404 (FUI)	2.00" - 39	2.28"	3.00"	6.12"	Easy Service	16TYS32-79A
D404 (RUI)				4.72"	Easy Service	16TYS32-81A
				6.12"	Full Round	17NYS32-93A
				5.25"	Easy Service	17TYS32-92A
				5.25"	Full Round	17N-4-9031X

(C) Cast Version
(FUI) Forward Unit Input
(FUO) Forward Unit Output
(RUI) Rear Unit Input

U.S. 888-725-9355
Canada 800-387-3889

MeritorPartsOnline.com

15-11

EATON AXLES

Model	Spline Size Dia. - Tooth Count	Spline Length	Hub Dia.	Center to End	Yoke Type	Part Number
D341 (RUI)						
D381 (RUI)						
D401 (RUI)						
D402 (RUI)						
D451 (RUI)						
D501 (RUI)						
DP341 (RUI)						
DP381 (RUI)						
DP401 (RUI)						
DP402 (RUI)						
DP451 (RUI)						
DP501 (RUI)						
DS341 (RUI)	2.00" - 39	2.50"	2.62"	4.90"	RPL	20WYS32-9A
DS381 (RUI)						
DS401 (RUI)						
DS402 (RUI)						
DS451 (RUI)						
DS501 (RUI)						
DT341 (RUI)						
DT381 (RUI)						
DT401 (RUI)						
DT402 (RUI)						
DT451 (RUI)						
DT501 (RUI)						
				5.25"	Full Round	17NYS32-90A
				6.00"	Full Round	16NYS32-77A
				4.94"	Full Round	16NYS32-78A
D404 (FUI)				4.94"	Easy Service	16TYS32-78A
D404 (FUO)	2.00" - 39	2.50"	2.62"	6.12"	Full Round	17NYS32-91A
D404 (RUI)				5.44"	Easy Service	17TYS32-94A
				5.38"	RPL	20WYS32-7A
				5.94"	RPL	20WYS32-8A
				6.12"	Easy Service	17TYS32-91A

EATON AXLES

Model	Spline Size Dia. - Tooth Count	Spline Length	Hub Dia.	Center to End	Yoke Type	Part Number
				4.50"	Easy Service	155N-4-5581
				5.25"	Full Round	16N-4-7311X
23070				6.00"	Full Round	16NYS34-14A
26085				6.00"	Full Round	16NYS34-14A1
D461 (RUI)				5.25"	Full Round	16NYS34-9A1
DC461 (RUI)				5.25"	Easy Service	16TYS34-9A
DC521 (RUI)				5.25"	Easy Service	16TYS34-9A1
DC601 (RUI)				5.25"	Full Round	176N-4-1071X
DC621 (RUI)				5.25"	Full Round	176NYS34-3A1
DC651 (RUI)				5.25"	Easy Service	176TYS34-3A
DP461 (RUI)				5.25"	Easy Service	176TYS38-3A1
DP521 (RUI)				5.19"	Full Round	17N-4-7321X
DP601 (RUI)	2.13" - 41	2.50"	2.94"	5.19"	Full Round	17NYS34-14A1
DP651 (RUI)				6.12"	Full Round	17NYS34-19A
DS461 (RUI)				6.12"	Full Round	17NYS34-19A1
DS521 (RUI)				5.19"	Easy Service	17TYS34-14A (C)
DS601 (RUI)				5.19"	Easy Service	17TYS34-14A1
DS651 (RUI)				5.19"	Easy Service	17TYS34-21A
DT461 (RUI)				5.25"	Full Round	18N-4-3691X
DT521 (RUI)				5.25"	Full Round	18N-4-4601X
DT601 (RUI)				5.25"	Easy Service	18TYS34-2A1
DT651 (RUI)				4.25"	Wing Bearing	72NYS34-42A
				4.25"	Wing Bearing	72NYS34-42A1
				5.12"	RPL	20WYS34-1A
				5.94"	RPL	20WYS34-2A
D461 (FUO)						
DC461 (FUO)						
DC521 (FUO)						
DC601 (FUO)				6.50"	Full Round	16N-4-7551
DC651 (FUO)				5.50"	Full Round	16NYS34-12
DP461 (FUO)				5.50"	Full Round	16NYS34-13A1
DP521 (FUO)				5.81"	Full Round	176N-4-1171
DP601 (FUO)				5.81"	Full Round	176NYS38-4A1
DP651 (FUO)	2.13" - 41	3.00"	2.94"	6.63"	Full Round	17N-4-7541
DS461 (FUO)				5.50"	Full Round	17NYS34-17
DS521 (FUO)				6.63"	Full Round	17NYS34-18A1
DS601 (FUO)				5.81"	Full Round	18N-4-3931
DS651 (FUO)				5.81"	Full Round	18NYS34-3A1
DT461 (FUO)				4.25"	Wing Bearing	72NYS34-41
DT521 (FUO)				4.25"	Wing Bearing	72NYS34-41A
DT601 (FUO)						
DT651 (FUO)						

(C) Cast Version
 (FUI) Forward Unit Input
 (FUO) Forward Unit Output
 (RUI) Rear Unit Input

U.S. 888-725-9355
 Canada 800-387-3889

MeritorPartsOnline.com

15-13

15

EATON AXLES

Model	Spline Size Dia. - Tooth Count	Spline Length	Hub Dia.	Center to End	Yoke Type	Part Number
DP461 (FUO)						
DP521 (FUO)						
DP601 (FUO)						
DP651 (FUO)						
DS461 (FUO)						
DS521 (FUO)	2.13" - 41	3.00"	2.94"	5.53"	RPL	20WYS34-3A
DS601 (FUO)				6.44"	RPL	20WYS34-4A
DS651 (FUO)						
DT461 (FUO)						
DT521 (FUO)						
DT601 (FUO)						
DT651 (FUO)						
340D (FUI)	2.16" - 16	2.50"	2.94"	5.25"	Full Round	176N-4-231X
380D (FUI)				5.19"	Full Round	17N-4-4961
400D (FUI)				5.19"	Easy Service	17N-4-4961-1
50D (FUI)				5.19"	Full Round	17N-4-5061X
				5.25"	Full Round	18N-4-2441
			4.25"	Wing Bearing	92NYS34-6A	
19121						
19221						
19321						
19421						
19426						
20120						
23121						
23221						
23321						
23427						
26121						
26221						
26321	2.16" - 16	2.88"	2.94"	4.56"	Wing Bearing	58WBYS34-7
26421						
35327						
44D (RUI)						
DP440 (RUI)						
DP480 (RUI)						
DP550 (RUI)						
DP580 (RUI)						
DP650 (RUI)						
DT440 (RUI)						
DT480 (RUI)						
DT550 (RUI)						
DT580 (RUI)						

EATON AXLES

Model	Spline Size Dia. - Tooth Count	Spline Length	Hub Dia.	Center to End	Yoke Type	Part Number
DT650 (RUI)	2.16" - 16	2.88"	2.94"	4.56"	Wing Bearing	58WBYS34-7
19121						
19221						
19321						
19421						
19426						
20120						
23121				5.06"	Easy Service	155N-4-5431-1X
23221				6.25"	Easy Service	16N-4-5031-1X
23321				6.25"	Full Round	16N-4-5161X
23427				6.72"	Full Round	16N-4-5511X
26121				5.81"	Easy Service	176N-4-141-1
26221				5.81"	Full Round	176N-4-251X
26321	2.16" - 16	3.00"	2.94"	5.50"	Full Round	17N-4-4171X
26421				6.63"	Full Round	17N-4-5481X
35327				6.31"	Full Round	17NYS34-5A
44D (RUI)				5.50"	Easy Service	17TYS34-23A
DP440 (RUI)				5.50"	Easy Service	17TYS34-3A (C)
DP480 (RUI)				5.81"	Easy Service	18N-4-2401-1X
DP550 (RUI)				5.81"	Full Round	18N-4-2401X
DP580 (RUI)				4.25"	Wing Bearing	72NYS34-24A
DP650 (RUI)						
DT440 (RUI)						
DT480 (RUI)						
DT550 (RUI)						
DT580 (RUI)						
DT650 (RUI)						
44D (FUO)						
DP440 (FUO)				5.06"	Easy Service	155TYS34
DP480 (FUO)				6.25"	Full Round	16N-4-5031
DP550 (FUO)				6.25"	Easy Service	16N-4-5031-1
DP580 (FUO)				6.72"	Full Round	16N-4-5501
DP650 (FUO)	2.16" - 16	3.00"	2.94"	5.81"	Full Round	176N-4-141
DT440 (FUO)				5.50"	Full Round	17N-4-2181
DT480 (FUO)				6.31"	Full Round	17N-4-4161
DT550 (FUO)				6.63"	Full Round	17N-4-4591
DT580 (FUO)				5.50"	Easy Service	17TYS34-23
DT650 (FUO)				5.81"	Full Round	18N-4-2291

(C) Cast Version
 (FUI) Forward Unit Input
 (FUO) Forward Unit Output
 (RUI) Rear Unit Input

EATON AXLES

Model	Spline Size Dia. - Tooth Count	Spline Length	Hub Dia.	Center to End	Yoke Type	Part Number			
				4.34"	Easy Service	155TYS36-1A1			
				4.84"	Full Round	16NYS36-14A1			
				4.84"	Easy Service	16TYS36-14A1			
				5.09"	Full Round	176NYS36-10A1			
23085	2.28" - 44	2.34"	2.94"	5.09"	Easy Service	176TYS36-10A1			
23105				5.03"	Full Round	17NYS36-57A1			
				5.03"	Easy Service	17TYS36-58A1			
				5.09"	Full Round	18NYS36-16A1			
				5.09"	Easy Service	18TYS36-16A1			
				4.03"	Wing Bearing	92NYS36-73A1			
30105									
D341 (FUI)									
D381 (FUI)									
D401 (FUI)									
D501 (FUI)									
DP341 (FUI)				4.50"	Easy Service	155TYS36A			
DP381 (FUI)				5.00"	Full Round	16NYS36-8A			
DP401 (FUI)				5.00"	Easy Service	16TYS36-15A			
DP501 (FUI)				5.25"	Full Round	176N4-1481X			
DS341 (FUI)				5.25"	Easy Service	176TYS36-11A			
DS381 (FUI)	2.28" - 44	2.50"	2.94"	5.19"	Full Round	17NYS36-60A			
DS401 (FUI)				5.19"	Easy Service	17TYS36-61A			
DS401P (FUI)				5.25"	Full Round	18NYS36-19A			
DS402 (FUI)				5.25"	Easy Service	18N4-43511X			
DS501 (FUI)				4.03"	Wing Bearing	92NYS36-74			
DT341 (FUI)				4.03"	Wing Bearing	92NYS36-74A			
DT381 (FUI)									
DT401 (FUI)									
DT402 (FUI)									
DT501 (FUI)									
SUPER 23									
DP451 (FUI)				4.75"	RPL	20WYS36-3A			
DT402 (FUI)	2.28" - 44	2.50"	2.94"	4.75"	RPL	25WYS36-3A			
DT451 (FUI)									
				5.00"	Easy Service	16TYS36-16A			
				5.25"	Full Round	176N4-5221X			
				5.25"	Easy Service	176N4-52211X			
				5.19"	Full Round	17NYS36-62A			
D404 (FUI)	2.28" - 44	2.50"	3.00"	5.19"	Easy Service	17TYS36-62A			
				5.25"	Full Round	18NYS36-20A			
				5.25"	Easy Service	18TYS36-20A			
				4.81"	RPL	20WYS36-1A			
				4.81"	RPL	25WYS36-1A			

EATON AXLES

Model	Spline Size Dia. - Tooth Count	Spline Length	Hub Dia.	Center to End 4.03"	Yoke Type Wing Bearing	Part Number 92NYS36-75A
D461 (FUI)						
DC461 (FUI)						
DC521 (FUI)						
DC601 (FUI)						
DC651 (FUI)						
DP461 (FUI)						
DP521 (FUI)				6.01"	Full Round	18N-4-4611X
DP601 (FUI)				4.75"	Wing Bearing	82NYS38-33A
DP651 (FUI)	2.38" - 46	3.20"	3.38"	4.75"	Wing Bearing	82NYS38-33A1
DS461 (FUI)				5.01"	Wing Bearing	92NYS38-75A
DS521 (FUI)						
DS601 (FUI)						
DS651 (FUI)						
DT461 (FUI)						
DT521 (FUI)						
DT601 (FUI)						
DT651 (FUI)						
D461 (FUI)						
DC461 (FUI)				6.20"	Full Round	176N-4-1161X
DC521 (FUI)				6.20"	Full Round	176NYS38-20A1
DC601 (FUI)				6.20"	Easy Service	176TYS38-20A
DC651 (FUI)				6.20"	Easy Service	176TYS38-20A1
DP461 (FUI)				6.00"	Full Round	17NYS38-44A
DP521 (FUI)				6.00"	Full Round	17NYS38-44A1
DP601 (FUI)				6.01"	Easy Service	17TYS38-44A (C)
DP651 (FUI)	2.38" - 46	3.20"	3.38"	6.01"	Easy Service	17TYS38-44A1
DS461 (FUI)				6.01"	Easy Service	17N-4-7531-1X
DS521 (FUI)				6.00"	Full Round	18N-4-3921X
DS601 (FUI)				6.01"	Easy Service	18TYS38-21A
DS651 (FUI)				6.01"	Easy Service	18TYS38-21A1
DT461 (FUI)				5.31"	RPL	20WYS38-11A
DT521 (FUI)				5.31"	RPL	25WYS38-6A
DT601 (FUI)						
DT651 (FUI)						

(C) Cast Version
(FUI) Forward Unit Input
(FUO) Forward Unit Output
(RUI) Rear Unit Input

EATON AXLES

Model	Spline Size Dia. - Tooth Count	Spline Length	Hub Dia.	Center to End	Yoke Type	Part Number
44D (FUI)				6.00"	Easy Service	176N-4-131-1X
DP440 (FUI)				6.00"	Full Round	176N-4-241X
DP480 (FUI)				5.81"	Full Round	17N-4-4751X
DP550 (FUI)				5.25"	Full Round	17NYS39-1A
DP580 (FUI)				6.97"	Full Round	17NYS39-2A
DP650 (FUI)	2.42" - 18	3.00"	3.38"	6.97"	Easy Service	17TYS39-2A
DT440 (FUI)				5.81"	Easy Service	17TYS39-3A (C)
DT480 (FUI)				5.81"	Easy Service	17TYS39-4A
DT550 (FUI)				5.81"	Full Round	18N-4-2361X
DT580 (FUI)				5.81"	Easy Service	18TYS39A
DT650 (FUI)				4.25"	Wing Bearing	92NYS39A

MERITOR AXLES AND TRANSFER CASES

INDEX

	Page		Page
59000 Series.....	15-42	PRC1044.....	15-28, 15-31
59732.....	15-42	PRC1103.....	15-25
59733.....	15-42	PRC1104.....	15-24, 15-27
61142.....	15-40	PRC1105.....	15-28
61143.....	15-40	PRC1313 (FUO).....	15-26
C100.....	15-24	PRC1313 (RUI).....	15-26
C102.....	15-24	PRC1314.....	15-28, 15-31
C103.....	15-24	PRC1315.....	15-28, 15-36
D140.....	15-24		15-37
F106.....	15-25	PRC1318.....	15-36
F140.....	15-25	PRC1925.....	15-36, 15-37
FDS75.....	15-25	PRC1927.....	15-39
FDS90.....	15-25	PRC3795.....	15-36, 15-37
FDS1600.....	15-25	PRC3796.....	15-39
FDS1800.....	15-36	PRC3805.....	15-36, 15-37
FDS2100.....	15-36	PRC4264.....	15-39
H172.....	15-24, 15-27	PRC4364.....	15-36, 15-37
L172.....	15-24, 15-27	PRC4805.....	15-36, 15-37
L600.....	15-24, 15-27	PRC4806 (FUI).....	15-41
M172.....	15-24, 15-27	PRC4806 (FUO).....	15-32
PR300.....	15-28	PRC4807.....	15-39
PR400.....	15-28	PRC4824.....	15-39
PR401 (FUO).....	15-26	PRC5225.....	15-39, 15-41
PR401 (RUI).....	15-26	PRC5324.....	15-39
PR500.....	15-28	PRLC415.....	15-31
PRC264.....	15-24	PRLC614.....	15-24, 15-25
PRC265.....	15-31		15-27
PRC671 (FUI).....	15-25	PRLC615.....	15-24, 15-27
PRC671 (FUO).....	15-28	PRLC615 (FUO).....	15-26
PRC672.....	15-24, 15-25	PRLC755.....	15-31
	15-27	PRLC756.....	15-28
PRC672.....	15-28	PRLC1753 (FUI).....	15-25
PRC673.....	15-24, 15-27	PRLC1753 (FUO).....	15-28
	15-28	PRLC1754.....	15-24, 15-27
PRC673 (FUO).....	15-26	PRLC1756.....	15-28, 15-31
PRC673 (RUI).....	15-26	PRLC1757.....	15-36, 15-37
PRC674.....	15-28	PRM672.....	15-24, 15-25
PRC675.....	15-28		15-27, 15-28
PRC676.....	15-28, 15-31	PRM673.....	15-24, 15-27
PRC677.....	15-36, 15-37		15-28
PRC863.....	15-25	PRM673 (FUO).....	15-26
PRC864.....	15-24, 15-27	PRM673 (RUI).....	15-26
PRC867.....	15-36, 15-37	PRM674.....	15-28

(C) Cast Version
(FUI) Forward Unit Input
(FUO) Forward Unit Output
(RUI) Rear Unit Input

U.S. 888-725-9355
Canada 800-387-3889

MeritorPartsOnline.com

15-19

MERITOR AXLES AND TRANSFER CASES

INDEX

	Page		Page
PRM675.....	15-28	PSM596.....	15-24, 15-27
PRM676.....	15-28, 15-31	PSM823.....	15-25
PRM677.....	15-36, 15-37	PSM824.....	15-24, 15-25 15-27
PRS264.....	15-24	PSM825.....	15-24, 15-27
PRS265.....	15-31	PSM826.....	15-28, 15-31
PS300.....	15-28	PSM827.....	15-36, 15-37
PSC204.....	15-24	PSM1044.....	15-28, 15-31
PSC205.....	15-24	PSM1045.....	15-28
PSC205.....	15-31	PSM1485.....	15-36, 15-37
PSC353.....	15-24	PSM1614.....	15-28, 15-31
PSC354.....	15-24	PSM1615.....	15-28, 15-36 15-37
PSC592.....	15-25	PSM1616.....	15-34
PSC593.....	15-24	PSM1617.....	15-28
PSC594.....	15-24	PSM1618.....	15-28, 15-36
PSC595 (FUI).....	15-25	Q100.....	15-28, 15-31
PSC595 (FUO).....	15-28	R100.....	15-28
PSC596.....	15-24, 15-25	R125.....	15-31
PSC596.....	15-27	R128.....	15-31
PSC597 (FUO).....	15-26	R140.....	15-28
PSC597 (RUI).....	15-26	R155.....	15-36, 15-37
PSC723.....	15-25	R160.....	15-28
PSC724.....	15-25	R170.....	15-39
PSC726.....	15-24, 15-25	R180.....	15-39, 15-41
PSC726.....	15-27	R200.....	15-29
PSC823.....	15-25	R220.....	15-29
PSC824.....	15-24, 15-25 15-27	R230.....	15-29
PSC825.....	15-24, 15-27	R240.....	15-29
PSC826.....	15-28, 15-31	R255.....	15-36
PSC827.....	15-36, 15-37	R270.....	15-31, 15-32 15-34
PSC1044.....	15-31	R300.....	15-29
PSC1045.....	15-28	R330.....	15-29
PSC1485.....	15-36, 15-37	R340.....	15-29
PSC1614.....	15-28, 15-31	R360.....	15-29
PSC1615.....	15-28, 15-36 15-37	R611.....	15-31
PSC1616.....	15-34	RC-XX-160.....	15-40
PSC1617.....	15-28	RF-XX-145.....	15-31
PSC1618.....	15-28, 15-36	RF-XX-155.....	15-36, 15-37
PSC1794.....	15-28	RF-XX-156.....	15-36, 15-37
PSC1875.....	15-36, 15-37	RF-XX-160.....	15-40
PSM593.....	15-24	RF-XX-180.....	15-42
PSM594.....	15-24		

MERITOR AXLES AND TRANSFER CASES

INDEX

	Page		Page
RL170	15-39	SHDD (FUO).....	15-29, 15-38
RP611 (FUI).....	15-34	SHDD (RUI)	15-29, 15-36
RP611 (FUO).....	15-27	SHD (FUI)	15-41
RP611 (RUI)	15-31	SHD (FUO).....	15-29, 15-38
RS-XX-120.....	15-24, 15-27	SHD (RUI).....	15-29, 15-36
RS-XX-125.....	15-24, 15-27		15-37
RS-XX-140.....	15-24, 15-27	SL100 (FUI)	15-34
RS-XX-145.....	15-31, 15-35	SL100 (FUO).....	15-27
RS-XX-160.....	15-40	SL100 (RUI).....	15-31
RS-XX-180.....	15-42	SLHD (FUI)	15-30
RS-XX-181.....	15-41, 15-42	SLHD (FUO).....	15-26
RS-XX-210.....	15-24, 15-27	SLHD (RUI).....	15-26
RS-XX-220.....	15-24, 15-27	SPRC135-6	15-29
RS-XX-230.....	15-24, 15-27	SPRC1353 (FUI)	15-30
RS-XX-240.....	15-31, 15-35	SPRC1353 (FUO)	15-26
RS-XX-380.....	15-31, 15-32	SPRC1353 (RUI).....	15-26
	15-34	SPRC1355	15-28
RT140	15-29	SPRC1356	15-29, 15-34
RT240	15-29	SPRC1357 (FUI)	15-34
RT340	15-29	SPRC1357 (FUO).....	15-27
RT-XX-140 (FUI)	15-34	SPRC1357 (RUI).....	15-31
RT-XX-140 (FUO).....	15-27	SPRC1734 (FUI)	15-30
RT-XX-140 (RUI).....	15-31	SPRC1734 (FUO)	15-26
RT-XX-145 (FUI)	15-34, 15-40	SPRC1734 (RUI).....	15-26
RT-XX-145 (FUO).....	15-32, 15-35	SPRC1735	15-34
RT-XX-145 (RUI).....	15-31, 15-35	SPRC1736	15-28
RT-XX-160 (FUI)	15-40	SPRC1736 (FUI)	15-34
RT-XX-160 (FUO).....	15-32, 15-35	SPRC1736 (FUO).....	15-27
RT-XX-160 (RUI).....	15-40	SPRC1736 (RUI).....	15-31
RT-XX-180 (FUI)	15-41, 15-42	SPRC1737	15-36, 15-37
RT-XX-180 (FUO).....	15-32, 15-35	SPRC1925	15-36, 15-37
RT-XX-180 (RUI).....	15-42	SPRC1926 (FUI)	15-41
RT-XX-380 (FUI)	15-41, 15-42	SPRC1926 (FUO).....	15-29, 15-38
RT-XX-380 (FUO).....	15-32, 15-35	SPRC1926 (RUI).....	15-29, 15-36
RT-XX-380 (RUI).....	15-31, 15-32	SPRC1927	15-39
	15-34, 15-42	SQ100 (FUI).....	15-34
S162	15-29	SQ100 (FUO).....	15-27
S163	15-29	SQ100 (RUI)	15-31, 15-35
S170	15-39	SQHD (FUI)	15-30
SFDD4640 (FUI).....	15-39	SQHD (FUO).....	15-26
SFDD4640 (FUO)	15-39	SQHD (RUI)	15-26
SFDD4640 (RUI).....	15-39	SQHP (FUI)	15-34
SHDD (FUI)	15-41	SQHP (FUO).....	15-27

(C) Cast Version
(FUI) Forward Unit Input
(FUO) Forward Unit Output
(RUI) Rear Unit Input

U.S. 888-725-9355
Canada 800-387-3889

MeritorPartsOnline.com

15-21

MERITOR AXLES AND TRANSFER CASES

INDEX

	Page		Page
SQHP (RUI).....	15-31	STHD (FUO)	15-29, 15-38
SR170 (FUI).....	15-41	STHD (RUI).....	15-29, 15-36
SR170 (FUO).....	15-32		15-37
SR170 (RUI)	15-39	SU170 (FUI).....	15-41
SR270 (FUI).....	15-31, 15-32	SU170 (FUO).....	15-32
	15-34	SU170 (RUI)	15-39
SR270 (FUI).....	15-41	SU270 (FUI).....	15-32
SR270 (FUO).....	15-32	SU270 (FUI).....	15-34, 15-41
SR270 (RUI)	15-31, 15-32	SU270 (FUO).....	15-32
	15-34	SU270 (RUI)	15-32, 15-34
SR280 (FUI).....	15-31, 15-32	SU280 (FUI).....	15-32, 15-34
SR280 (FUI).....	15-34, 15-41	SU280 (FUI).....	15-41
SR280 (FUO).....	15-32	SU280 (FUO).....	15-32
SR280 (RUI)	15-31, 15-32	SU280 (RUI)	15-32, 15-34
	15-34	SUDD (FUI).....	15-39, 15-41
SRDD (FUI).....	15-39	SUDD (FUO).....	15-29, 15-38
SRDD (FUO).....	15-39	SUDD (RUI)	15-29, 15-36
SRDD (RUI)	15-39	SUDD (RUI)	15-37
SRTD (FUI).....	15-39	SUHD (FUI).....	15-39, 15-41
SRTD (FUO)	15-39	SUHD (FUO).....	15-29, 15-38
SRTD (RUI).....	15-39	SUHD (RUI)	15-29, 15-36
SSH (FUI)	15-41		15-37
SSH (FUO).....	15-29, 15-38	SW170 (FUI).....	15-41
SSH (RUI).....	15-29, 15-36	SW170 (FUO).....	15-32
	15-37	SW170 (RUI)	15-39
SSH (RUI).....	15-39	SW270 (FUI).....	15-32
ST170 (FUI)	15-41	SW270 (FUI).....	15-34, 15-41
ST170 (FUO).....	15-32	SW270 (FUO).....	15-32
ST170 (RUI).....	15-39, 15-31	SW270 (RUI)	15-32, 15-34
ST270 (FUI)	15-32, 15-34	SW280 (FUI).....	15-32, 15-34
	15-41		15-41
ST270 (FUO).....	15-32	SW280 (FUO).....	15-33
ST270 (RUI).....	15-31, 15-32	SW280 (RUI)	15-32, 15-33
	15-34		15-35
ST280 (FUI)	15-31, 15-32	T77-3	15-30
	15-34, 15-41	T182A	15-26
ST280 (FUO).....	15-32	T182B	15-26
ST280 (RUI).....	15-31, 15-32	T215.....	15-26, 15-29
	15-34		15-30, 15-38
STDD (FUI)	15-39	T218.....	15-38, 15-39
STDD (FUO)	15-39	T218PD.....	15-30
STDD (RUI).....	15-39	T219.....	15-26, 15-29
STHD (FUI)	15-39, 15-41		15-30, 15-38

MERITOR AXLES AND TRANSFER CASES

INDEX

	Page
T223.....	15-25
T223H.....	15-25
T226.....	15-30
T228.....	15-30, 15-39 15-41, 15-42
T270.....	15-33
T2111.....	15-38, 15-39
T-2120.....	15-38, 15-42
T2120RS.....	15-38, 15-42
TR403.....	15-26
U170.....	15-39
U180.....	15-39, 15-41
U200.....	15-29
U240.....	15-29, 15-36
U270.....	15-33
U300.....	15-29
W170.....	15-39
W270.....	15-33

MERITOR AXLES AND TRANSFER CASES

Model	Spline Size Dia. - Tooth Count	Spline Length	Hub Dia.	Center to End	Yoke Type	Part Number
H172						
L172						
L600						
M172						
PRC1104						
PRC672						
PRC673						
PRC864						
PRLC1754						
PRLC614						
PRLC615						
PRM672						
PRM673	1.75" - 34	2.25"	2.25"	4.19"	Easy Service	141DYS28A
PSC596						
PSC726						
PSC824						
PSC825						
PSM596						
PSM824						
PSM825						
RS-XX-120						
RS-XX-125						
RS-XX-140						
RS-XX-210						
RS-XX-220						
RS-XX-230						
C100				3.50"	Easy Service	141NYS22A
C102	1.38" - 10	1.75"	2.13"	3.50"	Easy Service	141TYS22A
C103				4.00"	Easy Service	148DYS22-4A
				3.96"	Easy Service	148NYS22-1A
				4.00"	Easy Service	155DYS22-2A
D140						
PRC264						
PRS264				3.50"	Easy Service	141DYS22A
PSC204				3.50"	Easy Service	141NYS22A4
PSC205				3.96"	Easy Service	148DYS22A
PSC353	1.38" - 10	1.75"	2.13"	3.96"	Easy Service	148N-4-8961X
PSC354				3.96"	Easy Service	148TYS22A
PSC593				2.31"	Comp.Flange	2WCS22-51A1
PSC594				2.94"	Wing Bearing	62NYS22-9A
PSM593						
PSM594						
C100						
C102	1.38" - 26	1.75"	2.13"	3.50"	Easy Service	141TYS22-8A
C103						

(C) Cast Version
(FUI) Forward Unit Input
(FUO) Forward Unit Output
(RUI) Rear Unit Input

MERITOR AXLES AND TRANSFER CASES

Model	Spline Size Dia. - Tooth Count	Spline Length	Hub Dia.	Center to End	Yoke Type	Part Number				
PSC723	1.50" - 10	1.75"	2.25"	2.94"	Wing Bearing	62NYS24-36				
T223	1.50" - 10	2.19"	2.13"	4.25"	Easy Service	148N-4-3731				
				3.97"	Easy Service	155NYS24-6				
				2.81"	Comp.Flange	2WCS24-42				
				2.94"	Comp.Flange	2WCS24-43				
F106 F140 FDS75 FDS90 PSC724 PSC823 PSM823	1.50" - 10	2.19"	2.25"	4.00"	Easy Service	141N-4-2241X				
				3.88"	Easy Service	141NYS24A4				
				4.19"	Easy Service	148DYS24-2A				
				4.19"	Easy Service	148NYS24A2				
				4.00"	Easy Service	155DYS24-2A				
				4.00"	Easy Service	155NYS24-3A1				
				4.70"	Round Bearing	155TYSB24-5				
				3.88"	Wing Bearing	58WBYS24-1A				
				3.47"	Wing Bearing	62NYS24-17A1				
				3.94"	Wing Bearing	62NYSB24-31				
FDS1600 PRC1103 PRC671 (FUI) PRC672 PRC863 PRLC1753 (FUI) PRLC614 PRM672 PSC592 PSC595 (FUI) PSC596 PSC726 PSC824 PSM824	1.63" - 10	2.13"	2.38"	4.73"	Full Round	17NYS26				
				4.75"	Easy Service	17TYS26-3				
				3.19"	Wing Bearing	62NYS26-13				
				T223H	1.75" - 10	2.19"	2.25"	2.75"	Comp.Flange	2WCS28-33

MERITOR AXLES AND TRANSFER CASES

Model	Spline Size Dia. - Tooth Count	Spline Length	Hub Dia.	Center to End	Yoke Type	Part Number
PR401 (FUO)				4.75"	Full Round	16N-4-1931
PRC1313 (FUO)				5.00"	Full Round	16N-4-3621
PRC673 (FUO)				6.00"	Full Round	16N-4-3861
PRLC615 (FUO)				5.41"	Full Round	16N-4-4481
PRM673 (FUO)				6.00"	Full Round	16NYS28-11
PSC597 (FUO)				4.88"	Full Round	17N-4-2381
SLHD (FUO)	1.75" - 10	2.25"	2.75"	6.25"	Full Round	17N-4-4091
SPRC1353 (FUO)				3.88"	Wing Bearing	58WBYS28-3
SPRC1734 (FUO)				4.00"	Wing Bearing	62NYS28-111
SQHD (FUO)				3.31"	Wing Bearing	62NYS28-123
T182A				3.31"	Wing Bearing	62NYS28-195
T182B				3.50"	Wing Bearing	72NYS28-42
T215						
T219						
TR403						

PR401 (RUI)				4.75"	Full Round	16N-4-3611X
PRC1313 (RUI)				6.00"	Full Round	16N-4-4451X
PRC673 (RUI)				5.00"	Full Round	16NYS28-5A
PRM673 (RUI)				6.25"	Full Round	17N-4-4831X
PSC597 (RUI)				3.88"	Wing Bearing	58WBYS28-3A
SLHD (RUI)	1.75" - 10	2.25"	2.75"	4.00"	Wing Bearing	62NYS28-111A
SPRC1353 (RUI)				3.31"	Wing Bearing	62NYS28-123A
SPRC1734 (RUI)				3.31"	Wing Bearing	62NYS28-195A
SQHD (RUI)				3.50"	Wing Bearing	72NYS28-174A
T182A				3.50"	Wing Bearing	72NYS28-42A
T182B						
TR403						

MERITOR AXLES AND TRANSFER CASES

Model	Spline Size Dia. - Tooth Count	Spline Length	Hub Dia.	Center to End	Yoke Type	Part Number
H172				4.21"	Easy Service	141N-4-8061X
L172				4.47"	Easy Service	148DYS28A
L600				4.46"	Easy Service	148N-4-8051X
M172				4.47"	Easy Service	148N-4-8051-1X
PRC1104				4.69"	Easy Service	155DYS28-1A
PRC672				4.69"	Easy Service	155N-4-4111-1X
PRC673				4.66"	Easy Service	155NYS28-5A
PRC864				4.88"	Full Round	16N-4-5621X
PRLC1754				4.88"	Easy Service	16TYS28-13A
PRLC614				5.04"	Round Bearing	16TYSB28-53
PRLC615				4.88"	Full Round	17NYS28-43A
PRM672				4.88"	Easy Service	17TYS28-43A (C)
PRM673				4.88"	Easy Service	17TYS28-57A
PSC596	1.75" - 34	2.25"	2.50"	3.16"	Comp.Flange	2WCS28-72A
PSC726				2.84"	Comp.Flange	2WCS28-73A
PSC824				3.76"	Comp.Flange	2WCS28-80A
PSC825				2.84"	Comp.Flange	2WCS28-84A
PSM596				3.88"	Wing Bearing	58WBYS28-182A
PSM824				3.88"	Wing Bearing	58WBYS28-186A
PSM825				2.94"	Comp.Flange	5WCS28-54A
RS-XX-120				4.25"	Wing Bearing	62NYS28-154A
RS-XX-125				4.25"	Wing Bearing	62NYS28-155A
RS-XX-140				3.31"	Wing Bearing	62NYS28-160A
RS-XX-210				3.94"	Wing Bearing	62NYS28-201A
RS-XX-220				3.94"	Wing Bearing	62NYS28-202A
RS-XX-230				3.75"	Wing Bearing	72NYS28-162A
				3.75"	Wing Bearing	72NYS28-166A
				4.63"	Wing Bearing	92NYS36-62A
				2.94"	Comp.Flange	16N-1-6121
				6.03"	Full Round	16N-4-6251
				5.44"	Full Round	16N-4-6261
RP611 (FUO)				5.19"	Full Round	176NYS28
RT-XX-140 (FUO)				5.97"	Full Round	17N-4-6321
SL100 (FUO)				4.88"	Full Round	17N-4-6331
SPRC1357 (FUO)	1.75" - 34	2.25"	2.50"	4.88"	Easy Service	17N-4-6331-1
SPRC1736 (FUO)				4.00"	Wing Bearing	72NYS28-165
SQ100 (FUO)				3.63"	Wing Bearing	72NYS28-176
SQHP (FUO)				4.69"	Wing Bearing	72NYS28-177
				4.25"	Wing Bearing	72NYS28-179
				3.88"	Wing Bearing	82NYS28-36
				4.25"	Wing Bearing	92NYS28-5

(C) Cast Version
(FUI) Forward Unit Input
(FUO) Forward Unit Output
(RUI) Rear Unit Input

U.S. 888-725-9355
Canada 800-387-3889

MeritorPartsOnline.com

15-27

MERITOR AXLES AND TRANSFER CASES

Model	Spline Size Dia. - Tooth Count	Spline Length	Hub Dia.	Center to End	Yoke Type	Part Number
PRC1044						
PRC1105						
PRC1314						
PRC671 (FUO)						
PRC675						
PRC676						
PRLC1753 (FUO)						
PRLC1756						
PRM675				5.00"	Full Round	16N-4-2501
PRM676				4.56"	Full Round	16NYS30A
PSC1614	1.88" - 10	2.38"	2.75"	4.50"	Full Round	17N-4-2271
PSC1617				5.38"	Full Round	17NYS30
PSC1794				3.63"	Wing Bearing	72NYS30-2
PSC595 (FUO)						
PSC826						
PSM1044						
PSM1614						
PSM1617						
PSM826						
Q100						
SPRC1355						
SPRC1736						
PR300						
PR400						
PR500						
PRC1315						
PRC672				5.12"	Full Round	16N-4-5281X
PRC673				4.81"	Full Round	17N-4-4181X
PRC674				5.25"	Full Round	17N-4-4361X
PRLC756				6.50"	Full Round	17N-4-4481X
PRM672				5.25"	Easy Service	17TYS31-59A
PRM673				5.53"	Full Round	18NYS31A
PRM674	1.97" - 10	2.62"	2.75"	3.44"	Comp.Flange	3WCS31-15A
PS300				3.38"	Comp.Flange	5WCS31-7A
PSC1045				3.88"	Wing Bearing	72NYS31-3A
PSC1615				3.88"	Wing Bearing	72NYS31-4A
PSC1618				4.33"	Wing Bearing	72NYS31-8A
PSM1045				3.88"	Wing Bearing	82NYS31-5A
PSM1615				3.88"	Wing Bearing	82NYS31-6A
PSM1618						
R100						
R140						
R160						

MERITOR AXLES AND TRANSFER CASES

Model	Spline Size Dia. - Tooth Count	Spline Length	Hub Dia.	Center to End	Yoke Type	Part Number
R200						
R220						
R230						
R240						
R300						
R330				5.12"	Full Round	
R340				4.81"	Full Round	16N-4-5281X
R360				5.25"	Full Round	17N-4-4181X
RT140				6.50"	Full Round	17N-4-4361X
RT240				5.25"	Easy Service	17N-4-4481X
RT340				5.53"	Full Round	17TYS31-59A 18NYS31A
SHD (RUI)	1.97" - 10	2.62"	2.75"	3.44"	Comp.Flange	3WCS31-15A
SHDD (RUI)				3.38"	Comp.Flange	5WCS31-7A
SPRC135-6				3.88"	Wing Bearing	72NYS31-3A
SPRC1356				3.88"	Wing Bearing	72NYS31-4A
SPRC1926 (RUI)				4.33"	Wing Bearing	72NYS31-8A
SSHD (RUI)				3.88"	Wing Bearing	82NYS31-5A 82NYS31-6A
STHD (RUI)				3.88"	Wing Bearing	
SUDD (RUI)						
SUHD (RUI)						
U200						
U240						
U300						
S162				3.44"	Comp.Flange	
S163				5.12"	Full Round	16N-1-2121
SHD (FUO)				3.38"	Comp.Flange	16N-4-3681
SHDD (FUO)				5.25"	Full Round	17N-1-1461
SPRC1926 (FUO)	1.97" - 10	2.62"	2.75"	6.50"	Full Round	17N-4-3221
SSHD (FUO)				5.53"	Full Round	17N-4-4131
STHD (FUO)				5.53"	Full Round	18N-4-2251
SUDD (FUO)				3.88"	Wing Bearing	72NYS31-3
SUHD (FUO)				3.88"	Wing Bearing	72NYS31-4
				3.88"	Wing Bearing	72NYS31-8
				4.33"	Wing Bearing	72NYS31-8
				3.88"	Wing Bearing	82NYS31-5
				3.88"	Wing Bearing	82NYS31-6
				3.88"	Wing Bearing	82NYS31-6
				4.13"	Wing Bearing	85WBYS31-4
T215						
T219	2.00" - 10	2.25"	2.62"	4.34"	Comp.Flange	3WCS32-79

(C) Cast Version
(FUI) Forward Unit Input
(FUO) Forward Unit Output
(RUI) Rear Unit Input

MERITOR AXLES AND TRANSFER CASES

Model	Spline Size Dia. - Tooth Count	Spline Length	Hub Dia.	Center to End	Yoke Type	Part Number		
				5.19"	Full Round	16N-4-5131X		
				5.38"	Full Round	176N-4-181X		
SLHD (FUI)				5.19"	Easy Service	17N-4-3241-1		
SPRC1353 (FUI)	2.00" - 10	2.56"	2.94"	5.19"	Full Round	17N-4-4291X		
SPRC1734 (FUI)				5.38"	Easy Service	18N-4-1921-1		
SQHD (FUI)				5.38"	Full Round	18N-4-2341X		
				3.31"	Comp.Flange	3WCS32-43A		
				3.88"	Wing Bearing	92NYS32-2A		
						5.03"	Easy Service	155TYS32-23A
						5.00"	Full Round	16NYS32-26A
						5.00"	Easy Service	16TYS32-26A
			5.81"	Full Round	176NYS32-7A			
			5.63"	Easy Service	17N-4-2191-1			
			5.63"	Full Round	17NYS32-10A			
T215				5.63"	Full Round	17NYS32-10A1		
T219				4.81"	Full Round	17NYS32-63A		
T226	2.00" - 10	3.00"	2.94"	4.81"	Full Round	17NYS32-63A1		
T228				5.06"	Easy Service	17TYS32-83A		
T77-3				5.81"	Full Round	18NYS32-1A		
				4.31"	Wing Bearing	58WBYS32-41A		
				4.25"	Wing Bearing	62NYS32-16A		
				4.25"	Wing Bearing	72NYS32-302		
				4.75"	Wing Bearing	82NYS32-56A		
				4.25"	Wing Bearing	92NYS32-5A		
			4.25"	Wing Bearing	72NYS32-48			
T218PD	2.00" - 39	2.17"	3.00"	4.26"	Easy Service	16TYS32-65A		

MERITOR AXLES AND TRANSFER CASES

Model	Spline Size Dia. - Tooth Count	Spline Length	Hub Dia.	Center to End	Yoke Type	Part Number
PRC1044						
PRC1314						
PRC265						
PRC676				4.75"	Easy Service	148TYS32-4A
PRLC1756				4.75"	Easy Service	155DYS32-6A
PRLC415				4.38"	Easy Service	155TYS32-2A1
PRLC755				4.75"	Easy Service	155TYS32-6A
PRM676				5.54"	Full Round	16N-4-6281X
PRS265				6.22"	Full Round	16N-4-6291X
PSC1044				5.54"	Easy Service	16TYS32-32A
PSC1614				6.22"	Easy Service	16TYS32-33A
PSC205				4.88"	Easy Service	16TYS32-60A
PSC826				5.19"	Full Round	176NYS32-3A2
PSM1044				5.19"	Full Round	176NYS32-3A3
PSM1614				5.19"	Easy Service	176TYS32-3A1
PSM826				6.25"	Full Round	17N-4-6391X
Q100				5.16"	Full Round	17N-4-6421X
R125				5.16"	Easy Service	17N-4-7631-1X
R128				5.16"	Easy Service	17TYS32-55A (C)
R270				6.25"	Easy Service	17N-4-6391-1X
R611				5.16"	Easy Service	17TYS32-96A
RF-XX-145	2.00" - 39	2.31"	3.00"	5.19"	Full Round	18NYS32-12A3
RP611 (RUI)				5.75"	Full Round	18NYS32-17A2
RS-XX-145				5.19"	Easy Service	18TYS32-12A1
RS-XX-240				3.25"	Comp.Flange	2WCS32-13A
RS-XX-380				4.06"	Comp.Flange	2WCS32-15AX
RT-XX-140 (RUI)				3.38"	Comp.Flange	3WCS32-73A1
RT-XX-145 (RUI)				4.41"	Comp.Flange	3WCS32-81A
RT-XX-380 (RUI)				3.81"	Wing Bearing	58WBYS32-47A
SL100 (RUI)				3.31"	Comp.Flange	5WCS32-86A2
SPRC1357 (RUI)				2.62"	Comp.Flange	5WCS32-89A1
SPRC1736 (RUI)				3.27"	Comp.Flange	5WCS32-94A1
SQ100 (RUI)				4.00"	Wing Bearing	62NYS32-48A
SQHP (RUI)				3.81"	Wing Bearing	72NYS32-244A
SR270 (FUI)				4.88"	Wing Bearing	72NYS32-245A
SR270 (RUI)				4.06"	Wing Bearing	72NYSB32-258
SR280 (FUI)				3.88"	Wing Bearing	82NYS32-74A1
SR280 (RUI)				4.13"	Wing Bearing	85WBYS32-20A
ST270 (FUI)				4.44"	Wing Bearing	92NYS32-26A
ST270 (RUI)						
ST280 (FUI)						
ST280 (RUI)						

(C) Cast Version
(FUI) Forward Unit Input
(FUO) Forward Unit Output
(RUI) Rear Unit Input

U.S. 888-725-9355
Canada 800-387-3889

MeritorPartsOnline.com

15-31

MERITOR AXLES AND TRANSFER CASES

Model	Spline Size Dia. - Tooth Count	Spline Length	Hub Dia.	Center to End	Yoke Type	Part Number
SU270 (FUI)						
SU270 (RUI)						
SU280 (FUI)						
SU280 (RUI)	2.00" - 39	2.31"	3.00"	5.19"	Full Round	176NYS32-3A3
SW270 (FUI)						
SW270 (RUI)						
SW280 (FUI)						
SW280 (RUI)						
PRC4806 (FUO)						
R270						
RS-XX-380				4.75"	Easy Service	148TYS32-4
RT-XX-145 (FUO)				4.75"	Easy Service	155DYS32-6
RT-XX-160 (FUO)				4.38"	Easy Service	155TYS32-2
RT-XX-180 (FUO)				4.75"	Easy Service	155TYS32-6
RT-XX-380 (FUO)				6.22"	Full Round	16N-4-6241
RT-XX-380 (RUI)				5.54"	Full Round	16N-4-6271
SR170 (FUO)				5.54"	Easy Service	16N-4-6271-1
SR270 (FUI)				5.54"	Easy Service	16TYS32-60
SR270 (FUO)				5.19"	Full Round	176N-4-531
SR270 (RUI)				5.19"	Easy Service	176TYS32-3
SR280 (FUI)				6.25"	Full Round	17N-4-6371
SR280 (FUO)				5.16"	Full Round	17N-4-6401
SR280 (RUI)				5.16"	Easy Service	17TYS32-55 (C)
ST170 (FUO)				6.25"	Easy Service	17TYS32-56
ST270 (FUI)	2.00" - 39	2.31"	3.00"	5.16"	Easy Service	17TYS32-68
ST270 (FUO)				5.16"	Easy Service	17TYS32-96
ST270 (RUI)				5.19"	Full Round	18N-4-3371
ST280 (FUI)				5.19"	Easy Service	18TYS32-12
ST280 (FUO)				3.25"	Comp.Flange	2WCS32-13
ST280 (RUI)				3.38"	Comp.Flange	3WCS32-73
SU170 (FUO)				3.81"	Wing Bearing	58WBYS32-47
SU270 (FUI)				2.62"	Comp.Flange	5WCS32-89
SU270 (FUO)				3.27"	Comp.Flange	5WCS32-94
SU270 (RUI)				4.00"	Wing Bearing	62NYS32-48
SU280 (FUI)				3.81"	Wing Bearing	72NYS32-244
SU280 (FUO)				4.88"	Wing Bearing	72NYS32-245
SU280 (RUI)				3.88"	Wing Bearing	82NYS32-74
SW170 (FUO)				4.13"	Wing Bearing	85WBYS32-20
SW270 (FUI)				4.25"	Wing Bearing	92NYS32-25
SW270 (FUO)				4.44"	Wing Bearing	92NYS32-26
SW270 (RUI)						
SW280 (FUI)						

(C) Cast Version
(FUI) Forward Unit Input
(FUO) Forward Unit Output
(RUI) Rear Unit Input

MERITOR AXLES AND TRANSFER CASES

Model	Spline Size Dia. - Tooth Count	Spline Length	Hub Dia.	Center to End	Yoke Type	Part Number
				4.75"	Easy Service	148TYS32-4
				4.75"	Easy Service	155DYS32-6
				4.38"	Easy Service	155TYS32-2
				4.75"	Easy Service	155TYS32-6
				6.22"	Full Round	16N-4-6241
				5.54"	Full Round	16N-4-6271
				5.54"	Easy Service	16N-4-6271-1
				5.54"	Easy Service	16TYS32-60
				5.19"	Full Round	176N-4-531
				5.19"	Easy Service	176TYS32-3
				6.25"	Full Round	17N-4-6371
				5.16"	Full Round	17N-4-6401
				5.16"	Easy Service	17TYS32-55 (C)
SW280 (FUO)				6.25"	Easy Service	17TYS32-56
SW280 (RUI)				5.16"	Easy Service	17TYS32-68
T270	2.00" - 39	2.31"	3.00"	5.16"	Easy Service	17TYS32-96
U270				5.16"	Easy Service	17TYS32-96
W270				5.19"	Full Round	18N-4-3371
				5.19"	Easy Service	18TYS32-12
				3.25"	Comp.Flange	2WCS32-13
				3.38"	Comp.Flange	3WCS32-73
				3.81"	Wing Bearing	58WBYS32-47
				2.62"	Comp.Flange	5WCS32-89
				3.27"	Comp.Flange	5WCS32-94
				4.00"	Wing Bearing	62NYS32-48
				3.81"	Wing Bearing	72NYS32-244
				4.88"	Wing Bearing	72NYS32-245
				3.88"	Wing Bearing	82NYS32-74
				4.13"	Wing Bearing	85WBYS32-20
				4.25"	Wing Bearing	92NYS32-25
				4.44"	Wing Bearing	92NYS32-26

(C) Cast Version
(FUI) Forward Unit Input
(FUO) Forward Unit Output
(RUI) Rear Unit Input

MERITOR AXLES AND TRANSFER CASES

Model	Spline Size Dia. - Tooth Count	Spline Length	Hub Dia.	Center to End	Yoke Type	Part Number
				4.38"	Easy Service	155TYS32-2A
				4.75"	Easy Service	155TYS32-6A3
				5.54"	Full Round	16NYS32-32A1
				6.22"	Full Round	16NYS32-33A1
				5.54"	Easy Service	16TYS32-32A1
				4.88"	Easy Service	16TYS32-60A1
PSC1616				5.19"	Full Round	176N-4-541X
PSM1616				6.25"	Full Round	17N-4-6381X
RP611 (FUI)				5.16"	Full Round	17N-4-6411X
RT-XX-140 (FUI)				6.25"	Easy Service	17TYS32-56A1
RT-XX-145 (FUI)				5.16"	Easy Service	17TYS32-96A1
SL100 (FUI)				5.19"	Full Round	18N-4-3381X
SPRC1356	2.00" - 39	2.31"	3.00"	5.19"	Easy Service	18N-4-3841-1
SPRC1357 (FUI)				5.75"	Full Round	18NYS32-17A
SPRC1735				3.25"	Comp.Flange	2WCS32-13A2
SPRC1736 (FUI)				3.38"	Comp.Flange	3WCS32-73A
SQ100 (FUI)				3.81"	Wing Bearing	58WBYS32-47A2
SQHP (FUI)				3.31"	Comp.Flange	5WCS32-86A
				2.62"	Comp.Flange	5WCS32-89A
				3.27"	Comp.Flange	5WCS32-94A
				3.81"	Wing Bearing	72NYS32-244A1
				4.88"	Wing Bearing	72NYS32-245A1
				3.88"	Wing Bearing	82NYS32-74A
				4.13"	Wing Bearing	85WBYS32-20A1
				4.25"	Wing Bearing	92NYS32-25A
R270						
RS-XX-380						
RT-XX-380 (RUI)				5.54"	Full Round	16NYS32-32
SR270 (FUI)				6.22"	Full Round	16NYS32-33
SR270 (RUI)				5.54"	Easy Service	16TYS32-32
SR280 (FUI)				5.19"	Easy Service	176TYS32-3A2
SR280 (RUI)				5.16"	Full Round	17NYS32-55A3
ST270 (FUI)				6.25"	Full Round	17NYS32-56A3
ST270 (RUI)				5.16"	Easy Service	17TYS32-68A2
ST280 (FUI)	2.00" - 39	2.31"	3.00"	5.19"	Full Round	18NYS32-12A2
ST280 (RUI)				5.75"	Full Round	18NYS32-17A1
SU270 (FUI)				5.19"	Easy Service	18TYS32-12A2
SU270 (RUI)				3.31"	Comp.Flange	5WCS32-86A3
SU280 (FUI)				2.62"	Comp.Flange	5WCS32-89A2
SU280 (RUI)				3.27"	Comp.Flange	5WCS32-94A2
SW270 (FUI)				3.88"	Wing Bearing	82NYS32-74A2
SW270 (RUI)				4.13"	Wing Bearing	85WBYS32-20A2
SW280 (FUI)						

MERITOR AXLES AND TRANSFER CASES

Model	Spline Size Dia. - Tooth Count	Spline Length	Hub Dia.	Center to End	Yoke Type	Part Number
SW280 (RUI)	2.00" - 39	2.31"	3.00"	5.54"	Full Round	16NYS32-32
				6.22"	Full Round	16NYS32-33
				5.54"	Easy Service	16TYS32-32
				5.19"	Easy Service	176TYS32-3A2
				5.16"	Full Round	17NYS32-55A3
				6.25"	Full Round	17NYS32-56A3
				5.16"	Easy Service	17TYS32-68A2
				5.19"	Full Round	18NYS32-12A2
				5.75"	Full Round	18NYS32-17A1
				5.19"	Easy Service	18TYS32-12A2
				3.31"	Comp.Flange	5WCS32-86A3
				2.62"	Comp.Flange	5WCS32-89A2
				3.27"	Comp.Flange	5WCS32-94A2
				3.88"	Wing Bearing	82NYS32-74A2
4.13"	Wing Bearing	85WBYS32-20A2				
RS-XX-145	2.00" - 39	2.31"	3.00"	4.85"	RPL	20WYS32-1A
RS-XX-240				5.95"	RPL	20WYS32-2A
RT-XX-145 (RUI)						
SQ100 (RUI)						
RT-XX-145 (FUO)	2.00" - 39	2.31"	3.00"	4.85"	RPL	20WYS32-1
RT-XX-160 (FUO)				5.95"	RPL	20WYS32-2
RT-XX-180 (FUO)						
RT-XX-380 (FUO)						

MERITOR AXLES AND TRANSFER CASES

Model	Spline Size Dia. - Tooth Count	Spline Length	Hub Dia.	Center to End	Yoke Type	Part Number
FDS1800						
FDS2100						
PRC1315						
PRC1318				5.12"	Full Round	16N-4-5431X
PRC1925				5.94"	Full Round	16N-4-6961X
PRC3795				6.25"	Full Round	16NYS32-13A
PRC3805				5.19"	Full Round	176NYS32-4A
PRC4364				5.19"	Easy Service	176TYS32-4A
PRC4805				5.25"	Full Round	17N-4-5531X
PRC677				4.81"	Full Round	17N-4-5551X
PRC867				6.50"	Full Round	17NYS32-40A
PRLC1757				4.81"	Easy Service	17TYS32-69A
PRM677				5.25"	Easy Service	17TYS32-70A
PSC1485				5.53"	Full Round	18N-4-3171X
PSC1615				5.53"	Easy Service	18TYS32-3A
PSC1618				3.38"	Comp.Flange	2WCS32-12A
PSC1875				3.38"	Comp.Flange	3WCS32-68A
PSC827				3.38"	Comp.Flange	3WCS32-75A1
PSM1485	2.00" - 39	2.44"	2.75"	3.31"	Comp.Flange	5WCS32-75A
PSM1615				3.31"	Comp.Flange	5WCS32-76A
PSM1618				3.88"	Wing Bearing	72NYS32-219A1
PSM827				3.88"	Wing Bearing	72NYS32-220A1
R155				4.31"	Wing Bearing	72NYS32-221A2
R255				4.31"	Wing Bearing	72NYS32-222A
RF-XX-155				3.88"	Wing Bearing	82NYS32-69A1
RF-XX-156				3.88"	Wing Bearing	82NYS32-70A1
SHD (RUI)				6.25"	Full Round	16N-4-6871X
SHDD (RUI)				5.12"	Easy Service	16N-4-6951-1X
SPRC1737				5.12"	Full Round	16N-4-6951X
SPRC1925				5.19"	Full Round	176NYS32-4A1
SPRC1926 (RUI)				6.50"	Full Round	17N-4-6871X
SSHD (RUI)				4.81"	Full Round	17N-4-6941X
STHD (RUI)						
SUDD (RUI)						
SUHD (RUI)						
U240						

MERITOR AXLES AND TRANSFER CASES

Model	Spline Size Dia. - Tooth Count	Spline Length	Hub Dia.	Center to End	Yoke Type	Part Number
PRC1315	2.00" - 39	2.44"	2.75"	5.25"	Full Round	17N-4-6951X
				5.25"	Easy Service	17TYS32-70A1
				5.53"	Full Round	18N-4-3571X
				5.53"	Easy Service	18TYS32-3A1
				3.38"	Comp.Flange	3WCS32-68A2
				3.31"	Comp.Flange	5WCS32-75A2
				3.31"	Comp.Flange	5WCS32-76A2
				3.88"	Wing Bearing	72NYS32-219A
				3.88"	Wing Bearing	72NYS32-220A
				4.31"	Wing Bearing	72NYS32-221A
				4.31"	Wing Bearing	72NYS32-222A1
				3.88"	Wing Bearing	82NYS32-70A
PRC1925						
PRC3795						
PRC3805						
PRC4364						
PRC4805				6.25"	Full Round	16N-4-6871X
PRC677				5.12"	Easy Service	16N-4-6951-1X
PRC867				5.12"	Full Round	16N-4-6951X
PRLC1757				5.19"	Full Round	176NYS32-4A1
PRM677				6.50"	Full Round	17N-4-6871X
PSC1485				4.81"	Full Round	17N-4-6941X
PSC1615				5.25"	Full Round	17N-4-6951X
PSC1875				5.25"	Easy Service	17TYS32-70A1
PSC827	2.00" - 39	2.44"	2.75"	5.53"	Full Round	18N-4-3571X
PSM1485				5.53"	Easy Service	18TYS32-3A1
PSM1615				3.38"	Comp.Flange	3WCS32-68A2
PSM827				3.31"	Comp.Flange	5WCS32-75A2
R155				3.31"	Comp.Flange	5WCS32-76A2
RF-XX-155				3.88"	Wing Bearing	72NYS32-219A
RF-XX-156				3.88"	Wing Bearing	72NYS32-220A
SHD (RUI)				4.31"	Wing Bearing	72NYS32-221A
SPRC1737				4.31"	Wing Bearing	72NYS32-222A1
SPRC1925				3.88"	Wing Bearing	82NYS32-70A
SSHD (RUI)						
STHD (RUI)						
SUDD (RUI)						
SUHD (RUI)						

(C) Cast Version
(FUI) Forward Unit Input
(FUO) Forward Unit Output
(RUI) Rear Unit Input

MERITOR AXLES AND TRANSFER CASES

Model	Spline Size Dia. - Tooth Count	Spline Length	Hub Dia.	Center to End	Yoke Type	Part Number
				5.12"	Full Round	16N-4-5421
				5.12"	Easy Service	16N-4-5421-1
				5.94"	Full Round	16N-4-5441
				6.25"	Full Round	16N-4-5461
				5.19"	Full Round	176NYS32-4
				6.50"	Full Round	17N-4-5501
				5.25"	Full Round	17N-4-5521
				4.81"	Full Round	17N-4-5541
SHD (FUO)				5.25"	Easy Service	17N-4-6951-1
SHDD (FUO)				4.81"	Easy Service	17TYS32-69
SPRC1926 (FUO)				5.53"	Easy Service	18N-4-2781-1
SSHD (FUO)	2.00" - 39	2.44"	2.75"	5.53"	Full Round	18NYS32-3
STHD (FUO)				3.38"	Comp.Flange	3WCS32-68
SUDD (FUO)				3.31"	Comp.Flange	5WCS32-75
SUHD (FUO)				3.88"	Wing Bearing	72NYS32-219
				3.88"	Wing Bearing	72NYS32-220
				4.31"	Wing Bearing	72NYS32-221
				4.31"	Wing Bearing	72NYS32-222
				3.88"	Wing Bearing	82NYS32-69
				3.88"	Wing Bearing	82NYS32-70
				4.13"	Wing Bearing	85WBYS32-11
				3.88"	Wing Bearing	92NYS32-15
				5.25"	Easy Service	17N-4-6951-1X
T218	2.13" - 41	2.19"	3.00"	4.26"	Easy Service	17TYS34-26A
				4.75"	Easy Service	148TYS34-3
				4.31"	Easy Service	155TYS34-6A
				4.63"	Easy Service	16TYS34-21A
T2111				5.16"	Easy Service	17TYS34-38AX
T215	2.13" - 41	2.31"	2.94"	5.75"	Full Round	18NYS34-4A
T219				5.75"	Easy Service	18TYS34-4AX
				3.00"	Comp.Flange	5WCS34-7
				3.00"	Comp.Flange	5WCS34-8
				3.19"	Comp.Flange	5WCS34-9
				3.69"	Wing Bearing	85WBYS34-4
T-2120				5.35"	Full Round	17NYS34-29A
T2111	2.13" - 41	2.50"	2.94"	5.35"	Easy Service	17TYS34-29A
T2120RS				5.94"	Full Round	18NYS34-5A
				5.94"	Easy Service	18TYS34-5A

MERITOR AXLES AND TRANSFER CASES

Model	Spline Size Dia. - Tooth Count	Spline Length	Hub Dia.	Center to End	Yoke Type	Part Number
PRC1927						
PRC3796						
PRC4264						
PRC4807						
PRC4824				3.84"	Comp.Flange	16N-1-6341X
PRC5225				5.63"	Full Round	16N-4-6891X
PRC5324				5.84"	Full Round	176N-4-731X
R170				3.75"	Comp.Flange	17N-1-5631X
R180				6.06"	Full Round	17N-4-4411X
RL170				7.19"	Full Round	17N-4-6891X
S170				6.06"	Easy Service	17TYS36-52A
SFDD4640 (FUI)	2.25" - 10	3.00"	3.00"	3.75"	Comp.Flange	18N-1-2341X
SPRC1927				5.85"	Easy Service	18N-4-2551-1X
SR170 (RUI)				5.85"	Full Round	18N-4-2551X
SRDD (FUI)				4.25"	Wing Bearing	72NYS36-40A1
ST170 (RUI)				4.25"	Wing Bearing	72NYS36-54A2
SU170 (RUI)				4.75"	Wing Bearing	82NYS36-26A1
SW170 (RUI)				4.75"	Wing Bearing	82NYS36-30A1
T228						
U170						
U180						
W170						
SFDD4640 (FUO)						
SFDD4640 (RUI)						
SRDD (FUO)				5.63"	Full Round	16NYS36A1
SRDD (RUI)				5.84"	Full Round	176N-4-201X
SRTD (FUI)				7.19"	Full Round	17NYS36-19A
SRTD (FUO)				6.06"	Full Round	17NYS36A
SRTD (RUI)				5.85"	Full Round	18NYS36A
SSHD (RUI)	2.25" - 10	3.00"	3.00"	3.75"	Comp.Flange	5WCS36-76A2
STDD (FUI)				4.25"	Wing Bearing	72NYS36-54A
STDD (FUO)				4.75"	Wing Bearing	82NYS36-26A
STDD (RUI)				4.75"	Wing Bearing	82NYS36-30A
STHD (FUI)				4.19"	Wing Bearing	92NYS36-6A1
SUDD (FUI)						
SUHD (FUI)						
T218	2.25" - 41	2.22"	3.00"	4.25"	Easy Service	16TYS34-16A
				5.66"	Easy Service	17TYS36-59A
T2111	2.28" - 44	2.80"	2.94"	5.75"	Full Round	18NYS36-17A
				5.75"	Easy Service	18TYS36-17A
				4.38"	Wing Bearing	72NYS36-97A

(C) Cast Version
(FUI) Forward Unit Input
(FUO) Forward Unit Output
(RUI) Rear Unit Input

MERITOR AXLES AND TRANSFER CASES

Model	Spline Size Dia. - Tooth Count	Spline Length	Hub Dia.	Center to End	Yoke Type	Part Number
				6.19"	Full Round	16NYS38-12A
				4.94"	Full Round	16NYS38-8A
				6.19"	Easy Service	16TYS38-12A
				5.06"	Full Round	176N-4-1041X
				5.38"	Easy Service	17N-4-7181-1X
				5.38"	Full Round	17N-4-7181X
				5.38"	Easy Service	17TYS38-32A (C)
				6.50"	Easy Service	17TYS38-71A
				5.16"	Full Round	18N-4-3731X
				5.16"	Easy Service	18N-4-3731-1X
				5.16"	Round Bearing	18NYSB38-1
61142				3.31"	Comp.Flange	3WCS38-8A1
61143				3.88"	Comp.Flange	5WCS38-18A
RC-XX-160				3.56"	Comp.Flange	5WCS38-23A2
RF-XX-160	2.38" - 46	2.32"	3.25"	4.25"	Wing Bearing	72NYS38-24A
RS-XX-160				4.25"	Wing Bearing	72NYS38-26A
RT-XX-145 (FUI)				3.80"	Wing Bearing	72NYS38-31A
RT-XX-160 (FUI)				4.25"	Wing Bearing	82NYS38-31A
RT-XX-160 (RUI)				4.25"	Wing Bearing	82NYS38-32A
				4.06"	Wing Bearing	85WBYS38-14A
				4.22"	Wing Bearing	92NYS38-73A
				4.90"	RPL	20WYS38-1A
				4.90"	RPL	20WYS38-4A
				4.73"	RPL	25WYS38-13A
				4.88"	Full Round	17NYS38-61A
				5.16"	Easey Service	18N-4-03556-1X
				5.38"	Easy Service	17TYS38-76A2
				5.95"	RPL	20WYS38-3A
				6.51"	Full Round	17N-4-7771X
				4.73"	RPL	25WYS38-13A4
				5.06"	Full Round	176NYS38-14A4
				5.06"	Easy Service	176TYS38-27A5
MT-XX-14X-FUI	2-3/8" - 46	2.32"	3.25"	5.16"	Full Round	18NYS38-27A5
				5.16"	Easy Service	18TYS38-27A5
				5.38"	Full Round	17NYS38-32A3
				5.38"	Easy Service	17TYS38-76A5

MERITOR AXLES AND TRANSFER CASES

				3.31"	Comp. Flange	5WCS32-86
				3.38"	Comp. Flange	3WCS32-73
				3.81"	Wing Bearing	72NYS32-244
				3.88"	Wing Bearing	82NYS32-74
				4.12"	Wing Bearing	85WBYS32-20
				4.25"	Wing Bearing	92NYS32-25
				4.44"	Wing Bearing	92NYS32-26
				4.75"		155DYS32-6
				4.75"	Easy Service	155TYS32-6
				4.75"	Easy Service	148TYS32-4
				4.85"	RPL	20WYS32-17
				4.88"	Easy Service	16N-4-6421-1
MT-XX-14X-FUO	2" - 39	2.31"	3.00"	5.16"	Full Round	17NYS32-100
				5.16"	Easy Service	17N-4-7621-1
				5.19"	Full Round	176N-4-531
				5.19"	Full Round	18N-4-3371
				5.19"	Easy Service	18N-4-3371-1
				5.19"	Easy Service	176N-4-531-1
				5.54"	Full Round	16NYS32-32
				5.54"	Easy Service	16TYS32-32
				5.95"	RPL	20WYS32-2
				6.22"	Full Round	16N-4-6241
				6.22"	Easy Service	16TYS32-76
				6.25"	Full Round	17NYS32-99
				6.25"	Easy Service	17TYS32-99

MERITOR AXLES AND TRANSFER CASES

Model	Spline Size Dia. - Tooth Count	Spline Length	Hub Dia.	Center to End	Yoke Type	Part Number
				3.31"	Comp. Flange	5WCS32-86A2
				3.38"	Comp. Flange	3WCS32-73A1
				3.81"	Wing Bearing	72NYS32-244A
				3.88"	Wing Bearing	82NYS32-74A1
				4.00"	Wing Bearing	62NYS32-48A
				4.06"	Brake Flange	72NYSB32-258
				4.12"	Wing Bearing	85WBYS32-20A
				4.44"	Brake Flange	72NYSB32-323
				4.44"	Wing Bearing	92NYS32-26A
				4.75"	Easy Service	155DYS32-6A
				4.75"	Easy Service	155TYS32-6A
				4.75"	Easy Service	148TYS32-4A
				4.85"	RPL	20WYS32-17A
MT-XX-142-RUI	2" - 39	2.31"	3.00"	4.88"	Easy Service	16TYS32-86A
				5.16"	Full Round	17N-4-6421X
				5.16"	Easy Service	17N-4-7641-1X
				5.19"	Full Round	176NYS32-3A2
				5.19"	Easy Service	176TYS32-3A1
				5.19"	Easy Service	18TYS32-12A1
				5.54"	Full Round	16N-4-6281X
				5.54"	Easy Service	16TYS32-32A
				5.95"	RPL	20WYS32-2A
				6.22"	Full Round	16N-4-6291X
				6.22"	Easy Service	16TYS32-76A
				6.25"	Full Round	17NYS32-99A
				6.25"	Easy Service	17N-4-6391-1X
				7.30"	Easy Service	17TYSB32-98A
				8.21"	Easy Service	16TYSB32-92A1

MERITOR AXLES AND TRANSFER CASES

Model	Spline Size Dia. - Tooth Count	Spline Length	Hub Dia.	Center to End	Yoke Type	Part Number
				5.44"	Easy Service	176N-4-211-1X
				5.44"	Full Round	176N-4-211X
				5.69"	Full Round	17N-4-5461X
				5.69"	Easy Service	17TYS38-52A
SHD (FUI)				5.44"	Full Round	18N-4-2711X
SHDD (FUI)				5.44"	Easy Service	18N-4-2711-1X
SPRC1926 (FUI)				3.50"	Comp.Flange	5WCS38-4
SSHD (FUI)	2.38" - 46	2.62"	3.25"	3.50"	Comp.Flange	5WCS38-5A
STHD (FUI)				3.50"	Comp.Flange	5WCS38-6A
SUDD (FUI)				4.38"	Wing Bearing	72NYS38-15A
SUHD (FUI)				4.58"	Wing Bearing	82NYS38-14A
				4.58"	Wing Bearing	82NYS38-15A
				3.98"	Wing Bearing	92NYS38-39A
				4.50"	Wing Bearing	92NYS38-46A1
				5.63"	Full Round	176NYS38-25A
				6.06"	Full Round	17NYS38-69A
				5.85"	Full Round	18NYS38-25A
T228	2.38" - 46	2.88"	3.00"	3.75"	Comp.Flange	3WCS38-13A
				3.75"	Comp.Flange	5WCS38-31A
				3.75"	Comp.Flange	5WCS38-32A
				4.75"	Wing Bearing	82NYS38-34A
PRC4806 (FUI)						
PRC5225						
R180						
RS-XX-181				5.63"	Full Round	176NYS38-13A1
RT-XX-180 (FUI)				5.63"	Easy Service	176TYS38-13A1
RT-XX-380 (FUI)				5.94"	Full Round	17N-4-5961X
SR170 (FUI)				6.19"	Full Round	17NYS38-17A
SR270 (FUI)				6.93"	Full Round	17NYS38-63
SR280 (FUI)				5.94"	Easy Service	17TYS38-53A1
ST170 (FUI)	2.38" - 46	2.88"	3.25"	6.93"	Easy Service	17TYS38-70A1
ST270 (FUI)				5.69"	Easy Service	18N-4-3221-1X
ST280 (FUI)				5.69"	Full Round	18N-4-3221X
SU170 (FUI)				3.63"	Comp.Flange	3WCS38-9
SU270 (FUI)				3.56"	Comp.Flange	5WCS38-12A
SU280 (FUI)				3.95"	Comp.Flange	5WCS38-34A
SW170 (FUI)				4.31"	Wing Bearing	85WBYS38-19A
SW270 (FUI)				4.19"	Wing Bearing	92NYS38-52A
SW280 (FUI)						
U180						

(C) Cast Version
(FUI) Forward Unit Input
(FUO) Forward Unit Output
(RUI) Rear Unit Input

U.S. 888-725-9355
Canada 800-387-3889

MeritorPartsOnline.com

15-43

MERITOR AXLES AND TRANSFER CASES

Model	Spline Size Dia. - Tooth Count	Spline Length	Hub Dia.	Center to End	Yoke Type	Part Number
				5.50"	Full Round	16NYS38-11A
				5.50"	Easy Service	16TYS38-11A
				5.63"	Easy Service	176N-4-861-1X
				5.63"	Full Round	176N-4-861X
				5.94"	Full Round	17N-4-6961X
				6.93"	Full Round	17N-4-7851X
				6.19"	Full Round	17NYS38-17A2
				5.94"	Easy Service	17TYS38-53A
				6.93"	Easy Service	17TYS38-70A
RF-XX-180				5.69"	Easy Service	18N-4-3581-1X
RS-XX-180				5.69"	Full Round	18N-4-3581X
RT-XX-180 (RUI)	2.38" - 46	2.88"	3.25"	3.13"	Comp.Flange	3WCS38-11A
RS-XX-181				3.56"	Comp.Flange	5WCS38-12A2
				3.63"	Comp.Flange	5WCS38-20A
				3.63"	Comp.Flange	5WCS38-24A
				3.95"	Comp.Flange	5WCS38-34A2
				4.69"	Wing Bearing	72NYS38-20A
				4.69"	Wing Bearing	72NYS38-22A
				4.63"	Wing Bearing	82NYS38-28A
				4.19"	Wing Bearing	92NYS38-52A2
				6.25"	RPL	20WYS38-8A
RT-XX-180 (FUI)				5.00"	RPL	20WYS38-10A
RT-XX-380 (FUI)	2.38" - 46	2.88"	3.25"	5.00"	RPL	25WYS38-8A
RT-XX-380 (RUI)						
T228	2.38" - 46	2.88"	3.25"	5.69"	Full Round	18NYS38-8A3
T228	2.50" - 16	3.25"	3.00"	4.75"	Wing Bearing	82NYS40-30A
59000 Series				6.44"	Full Round	17NYS40-106A
59732	2.53" - 16	2.75"	3.25"	3.48"	Comp.Flange	3WCS40-1A
59733				3.48"	Comp.Flange	3WCS40-1A1
59000 Series				3.75"	Comp.Flange	5WCS40-29A1
59732	2.53" - 16	2.75"	3.50"	3.68"	Comp.Flange	5WCS40-39
59733				6.06"	Full Round	176NYS40-21A
				5.81"	Full Round	17NYS40-37A
T228	2.53" - 16	3.25"	3.25"	6.06"	Easy Service	17TYS40-151A
				6.06"	Full Round	18NYS40A
T-2120	2.99" - 22	2.75"	3.75"	5.56"	Full Round	18NYS48-1A
T2120RS				4.25"	Wing Bearing	92NYS48-72A

ALLISON TRANSMISSIONS

INDEX

	Page
4460.....	15-44, 15-45
AD6.....	15-44
AT540.....	15-44
AT543.....	15-44
AT545.....	15-44
CBT5640.....	15-46
CLBT5840 (IN).....	15-46
CLBT5860.....	15-46
CLBT750 (IN).....	15-45
CLBT750 (OUT).....	15-45
CLBT750 (OUT).....	15-46
CRT5633.....	15-46
CRT5643.....	15-46
CRT6030.....	15-45
CRT7033 (IN).....	15-45
CT5640.....	15-46
HT70.....	15-45
HT740.....	15-45, 15-46
HT750.....	15-45, 15-46
HTB741.....	15-45
HTB755BR.....	15-45
MD6.....	15-45
MT40.....	15-44
MT640.....	15-44
MT643.....	15-44
MT644.....	15-44
MT650.....	15-46
MT653.....	15-46
MT654CR.....	15-46
R2.....	15-44
TC.....	15-45
TG602.....	15-44
TT2000 Series.....	15-44

ALLISON TRANSMISSIONS

Model	Spline Size Dia. - Tooth Count	Spline Length	Hub Dia.	Center to End	Yoke Type	Comments	Part Number
R2	1.38" - 32	3.66"	2.13"	6.65" 6.65"	Round Bearing Round Bearing	GMT 455	141TYSB22-4 141TYSB22-4A
AD6	1.63" - 31	2.56"	2.44"	3.44"	Comp.Flange	With 9"x 3"brake	5WCS28-64
AD6	1.63" - 31	2.56"	2.44"	4.19" 4.63" 4.24"	Easy Service Easy Service Easy Service	Without brake	141TYS28-19 148TYS28-17 155TYS28-20
MT40	1.78" - 27	1.91"	2.17"	2.88"	Wing Bearing		72NYS28-66
MT640 MT643 MT644	1.78" - 34	2.75"	2.56"	3.70" 4.56"	Comp.Flange Wing Bearing	With 12"x 4"brake	17N-1-5371X 58WBYS28-162A
AT540 AT543 AT545	1.78" - 34	2.75"	2.56"	6.19" 6.25" 6.19" 6.25"	Round Bearing Round Bearing Round Bearing Round Bearing	With Bendix 9"x 3"or 10"x 3"brake	148NYSB29A 148TYSB28-11A 148TYSB29-1 155TYSB28-14A
MT640 MT643 MT644	1.78" - 34	2.75"	2.56"	4.38"	Wing Bearing	Without brake, threaded	58WBYS28-144
AT540 AT543 AT545	1.78" - 34	2.75"	2.56"	3.42" 6.25" 5.17" 5.17" 6.25" 5.31" 6.00" 3.70" 3.70"	Comp.Flange Round Bearing Easy Service Easy Service Round Bearing Easy Service Easy Service Comp.Flange Comp.Flange	Without brake	148N-1-4481X 148TYSB28-20A 155N-4-4801-1X 155N-4-4801-2X 155TYSB28-22A 16TYS28-51A 17N-4-5041-1 5WCS28-66 5WCS28-66A
MT640 MT643 MT644	1.78" - 34	2.75"	2.56"	5.31" 5.31" 7.19" 6.00" 4.56" 4.69"	Full Round Easy Service Full Round Easy Service Wing Bearing Wing Bearing	Without brake	16N-4-4841X 16TYS28-8A 17N-4-5041X 17TYS28-62A 58WBYS28-163 72NYS28-141
AT540 AT543 AT545	1.81" - 34	2.75"	2.56"	6.19"	Round Bearing		141NYSB29A1
TT2000 Series	1.88" - 14	2.02"	2.56"	3.34"	Wing Bearing	With brake	58WBYS30-7
TT2000 Series	1.88" - 14	2.32"	2.56"	4.40" 4.63"	Wing Bearing Wing Bearing	Without brake	58WBYSB30-6 62NYS30-22
4460 TG602	1.91" - 14	2.79"	2.62"	3.77"	Wing Bearing		72NYS30-1
MD6	2.13" - 41	2.05"	3.54"	3.08"	Comp.Flange	With 12"x 3"brake	5WCS32-96

(C) Cast Version
(FUI) Forward Unit Input
(FUO) Forward Unit Output
(RUI) Rear Unit Input

ALLISON TRANSMISSIONS

Model	Spline Size Dia. - Tooth Count	Spline Length	Hub Dia.	Center to End	Yoke Type	Comments	Part Number
MD6	2.13" - 41	2.05"	3.54"	5.00" 4.88"	Easy Service Easy Service	Without brake	16TYS32-59 17TYS32-67 (C)
4460				4.88"	Easy Service		17TYS32-77
HT70	2.36" - 18	2.31"	3.00"	3.00"	Wing Bearing		72NYS38-4
HTB741				5.12"	Full Round		176NYS38-21
HTB755BR	2.36" - 18	2.34"	2.75"	5.50"	Easy Service		176TYS38-23
				5.31"	Full Round		17NYS38-62
				5.31"	Easy Service		17TYS38-62
				5.63"	Full Round		18NYS38-23
				5.85"	Easy Service		18TYS38-24
				3.81"	Wing Bearing		92NYS38-76
HTB741	2.36" - 18	2.34"	3.75"	3.00"	Comp.Flange		5WCS38-25
HTB755BR				3.00"	Comp.Flange		5WCS38-26
CLBT750 (IN)				3.50"	Wing Bearing		72NYS38-1
CRT6030	2.36" - 18	2.76"	3.00"	4.09"	Wing Bearing		72NYS38-2
CRT7033 (IN)				4.28"	Wing Bearing		85WBYS38-2
TC	2.36" - 18	3.19"	3.00"	4.00"	Wing Bearing		72NYS38
CLBT750				6.12"	Full Round		176N-4-271
(OUT)				6.12"	Easy Service		176N-4-271-1
HT740	2.36" - 18	3.38"	3.50"	5.75"	Full Round		17N-4-4561
HT750				5.75"	Easy Service		17N-4-4561-1
				5.75"	Easy Service		17TYS38-22 (C)
				6.12"	Full Round		18N-4-2581
				6.12"	Easy Service		18N-4-2581-1
				5.22"	Wing Bearing		92NYS38-12
MT650							
MT653	2.38" - 46	3.38"	3.50"	5.22"	Wing Bearing	With 12"x 4"brake	72NYS38-10
MT654CR							
MT650							
MT653	2.38" - 46	3.38"	3.50"	5.75"	Full Round	Without brake	17N-4-4771
MT654CR							
MT650							
MT653	2.39" - 46	3.38"	3.50"	3.86"	Comp.Flange	With 12"x 4"brake	17N-1-4631X
MT654CR							

(C) Cast Version
(FUI) Forward Unit Input
(FUO) Forward Unit Output
(RUI) Rear Unit Input

ALLISON TRANSMISSIONS

Model	Spline Size Dia. - Tooth Count	Spline Length	Hub Dia.	Center to End	Yoke Type	Comments	Part Number
				6.12"	Full Round		16N-4-4861
				6.12"	Easy Service		16N-4-4861-1
				6.00"	Full Round		176N-4-381
MT650				5.75"	Easy Service		17TYS38-55
MT653	2.39" - 46	3.38"	3.50"	5.75"	Easy Service	Without brake	17TYS38-7 (C)
MT654CR				6.16"	Full Round		18N-4-2541
				6.15"	Easy Service		18N-4-2541-1
				4.75"	Wing Bearing		82NYS38-12
				4.75"	Wing Bearing		92NYS38-68
CRT5633	2.50" - 19	3.00"	3.50"	5.00"	Wing Bearing		92NYS40
				5.00"	Wing Bearing		92NYS40-3
CRT5643	2.50" - 19	3.13"	3.50"	3.98"	Wing Bearing		92NYS40-35
CLBT750 (OUT)	2.56" - 20	3.34"	3.50"	5.17"	Wing Bearing		92NYS42-16
CLBT750 (OUT)							
HT740	2.72" - 18	3.38"	3.50"	4.09"	Comp.Flange		17N-1-4541
HT750							
CBT5640							
CLBT5840 (IN)	3.00" - 23	3.00"	4.00"	4.50"	Wing Bearing		85WBYS48-14
CLBT5860							
CT5640							

CLARK TRANSMISSIONS

Model	Spline Size Dia. - Tooth Count	Spline Length	Hub Dia.	Center to End	Yoke Type	Comments	Part Number
CL450	1.75" - 10	2.00"	2.50"	5.06"	Round Bearing	With 9"x 3"brake	141TYSB28-20X
				3.50"	Comp.Flange		148N-1-6081X
				5.06"	Round Bearing		148TYSB28-7
				6.00"	Round Bearing		148TYSB28-9A
				5.98"	Round Bearing		155TYSB28-13A
				6.42"	Round Bearing		155TYSB28-38A
				6.73"	Round Bearing		16TYSB28-58A
				5.30"	Wing Bearing		58WBYS28-154
CL450	1.75" - 10	2.00"	2.50"	3.63"	Easy Service	Without brake	141TYS28-18
				4.00"	Easy Service		148DYS28-16
				4.00"	Easy Service		148TYS28-16
				4.57"	Full Round		16NYS28-45
				3.81"	Wing Bearing		58WBYS28-218
CL550	1.75" - 10	2.25"	2.50"	4.19"	Easy Service		155N-4-2511
				4.28"	Easy Service		155TYS28-8
				7.69"	Round Bearing		155TYSB31-7
				7.69"	Round Bearing		155TYSB31-7A
				4.12"	Full Round		16N-4-1051
				4.13"	Easy Service		16TYS28-20
				8.00"	Round Bearing		16TYSB31-20
				8.00"	Round Bearing		16TYSB31-20A
				4.25"	Wing Bearing		58WBYS28-54
				4.81"	Comp.Flange		5WCS28-67
3.50"	Wing Bearing	72NYS28-18					
CL550	1.97" - 10	2.80"	2.75"	5.00"	Easy Service		155TYS31-6
				5.28"	Easy Service		16TYS31-16
				5.75"	Easy Service		17TYS31-62
				4.81"	Comp.Flange		5WCS31-24
				4.81"	Comp.Flange		5WCS31-26

FULLER TRANSMISSIONS

INDEX

	Page		Page
2 Speed 62 (OUT)	15-51	FS8206.....	15-53
2 Speed 92.....	15-52	MRT11609 (OUT).....	15-53, 15-55
3 Speed 62 (IN).....	15-51	MRT11610 (OUT).....	15-53, 15-55
3 Speed 65 (IN).....	15-51	MRT11613 (OUT).....	15-53, 15-55
3 Speed 65 (OUT)	15-52	MRT11615 (OUT).....	15-53, 15-55
3 Speed 92.....	15-52	MT905 (OUT).....	15-52
4-A-86.....	15-52	MT11605 (OUT).....	15-52, 15-53
4-A-112.....	15-52	R96.....	15-52
4-A-860.....	15-52	R960.....	15-52
4-F-1440.....	15-57	R1150.....	15-52
4-FS-1440.....	15-57	R1160.....	15-52
4-MB-1440 (OUT).....	15-57	R1550.....	15-57
4-MS-1440 (OUT).....	15-57	RT510.....	15-52
4 Speed 75.....	15-52	RT610.....	15-52
5-C-72.....	15-51	RT613.....	15-54, 15-55
5-C-720.....	15-51	RT906.....	15-54, 15-55
5 Speed 65.....	15-51	RT909.....	15-54, 15-55
5 Speed 74.....	15-51	RT910.....	15-54, 15-55
5 Speed 75.....	15-51	RT913.....	15-54, 15-56
5 Speed 650.....	15-51	RT915.....	15-54, 15-56
5 Speed 740.....	15-51	RT1110.....	15-53, 15-55
5 Speed 1120.....	15-52	RT1213.....	15-57
5 Speed 1220.....	15-52	RT6609.....	15-52, 15-53
10 Speed 65.....	15-52	RT6610.....	15-52, 15-53
10 Speed 650.....	15-52	RT6613.....	15-54, 15-55
10 Speed 1120.....	15-52	RT7608LL.....	15-54, 15-55
15 Speed 1120.....	15-52	RT8608L.....	15-54, 15-55
11600.....	15-55	RT8609.....	15-52, 15-53
AT1202 (IN)	15-58	RT8908LL.....	15-58
AT1202 (OUT).....	15-57	RT9109.....	15-54, 15-55
CL450.....	15-51	RT9508.....	15-54, 15-56
CL550.....	15-51	RT9509.....	15-54, 15-56
FS3005.....	15-51	RT9513.....	15-54, 15-56
FS4005.....	15-51	RT11109-ATR.....	15-53, 15-55
FS5005.....	15-51	RT11109-ATS.....	15-57
FS5106.....	15-53	RT11209.....	15-57
FS5106A.....	15-52	RT11210.....	15-57
FS6005.....	15-52	RT11509.....	15-53, 15-55
FS6105.....	15-52, 15-53	RT11608.....	15-53, 15-55
FS6106.....	15-52	RT11609.....	15-53, 15-55
FS6206A.....	15-52	RT11610.....	15-53, 15-55
FS7206A.....	15-52	RT11613.....	15-53, 15-55
FS8109A.....	15-52, 15-53	RT11615.....	15-53, 15-55

FULLER TRANSMISSIONS

INDEX

	Page		Page
RT11709	15-53, 15-55	RTL014618A.....	15-58
RT11710	15-53, 15-55	RTL016618A.....	15-58
RT11715	15-53, 15-55	RTLX12713A.....	15-54, 15-56
RT12109	15-54, 15-55	RTLX14713A.....	15-58
RT12209	15-57	RTLX14718B.....	15-58
RT12210	15-57	RTLX16718B.....	15-58
RT12509	15-57, 15-58	RT0958LL.....	15-54, 15-56
RT12510	15-57	RT01157.....	15-58
RT12513	15-57	RT01258LL.....	15-58
RT12609	15-54, 15-55	RT02008.....	15-58
RT12610	15-54, 15-55	RT011209.....	15-57
RT12709	15-54, 15-55	RT011210.....	15-57
RT12710	15-54, 15-55	RT011607.....	15-58
RT13209	15-57	RT011607L.....	15-58
RT13210	15-57	RT011607LL.....	15-58
RT13609	15-54, 15-55	RT011608LL.....	15-54, 15-56
RT13709	15-54, 15-55	RT011618.....	15-54, 15-56
RT13710	15-54, 15-55	RT011707LL.....	15-58
RT14109	15-57	RT011708LL.....	15-54, 15-56
RT14209	15-58	RT011908LL.....	15-58
RT14210	15-58	RT011909MLL.....	15-58
RT14608	15-57, 15-58	RT012209.....	15-57
RT14609	15-57	RT012210.....	15-57
RT14610	15-57	RT013209.....	15-57
RT14610B.....	15-57	RT013210.....	15-57
RT14613	15-57	RT014209.....	15-58
RT14615	15-57	RT014210.....	15-58
RT14709	15-57	RT014608LL.....	15-58
RT14710	15-57	RT014708LL.....	15-58
RT14715	15-57	RT014908LL.....	15-58
RT14915	15-58	RT014909MLL.....	15-58
RT15610B.....	15-57	RRT014915	15-58
RT15613	15-57, 15-58	RT015210.....	15-58
RT15615	15-57	RT015618.....	15-58
RT15715	15-57	RT016210.....	15-58
RT16610B.....	15-57	RT016908LL.....	15-59
RTA014710B	15-57	RT016915.....	15-59
RTE12609	15-54, 15-56	RTT12609	15-54, 15-56
RTL01210A.....	15-54, 15-56	T905.....	15-53
RTL01410A.....	15-57	T955.....	15-54, 15-55, 15-56
RTL012610B.....	15-54, 15-56	T1056AA	15-54, 15-56
RTL012613B.....	15-54, 15-56	T1106.....	15-54, 15-56
RTL013610B.....	15-54, 15-56	T-8607	15-53
RTL014613B.....	15-58		

(C) Cast Version
(FUI) Forward Unit Input
(FUO) Forward Unit Output
(RUI) Rear Unit Input

U.S. 888-725-9355
Canada 800-387-3889

MeritorPartsOnline.com

15-51

FULLER TRANSMISSIONS

INDEX

	Page
T11605.....	15-52, 15-53
T11606.....	15-54, 15-56
T11607.....	15-54, 15-56
T14607.....	15-56, 15-57
TA4510.....	15-54, 15-56

FULLER TRANSMISSIONS

Model	Spline Size Dia. - Tooth Count	Spline Length	Hub Dia.	Center to End	Yoke Type	Comments	Part Number
CL450 FS3005 FS4005	1.75" - 10	2.00"	2.50"	5.06"	Round Bearing	With 9"x 3"brake	141TYSB28-20X
				3.50"	Comp.Flange		148N-1-6081X
				5.06"	Round Bearing		148TYSB28-7
				6.00"	Round Bearing		148TYSB28-9A
				5.98"	Round Bearing		155TYSB28-13A
				6.42"	Round Bearing		155TYSB28-38A
				6.73"	Round Bearing		16TYSB28-58A
CL450 FS3005 FS4005	1.75" - 10	2.00"	2.50"	5.30"	Wing Bearing	Without brake	58WBYS28-154
				3.63"	Easy Service		141TYS28-18
				4.00"	Easy Service		148DYS28-16
				4.00"	Easy Service		148TYS28-16
				4.57"	Full Round		16NYS28-45
				3.81"	Wing Bearing		58WBYS28-218
				CL550 FS5005	1.75" - 10		2.25"
4.28"	Easy Service	155TYS28-8					
7.69"	Round Bearing	155TYSB31-7					
7.69"	Round Bearing	155TYSB31-7A					
4.12"	Full Round	16N-4-1051					
4.13"	Easy Service	16TYS28-20					
8.00"	Round Bearing	16TYSB31-20					
8.00"	Round Bearing	16TYSB31-20A					
4.25"	Wing Bearing	58WBYS28-54					
4.81"	Comp.Flange	5WCS28-67					
3.50"	Wing Bearing	72NYS28-18					
CL550 FS5005	1.97" - 10	2.80"	2.75"	5.00"	Easy Service		155TYS31-6
				5.28"	Easy Service		16TYS31-16
				5.75"	Easy Service		17TYS31-62
				4.81"	Comp.Flange		5WCS31-24
				4.81"	Comp.Flange		5WCS31-26
2 Speed 62 (OUT)	2.00" - 10	3.00"	3.25"	4.81"	Full Round		17N-4-2131
3 Speed 62 (IN)							
3 Speed 65 (IN)							
5 Speed 65							
5 Speed 650							
5 Speed 74							
5 Speed 740							
5 Speed 75							
5-C-72							
5-C-720							

(C) Cast Version
(FUI) Forward Unit Input
(FUO) Forward Unit Output
(RUI) Rear Unit Input

U.S. 888-725-9355
Canada 800-387-3889

MeritorPartsOnline.com

15-53

FULLER TRANSMISSIONS

Model	Spline Size Dia. - Tooth Count	Spline Length	Hub Dia.	Center to End	Yoke Type	Comments	Part Number
				4.03"	Easy Service		148TYS32-5
				4.03"	Easy Service		155DYS32-7
				7.56"	Round Bearing		155TYSB32-26
				7.56"	Round Bearing		155TYSB32-26A
				4.00"	Full Round		16N-4-6321
FS5106A				4.50"	Easy Service		16TYS32-61
FS6005				7.87"	Round Bearing		16TYSB32-72
FS6105	2.00" - 38	2.13"	2.75"	7.87"	Round Bearing		16TYSB32-72A
FS6106				5.63"	Full Round		176NYS32-6
FS6206A				5.25"	Full Round		17N-4-7301
FS7206A				5.25"	Easy Service		17TYS32-66 (C)
				5.25"	Easy Service		17TYS32-73
				7.97"	Round Bearing		17TYSB32-84
				7.97"	Round Bearing		17TYSB32-84A
				3.94"	Wing Bearing		58WBYS32-44
				4.13"	Wing Bearing		72NYS32-250

10 Speed 1120							
10 Speed 65							
10 Speed 650							
15 Speed 1120							
2 Speed 92							
3 Speed 65 (OUT)							
3 Speed 92							
4 Speed 75				5.50"	Full Round		16N-4-3321
4-A-112				5.50"	Easy Service		16N-4-3321-1
4-A-86				5.75"	Full Round		16N-4-4961
4-A-860				5.65"	Full Round		176N-4-701
5 Speed 1120				5.65"	Easy Service		176N-4-761-1X
5 Speed 1220	2.25" - 10	3.00"	3.50"	5.25"	Full Round		17N-4-2141
FS8109A				5.25"	Full Round		17N-4-6861
MT11605 (OUT)				5.25"	Easy Service		17N-4-6901-1X
MT905 (OUT)				5.84"	Easy Service		18N-4-2021-1
R1150				3.63"	Comp.Flange		3WCS36-25
R1160				3.63"	Comp.Flange		3WCS36-3
R96				3.69"	Comp.Flange		5WCS36-112
R960							
RT510							
RT610							
RT6609							
RT6610							
RT8609							
T11605							

FULLER TRANSMISSIONS

Model	Spline Size Dia. - Tooth Count	Spline Length	Hub Dia.	Center to End	Yoke Type	Comments	Part Number			
T905	2.25" - 10	3.00"	3.50"	5.50"	Full Round		16N-4-3321			
				5.50"	Easy Service		16N-4-3321-1			
				5.75"	Full Round		16N-4-4961			
				5.65"	Full Round		176N-4-701			
				5.65"	Easy Service		176N-4-761-1X			
				5.25"	Full Round		17N-4-2141			
				5.25"	Full Round		17N-4-6861			
				5.25"	Easy Service		17N-4-6901-1X			
				5.84"	Easy Service		18N-4-2021-1			
				3.63"	Comp.Flange		3WCS36-25			
				3.63"	Comp.Flange		3WCS36-3			
3.69"	Comp.Flange		5WCS36-112							
FS8109A	2.25" - 10	3.00"	3.75"	5.75"	Easy Service		16TYS36-11A			
MT11605 (OUT)				5.65"	Easy Service		176N-4-1101-1X			
RT6609				5.25"	Full Round		17NYS36-48A			
RT6610				5.25"	Easy Service		17TYS36-48A (C)			
RT8609				5.25"	Easy Service		17TYS36-55A			
T11605				5.84"	Easy Service		18TYS36-15A			
				4.84"	Wing Bearing		92NYS36-68A			
				5.75"	Easy Service		16TYS38-22A			
				5.65"	Easy Service		176N-4-901-1X			
FS5106				2.34" - 45	3.00"	3.75"	5.65"	Full Round		176N-4-901X
FS6105							5.75"	Full Round		17N-4-7271X
FS8206	5.75"	Easy Service					17TYS38-50A (C)			
T-8607	5.75"	Easy Service					17TYS38-64A			
	3.69"	Comp.Flange					5WCS38-28A			
	3.69"	Comp.Flange					5WCS38-29A			
MRT11609 (OUT)	2.50" - 10	3.00"	2.94"							
MRT11610 (OUT)										
MRT11613 (OUT)										
MRT11615 (OUT)										
RT1110										
RT11109-ATR							5.88"	Full Round	18N-4-1961	
RT11509							4.44"	Wing Bearing	72NYS40-99	
RT11608							4.44"	Wing Bearing	72NYS40-99A	
RT11609							4.75"	Wing Bearing	82NYS40-28	
RT11610										
RT11613										
RT11615										
RT11709										
RT11710										
RT11715										

(C) Cast Version
(FUI) Forward Unit Input
(FUO) Forward Unit Output
(RUI) Rear Unit Input

U.S. 888-725-9355
Canada 800-387-3889

MeritorPartsOnline.com

15-55

FULLER TRANSMISSIONS

Model	Spline Size Dia. - Tooth Count	Spline Length	Hub Dia.	Center to End	Yoke Type	Comments	Part Number
RT12109							
RT12609							
RT12610							
RT12709							
RT12710							
RT13609							
RT13709							
RT13710							
RT613							
RT6613							
RT7608LL							
RT8608L							
RT906							
RT909							
RT910							
RT9109							
RT913							
RT915				5.88"	Full Round		18N-4-1961
RT9508	2.50" - 10	3.00"	2.94"	4.44"	Wing Bearing		72NYS40-99
RT9509				4.44"	Wing Bearing		72NYS40-99A
RT9513				4.75"	Wing Bearing		82NYS40-28
RTE12609							
RTL01210A							
RTL012610B							
RTL012613B							
RTL013610B							
RTLX12713A							
RT011608LL							
RT011618							
RT011708LL							
RT0958LL							
RTT12609							
T1056AA							
T1106							
T11606							
T11607							
T955							
TA4510							

FULLER TRANSMISSIONS

Model	Spline Size Dia. - Tooth Count	Spline Length	Hub Dia.	Center to End	Yoke Type	Comments	Part Number
11600							
RT11608							
RT11610							
RT11613							
RT11615							
RT11709	2.50" - 10	3.00"	3.75"	5.15"	RPL		20WYS40-2A
RT11710				5.15"	RPL		25WYS40-2A
RT11715							
RT6613							
RT909							
T955							
MRT11609 (OUT)							
MRT11610 (OUT)							
MRT11613 (OUT)							
MRT11615 (OUT)							
RT1110							
RT11109-ATR							
RT11509				6.12"	Full Round		16N-4-4971
RT11608				6.12"	Easy Service		16N-4-4971-1
RT11609				6.03"	Full Round		176N-4-781X
RT11610				6.03"	Easy Service		176TYS40-14A
RT11613				5.63"	Full Round		17N-4-3611
RT11615				5.63"	Easy Service		17N-4-3611-1
RT11709				5.63"	Full Round		17N-4-6921X
RT11710				5.63"	Easy Service		17TYS40-125A (C)
RT11715				5.63"	Easy Service		17TYS40-144A
RT12109	2.50" - 10	3.00"	3.75"	5.63"	Easy Service		17TYS40-9 (C)
RT12609				5.88"	Easy Service		18N-4-3551-1X
RT12610				5.88"	Full Round		18N-4-3551X
RT12709				3.63"	Comp.Flange		5WCS40-40
RT12710				3.63"	Comp.Flange		5WCS40-40A
RT13609				3.63"	Comp.Flange		5WCS40-41
RT13709				3.63"	Comp.Flange		5WCS40-41A
RT13710				4.31"	Wing Bearing		85WBYS40-34
RT613				4.31"	Wing Bearing		85WBYS40-34A
RT6613				4.25"	Wing Bearing		92NYS40-40A
RT7608LL							
RT8608L							
RT906							
RT909							
RT910							
RT9109							

(C) Cast Version
(FUI) Forward Unit Input
(FUO) Forward Unit Output
(RUI) Rear Unit Input

U.S. 888-725-9355
Canada 800-387-3889

MeritorPartsOnline.com

15-57

FULLER TRANSMISSIONS

Model	Spline Size Dia. - Tooth Count	Spline Length	Hub Dia.	Center to End	Yoke Type	Comments	Part Number
RT913							
RT915				6.12"	Full Round		16N-4-4971
RT9508				6.12"	Easy Service		16N-4-4971-1
RT9509				6.03"	Full Round		176N-4-781X
RT9513				6.03"	Easy Service		176TYS40-14A
RTE12609				5.63"	Full Round		17N-4-3611
RTL01210A				5.63"	Easy Service		17N-4-3611-1
RTL012610B				5.63"	Full Round		17N-4-6921X
RTL012613B				5.63"	Easy Service		17TYS40-125A (C)
RTL013610B				5.63"	Easy Service		17TYS40-144A
RTLX12713A	2.50" - 10	3.00"	3.75"	5.63"	Easy Service		17TYS40-9 (C)
RTO11608LL				5.88"	Easy Service		18N-4-3551-1X
RTO11618				5.88"	Full Round		18N-4-3551X
RTO11708LL				3.63"	Comp.Flange		5WCS40-40
RTO958LL				3.63"	Comp.Flange		5WCS40-40A
RTT12609				3.63"	Comp.Flange		5WCS40-41
T1056AA				3.63"	Comp.Flange		5WCS40-41A
T1106				4.31"	Wing Bearing		85WBYS40-34
T11606				4.31"	Wing Bearing		85WBYS40-34A
T11607				4.25"	Wing Bearing		92NYS40-40A
T955							
TA4510							
				6.03"	Easy Service		176N-4-771-1X
				6.03"	Full Round		176N-4-771X
				5.63"	Full Round		17N-4-7041X
				5.63"	Easy Service		17TYS40-131A (C)
T14607	2.50" - 49	3.00"	3.75"	5.63"	Easy Service		17TYS40-143A
				5.88"	Easy Service		18N-4-3621-1X
				5.88"	Full Round		18N-4-3621X
				3.63"	Comp.Flange		5WCS40-42A
				3.63"	Comp.Flange		5WCS40-43A
				4.63"	Wing Bearing		92NYS40-39A

FULLER TRANSMISSIONS

Model	Spline Size Dia. - Tooth Count	Spline Length	Hub Dia.	Center to End	Yoke Type	Comments	Part Number
RT11209							
RT11210							
RT12209							
RT12210							
RT13209							
RT13210	2.54" - 49	2.75"	3.75"	5.63"	RPL		20WYS40-3
RT011209				6.25"	RPL		25WYS40-3
RT011210							
RT012209							
RT012210							
RT013209							
RT013210							
T14607	2.54" - 49	3.00"	3.75"	5.15"	RPL		20WYS40-4A
				5.18"	RPL		25WYS40-4A
4-F-1440							
4-FS-1440							
4-MB-1440 (OUT)							
4-MS-1440 (OUT)							
AT1202 (OUT)							
R1550				5.97"	Full Round		176N-4-711
RT11109-ATS				5.97"	Easy Service		176N-4-711-1
RT1213				5.97"	Easy Service		176N-4-791-1X
RT12509				5.97"	Full Round		176N-4-791X
RT12510				5.75"	Full Round		17N-4-6821
RT12513				5.75"	Easy Service		17N-4-6821-1
RT14109				5.75"	Easy Service		17N-4-6931-1X
RT14608				5.75"	Full Round		17N-4-6931X
RT14609	2.75" - 10	3.00"	3.75"	5.75"	Easy Service		17TYS44-7A (C)
RT14610				6.06"	Full Round		18N-4-3491
RT14610B				6.06"	Easy Service		18N-4-3491-1
RT14613				6.06"	Easy Service		18N-4-3561-1X
RT14615				6.06"	Full Round		18N-4-3561X
RT14709				4.06"	Comp.Flange		5WCS44-3
RT14710				4.06"	Comp.Flange		5WCS44-3A
RT14715				4.50"	Wing Bearing		85WBYS44-1
RT15610B				4.50"	Wing Bearing		85WBYS44-1A
RT15613				4.84"	Wing Bearing		92NYS44-22A
RT15615							
RT15715							
RT16610B							
RTAO14710B							
RTLO1410A							

(C) Cast Version
(FUI) Forward Unit Input
(FUO) Forward Unit Output
(RUI) Rear Unit Input

U.S. 888-725-9355
Canada 800-387-3889

MeritorPartsOnline.com

15-59

FULLER TRANSMISSIONS

Model	Spline Size Dia. - Tooth Count	Spline Length	Hub Dia.	Center to End	Yoke Type	Comments	Part Number
				5.97"	Full Round		176N-4-711
RTL014613B				5.97"	Easy Service		176N-4-711-1
RTL014618A				5.97"	Easy Service		176N-4-791-1X
RTL016618A				5.97"	Full Round		176N-4-791X
RTLX14713A				5.75"	Full Round		17N-4-6821
RTLX14718B				5.75"	Easy Service		17N-4-6821-1
RTLX16718B				5.75"	Easy Service		17N-4-6931-1X
RT01157				5.75"	Full Round		17N-4-6931X
RT011607L	2.75" - 10	3.00"	3.75"	5.75"	Easy Service		17TYS44-7A (C)
RT011607LL				6.06"	Full Round		18N-4-3491
RT011707LL				6.06"	Easy Service		18N-4-3491-1
RT01258LL				6.06"	Easy Service		18N-4-3561-1X
RT014608LL				6.06"	Full Round		18N-4-3561X
RT014708LL				4.06"	Comp.Flange		5WCS44-3
RT015618				4.06"	Comp.Flange		5WCS44-3A
RT02008				4.50"	Wing Bearing		85WBYS44-1
				4.50"	Wing Bearing		85WBYS44-1A
				4.84"	Wing Bearing		92NYS44-22A
				5.97"	Easy Service		176N-4-721-1X
				5.97"	Full Round		176N-4-721X
				5.75"	Full Round		17N-4-6841X
AT1202 (IN)	2.75" - 10	3.00"	3.75"	5.75"	Easy Service		17TYS44-12A
				6.06"	Full Round		18N-4-3501X
				6.06"	Easy Service		18TYS44-3A
				4.84"	Wing Bearing		92NYS44-23A
RT12509							
RT14608	2.75" - 10	3.00"	3.75"	5.09"	RPL		20WYS44-2A
RT15613				5.09"	RPL		25WYS44-2A
RT011607							
RT14209							
RT14210							
RT14915							
RT8908LL							
RT011908LL				5.63"	Easy Service		17TYS45
RT011909MLL				5.63"	Full Round		18NYS45
RT014209	2.79" - 54	2.75"		5.63"	Easy Service		18TYS45
RT014210				5.25"	RPL		20WYS45
RT014908LL				5.88"	RPL		25WYS45
RT014909MLL							
RT014915							
RT015210							
RT016210							

FULLER TRANSMISSIONS

Model	Spline Size Dia. - Tooth Count	Spline Length	Hub Dia.	Center to End	Yoke Type	Comments	Part Number
RTO16908LL	2.79" - 54	2.75"		5.63"	RPL		17TYS45
				5.63"			18NYS45
RTO16915				5.25"			20WYS45
				5.88"			25WYS45

MERITOR TRANSMISSIONS

Model	Spline Size Dia. - Tooth Count	Spline Length	Hub Dia.	Center to End	Yoke Type	Part Number
RM-10-115						
RM-10-125						
RMO-10-115				6.03"	Full Round	176N-4-781X
RMO-10-125				6.03"	Easy Service	176TYS40-14A
RMO-10-135	2.50" - 10	3.00"	3.75"	5.88"	Easy Service	18N-4-3551-1X
RMO-9-115				5.88"	Full Round	18N-4-3551X
RMO-9-125				5.15"	RPL	20WYS40-2A
RMX-10-115				5.15"	RPL	25WYS40-2A
RMX-9-115						
RMX-9-125						

RM-10-135						
RM-10-145						
RM-13-145						
RM-9-135						
RM-9-145						
RM-9-155						
RMO-10-135						
RMO-10-145				5.97"	Easy Service	176N-4-791-1X
RMO-10-155				5.97"	Full Round	176N-4-791X
RMO-10-165				5.75"	Easy Service	17N-4-6931-1X
RMO-13-145				5.75"	Full Round	17N-4-6931X
RMO-9-135	2.75" - 10	3.00"	3.75"	6.06"	Easy Service	18N-4-3561-1X
RMO-9-145				6.06"	Full Round	18N-4-3561X
RMO-9-155				5.09"	RPL	20WYS44-2A
RMO-9-165				5.09"	RPL	25WYS44-2A
RMX-10-135				4.84"	Wing Bearing	92NYS44-22A
RMX-10-145						
RMX-10-155						
RMX-10-165						
RMX-13-145						
RMX-9-135						
RMX-9-145						
RMX-9-155						
RMX-9-165						

NEW PROCESS TRANSMISSIONS

Model	Spline Size Dia. - Tooth Count	Spline Length	Hub Dia.	Center to End	Yoke Type	Comments	Part Number
NP435 NP540 NP542	1.50" - 10	2.00"	2.13"	3.70"	Wing Bearing	Drilled	58WBYS24-7
NP435 NP540 NP542	1.50" - 10	2.00"	2.13"	3.75"	Wing Bearing	Threaded	58WBYS24
NP435 NP540 NP542	1.50" - 35	2.00"	2.13"	5.06" 4.13"	Easy Service Easy Service		141TYS24-6 155N-4-5381-1
D SPEC NP435 NP540 NP542	1.50" - 35	2.00"	2.50"	5.06" 5.06" 5.06" 5.06"	Round Bearing Easy Service Round Bearing Round Bearing	For GMC, GMT 455	141TYSB24-6A 148NYS24-7A 148NYSB24-7A 148TYSB24-4A
NP541	1.75" - 10	2.00"	2.50"	3.63" 4.00" 4.00" 4.57" 3.81"	Easy Service Easy Service Easy Service Full Round Wing Bearing	Without brake	141TYS28-18 148DYS28-16 148TYS28-16 16NYS28-45 58WBYS28-218

SPICER TRANSMISSIONS

INDEX

	Page		Page
1241 (IN)	15-65, 15-67	8553.....	15-66
1241C (OUT).....	15-68	8554.....	15-66
1241D (OUT).....	15-68	8555.....	15-66
5105B	15-65	8716.....	15-66
5106.....	15-65	8742.....	15-66
6041 (IN and OUT).....	15-64	8744.....	15-66
6105A	15-65	8753.....	15-66
6105B	15-65	8755.....	15-66
6231 (IN and OUT).....	15-64	CL550	15-64
6241.....	15-64	CM50	15-64
6440.....	15-64	CM55	15-65
7016.....	15-65	CM5552C.....	15-65
7041 (IN)	15-64	CM5552D.....	15-65
7041 (OUT).....	15-65	CM5852A.....	15-65
7216.....	15-65	CM60	15-64
7231 (IN and OUT).....	15-64	FS5005.....	15-64
738 (IN and OUT).....	15-65	FS5106A	15-65
8012.....	15-65	FS6005.....	15-65
8016.....	15-65	FS6105.....	15-65
8031 (IN and OUT).....	15-65	FS6106.....	15-65
8035.....	15-65	FS6206A	15-65
8041.....	15-65	FS7206A	15-65
8045.....	15-65	P1241C (OUT).....	15-68
8051.....	15-65	P1241D (OUT)	15-68
8052.....	15-65	PS125-7B.....	15-67
8054.....	15-65	PS140-7A.....	15-67
8055.....	15-65	PS97-7A.....	15-67
8212.....	15-65	SP5000	15-64
8216.....	15-65	SP5052	15-64
8245.....	15-65	SP5252	15-64
8251.....	15-65	SP5652	15-64
8252.....	15-65	SP5662	15-64
8255.....	15-65	SP5752	15-64
8341 (IN)	15-66	SP5753	15-64
8341 (OUT).....	15-65	SP5756	15-64
8345 (IN)	15-66	SP5852	15-64
8345 (OUT).....	15-65	SP5853	15-64
8440.....	15-65	SP6000	15-64
8445.....	15-65	SP6052	15-64
8512.....	15-65	SP6252	15-64
8516.....	15-65	SP6253	15-64
8542.....	15-66	SP6352	15-64
8545.....	15-66	SP6452	15-64

SPICER TRANSMISSIONS

INDEX

	Page		Page
SP6453	15-64	SST1372	15-66, 15-67
SP6852	15-64		15-68
SP6853	15-64	SST1412	15-66, 15-67
SP7000	15-64		15-68
SP7352	15-64	SST1414	15-66, 15-67
SP7452	15-64		15-68
SP7453	15-64	SST1420-3A.....	15-66, 15-67
SP8000	15-66		15-68
SST1006	15-66, 15-67	SST1452	15-66, 15-67
	15-68		15-68
SST1007	15-66, 15-67	SST1453	15-66, 15-68
	15-68	SST1463	15-66, 15-68
SST1010	15-67	SST9072	15-66, 15-68
SST1020	15-66, 15-67		
	15-68		
SST1052	15-67		
SST1062	15-67		
SST1064	15-67		
SST1207	15-66, 15-67		
	15-68		
SST1211	15-66, 15-67		
SST1211	15-68		
SST1212	15-66, 15-67		
	15-68		
SST1214	15-66, 15-67		
	15-68		
SST1252	15-67		
SST1253	15-67		
SST1254	15-67		
SST1262	15-67		
SST1263	15-67		
SST1264	15-67		
SST1265	15-67		
SST1272	15-66, 15-67		
	15-68		
SST1274-A.....	15-66, 15-67		
	15-68		
SST1310	15-66, 15-67		
	15-68		
SST1352	15-66, 15-67		
	15-68		
SST1362	15-66, 15-67		
	15-68		

(C) Cast Version
(FUI) Forward Unit Input
(FUO) Forward Unit Output
(RUI) Rear Unit Input

U.S. 888-725-9355
Canada 800-387-3889

MeritorPartsOnline.com

15-65

SPICER TRANSMISSIONS

Model	Spline Size Dia. - Tooth Count	Spline Length	Hub Dia.	Center to End	Yoke Type	Part Number
CL550						
CM50				4.19"	Easy Service	155N-4-2511
FS5005				4.28"	Easy Service	155TYS28-8
SP5000				7.69"	Round Bearing	155TYSB31-7
SP5052				7.69"	Round Bearing	155TYSB31-7A
SP5252				4.12"	Full Round	16N-4-1051
SP5652	1.75" - 10	2.25"	2.50"	4.13"	Easy Service	16TYS28-20
SP5662				8.00"	Round Bearing	16TYSB31-20
SP5752				8.00"	Round Bearing	16TYSB31-20A
SP5753				4.25"	Wing Bearing	58WBYS28-54
SP5756				4.81"	Comp.Flange	5WCS28-67
SP5852				3.50"	Wing Bearing	72NYS28-18
SP5853						

6041 (IN and OUT)
6231 (IN and OUT)
6241
6440
7041 (IN)
7231 (IN and OUT)

6241	1.97" - 6	3.00"	2.75"	5.00"	Full Round	16N-4-1431
6440				5.19"	Full Round	17N-4-3191

CM60						
SP6000						
SP6052						
SP6252				5.19"	Full Round	16NYS32-49
SP6253				5.19"	Easy Service	16TYS32-49
SP6352				5.25"	Full Round	17NYS32-21
SP6452				5.25"	Easy Service	17TYS32-21 (C)
SP6453	2.00" - 10	3.00"	2.75"	5.25"	Easy Service	17TYS32-75
SP6852				4.63"	Wing Bearing	58WBYS32-39
SP6853				4.63"	Wing Bearing	72NYS32-157
SP7000				4.25"	Wing Bearing	72NYS32-172
SP7352						
SP7452						
SP7453						

SPICER TRANSMISSIONS

Model	Spline Size Dia. - Tooth Count	Spline Length	Hub Dia.	Center to End	Yoke Type	Part Number
5105B				4.03"	Easy Service	148TYS32-5
5106				4.03"	Easy Service	155DYS32-7
6105A				7.56"	Round Bearing	155TYSB32-26
6105B				7.56"	Round Bearing	155TYSB32-26A
CM55				4.00"	Full Round	16N-4-6321
CM5552C				4.50"	Easy Service	16TYS32-61
CM5552D				7.87"	Round Bearing	16TYSB32-72
CM5852A	2.00" - 38	2.13"	2.75"	7.87"	Round Bearing	16TYSB32-72A
FS5106A				5.63"	Full Round	176NYS32-6
FS6005				5.25"	Full Round	17N-4-7301
FS6105				5.25"	Easy Service	17TYS32-66 (C)
FS6106				5.25"	Easy Service	17TYS32-73
FS6206A				7.97"	Round Bearing	17TYSB32-84
FS7206A				7.97"	Round Bearing	17TYSB32-84A
				3.94"	Wing Bearing	58WBYS32-44
				4.13"	Wing Bearing	72NYS32-250

1241 (IN)						
7016						
7041 (OUT)						
7216						
738 (IN and OUT)						
8012						
8016						
8031 (IN and OUT)						
8035				5.72"	Full Round	16N-4-4741
8041				6.00"	Easy Service	176TYS36-2
8045				5.31"	Full Round	17N-4-3031
8051				5.31"	Easy Service	17N-4-3031-1
8052				5.31"	Easy Service	17TYS36-4 (C)
8054	2.22" - 6	3.25"	3.00"	6.00"	Full Round	18N-4-1971
8055				6.00"	Easy Service	18N-4-1971-1
8212				4.69"	Wing Bearing	72NYS36-51
8216				4.50"	Wing Bearing	82NYS36-63
8245				5.17"	Wing Bearing	92NYS36-41
8251						
8252						
8255						
8341 (OUT)						
8345 (OUT)						
8440						
8445						
8512						
8516						

(C) Cast Version
 (FUI) Forward Unit Input
 (FUO) Forward Unit Output
 (RUI) Rear Unit Input

U.S. 888-725-9355
 Canada 800-387-3889

MeritorPartsOnline.com

15-67

SPICER TRANSMISSIONS

Model	Spline Size Dia. - Tooth Count	Spline Length	Hub Dia.	Center to End	Yoke Type	Part Number
8542				5.72"	Full Round	
8545				6.00"	Easy Service	16N-4-4741
8553				5.31"	Full Round	176TYS36-2
8554				5.31"	Easy Service	17N-4-3031
8555				5.31"	Easy Service	17N-4-3031-1
8716	2.22" - 6	3.25"	3.00"	5.31"	Easy Service	17TYS36-4 (C)
8742				6.00"	Full Round	18N-4-1971
8744				6.00"	Easy Service	18N-4-1971-1
8753				4.69"	Wing Bearing	72NYS36-51
8755				4.50"	Wing Bearing	82NYS36-63
SP8000				5.17"	Wing Bearing	92NYS36-41
8341 (IN)	2.22" - 6	3.25"	3.00"	6.00"	Full Round	176N-4-171X
8345 (IN)				6.00"	Easy Service	176TYS36-2A
				5.31"	Full Round	17N-4-3041X
				5.31"	Easy Service	17TYS36-54A
SST1006						
SST1007						
SST1020						
SST1207						
SST1211						
SST1212						
SST1214						
SST1272						
SST1274-A						
SST1310	2.25" - 10	2.25"	3.12"	5.25"	Easy Service	176N-4-41-1
SST1352						
SST1362						
SST1372						
SST1412						
SST1414						
SST1420-3A						
SST1452						
SST1453						
SST1463						
SST9072						

SPICER TRANSMISSIONS

Model	Spline Size Dia. - Tooth Count	Spline Length	Hub Dia.	Center to End	Yoke Type	Part Number
SST1010						
SST1052						
SST1062						
SST1064						
SST1252				5.19"	Full Round	17N-4-5341
SST1253	2.34" - 16	2.75"	2.81"	5.56"	Full Round	18N-4-3011
SST1254				4.19"	Wing Bearing	92NYS38-45
SST1262						
SST1263						
SST1264						
SST1265						
				5.56"	Full Round	176N-4-1251
				5.56"	Easy Service	176N-4-1251-1
PS125-7B				5.19"	Full Round	17N-4-7691
PS140-7A	2.50" - 49	2.75"	3.06"	5.19"	Easy Service	17N-4-7691-1
PS97-7A				5.56"	Full Round	18N-4-3821
				5.56"	Easy Service	18N-4-3821-1
				4.25"	Wing Bearing	92NYS40-41
				5.56"	Easy Service	176N-4-871-1X
				5.56"	Full Round	176N-4-871X
				5.19"	Full Round	17N-4-7071X
1241 (IN)	2.63" - 20	2.75"	3.00"	5.19"	Easy Service	17TYS42-5A
				5.56"	Full Round	18N-4-3541
				5.56"	Easy Service	18N-4-3541-1X
				4.25"	Wing Bearing	92NYS42-18
				4.25"	Wing Bearing	92NYS42-18A
SST1006						
SST1007						
SST1020						
SST1207						
SST1211						
SST1212						
SST1214						
SST1272						
SST1274-A	2.63" - 20	2.75"	3.00"	5.56"	Full Round	176N-4-41
SST1310				5.56"	Full Round	18N-4-3021
SST1352						
SST1362						
SST1372						
SST1412						
SST1414						
SST1420-3A						
SST1452						

(C) Cast Version
(FUI) Forward Unit Input
(FUO) Forward Unit Output
(RUI) Rear Unit Input

U.S. 888-725-9355
Canada 800-387-3889

MeritorPartsOnline.com

15-69

SPICER TRANSMISSIONS

Model	Spline Size Dia. - Tooth Count	Spline Length	Hub Dia.	Center to End	Yoke Type	Part Number
SST1453				5.56"	Full Round	176N-4-41
SST1463	2.63" - 20	2.75"	3.00"	5.56"	Full Round	18N-4-3021
SST9072						
SST1006						
SST1007						
SST1020						
SST1207						
SST1211						
SST1212						
SST1214						
SST1272				5.56"	Easy Service	16TYS42
SST1274-A				5.19"	Full Round	17N-4-5351
SST1310	2.63" - 20	2.75"	3.75"	5.19"	Easy Service	17TYS42-1 (C)
SST1352				5.19"	Easy Service	17TYS42-4
SST1362				5.56"	Easy Service	18N-4-3031-1
SST1372				4.25"	Wing Bearing	92NYS42-14
SST1412						
SST1414						
SST1420-3A						
SST1452						
SST1453						
SST1463						
SST9072						
				6.00"	Full Round	176N-4-61
				6.00"	Easy Service	176N-4-61-1
1241C (OUT)				5.31"	Full Round	17N-4-4651
1241D (OUT)				5.31"	Easy Service	17TYS44-11
P1241C (OUT)	2.75" - 10	2.94"	3.38"	5.31"	Easy Service	17TYS44-5 (C)
P1241D (OUT)				6.00"	Full Round	18N-4-2171
				6.00"	Easy Service	18N-4-2171-1
				4.38"	Wing Bearing	92NYS44-18

SECTION 16

INDEX

Tech Tips	Page
Decimal and Millimeter Equivalents.....	16-1
Driveline Series Information Chart	16-2
Yoke Identification Chart.....	16-3
Driveline Tips I –Tolerances	16-4
Driveline Tips II –Torque.....	16-5
Driveline Tips III – Angles & Vibrations	16-6
Driveline Tips IV – Failure Analysis	16-7
Driveline Tips V – Hints on Driveline Setup	16-8

MERITOR® ONLINE TRAINING



Courses Specifically for the Busy Professional

- **Component Identification**
- **Diagnostics**
- **Repair Procedures**
- **and more!**

MeritorBullPen.com

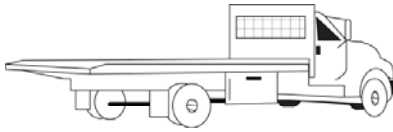
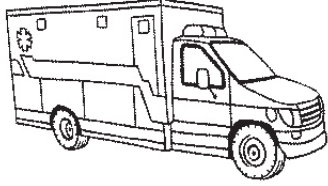


DECIMAL AND MILLIMETER EQUIVALENTS

INCH	INCH	MM	INCH	INCH	MM
1/64	.0156	.397	33/64	.5156	13.097
1/32	.0313	.794	17/32	.5313	13.494
3/64	.0469	1.191	35/64	.5469	13.890
1/16	.0625	1.587	9/16	.5625	14.287
5/64	.0781	1.984	37/64	.5781	14.684
3/32	.0938	2.381	19/32	.5938	15.081
7/64	.1094	2.778	39/64	.6094	15.478
1/8	.125	3.175	5/8	.625	15.875
9/64	.1406	3.572	41/64	.6406	16.272
5/32	.1563	3.969	21/32	.6563	16.669
11/64	.1719	4.366	43/64	.6719	17.065
3/16	.1875	4.762	11/16	.6875	17.462
13/64	.2031	5.159	45/64	.7031	17.859
7/32	.2188	5.556	23/32	.7188	18.265
15/64	.2344	5.953	47/64	.7344	18.653
1/4	.25	6.350	3/4	.75	19.050
17/64	.2656	6.747	49/64	.7656	19.447
9/32	.2813	7.144	25/32	.7813	19.884
19/64	.2969	7.541	51/64	.7969	20.240
5/16	.3125	7.937	13/16	.8125	20.637
21/64	.3281	8.334	53/64	.8281	21.034
11/32	.3438	8.731	27/32	.8438	21.431
23/64	.3594	9.128	55/64	.8594	21.828
3/8	.375	9.525	7/8	.875	22.225
25/64	.3906	9.922	57/64	.8906	22.622
13/32	.4063	10.319	29/32	.9063	23.019
27/64	.4219	10.716	59/64	.9219	23.415
7/16	.4375	11.113	15/16	.9375	23.812
29/64	.4531	11.509	61/64	.9531	24.209
15/32	.4688	11.906	31/32	.9688	24.606
31/64	.4844	12.303	63/64	.9844	25.003
1/2	.5	12.700	1	1.000	25.400

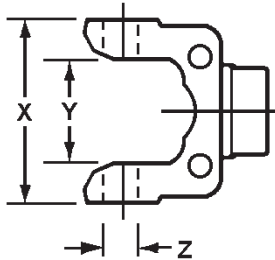
DRIVELINE SERIES INFORMATION CHART

SERIES	PRODUCT LINE	APPLICATION
L6	Steering	- Medium/Heavy Truck - Off-Highway
L15	Marine	- Inboard/Outboard Drives
121N 131N 133N 135N	Light/Medium Truck	- Components - Assemblies
141N 148N 155N	Medium Truck	- Class 5 & 6 - Off-Highway - Flange/Drum Components - Components - Assemblies
10N	Heavy Truck	- Components - Assemblies
16N 17N 176N 18N	Heavy Truck	- Class 7 & 8 - Off-Highway - Easy Service and Round - Components - Assemblies
58WB 85WB 62N 72N 82N 92N	Wing Style	- Off-Highway - Construction - Heavy Truck - Components - Assemblies
750N 850N 950N	Axle Shafts	- Military - Off-Highway - Construction
WCS	Companion Flange	- Military - Off-Highway - Construction
CB CP	Center Bearings Center Parts Kits	- Medium Truck thru Off-Highway - All Above Series
RPL	Heavy Truck	- Components - Assemblies

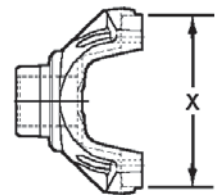
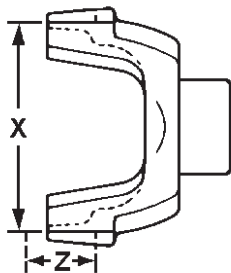


YOKE IDENTIFICATION

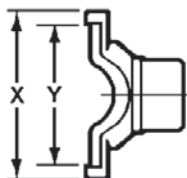
ROUND BEARING	ACROSS EARWORK (X)	BETWEEN EARWORK (Y)	BEARING DIAMETER (Z)	SERIES	TYPE
		1.44"	.97"	L6N	
	2.19"		.94"	10N	
		2.38"	1.06"	131N	ISR
	3.47"		1.06"	131N	OSR
		2.56"	1.19"	135N	ISR
	3.88"		1.19"	135N	OSR
	3.13"	1.19"	1.41N	ISR	
	4.44"		1.19"	141N	OSR
		3.13"	1.38"	148N	ISR
	4.44"		1.38"	148N	OSR
	4.19"		1.38"	148N	BRG. ST.
	5.25"		1.38"	155N	OSR
	4.97"		1.38"	155N	BRG. ST.
	5.31"		1.88"	16N	
	6.09"		1.94"	17N	
	7.00"		1.94"	176N	
	7.55"		1.94"	18N	
	5.19"		1.63"	750N	
	6.06"		1.94"	850N	
	7.89"		2.50"	950N	
	7.00"		2.06"	20RPL	
	8.33"		2.06"	25RPL	



U-BOLT AND STRAP & BOLT	BETWEEN LUGS (X)	BEARING DIM. (Z)	SERIES	RPL DRIVELINE
	3.22"	1.06"	131N	
	3.63"	1.06"	133N	
	3.63"	1.19"	135N	
	4.19"	1.19"	141N	
	4.19"	1.38"	148N	
	4.97"	1.38"	155N	
	5.31"	1.88"	16N	
	6.19"	1.94"	17N	
	7.09"	1.94"	176N	
	7.63"	1.94"	18N	
				7.06" 20WYS
				8.38" 25WYS



WING BEARING	SWING DIA. (X)	PILOT DIA. (Y)	SERIES
	5.63"	5.31"	58WB
	5.84"	5.53"	62N
	6.22"	5.84"	72N
	6.88"	6.50"	85WB
	8.50"	8.13"	82N
	8.63"	8.25"	92N



ISR - Inside Snap Ring

OSR - Outside Snap Ring

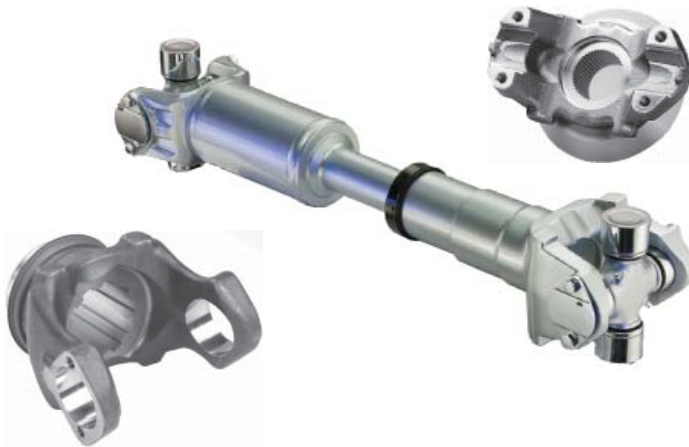
BRG. ST. - Bearing Strap



DRIVELINE TIPS I

TOLERANCES

1. Check for excess tolerances before lubing application. Lube may mask, or hide excessive play and tolerances.
2. U-Joint maximum end play is .006. More than that will result in failure.
3. Slip movement, up and down, maximum allowance is .017. More than that will result in failure.
4. Dents, missing weights, dirt and foreign material buildup on shaft, can cause vibration and balance issues, resulting in failure that can also cause damage to transmission and axle.
5. Center Bearings, new self aligning style, has gold colored collar, without deflectors. Self align style became available in 2002 and will allow + / -5° angle deflection.
6. Driveshaft standard slip application has splines that face the power source and end yoke.
7. Driveshaft outboard slip assembly has splines that face toward rear of application.
8. Phasing - mark slip position with paint stripe during disassembly to make sure that you reassemble in same position and phasing to avoid timing and vibration issues.
9. Lubrication Basic Procedures:
 - U-joints - make sure that grease purges at all four seals to ensure that old grease does not contaminate new grease resulting in potential chemical incompatibility.
 - Slip Splines - 6 to 8 pumps from grease gun is acceptable.
10. Refer to Maintenance Manual MM-96147 on Literature on Demand at meritor.com for additional information regarding torque specifications and troubleshooting information.

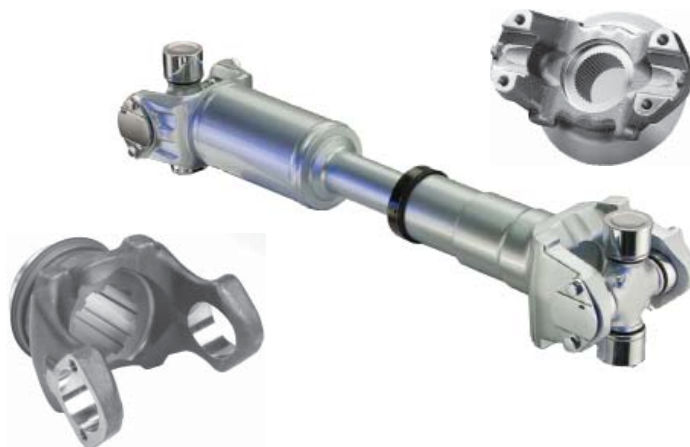




DRIVELINE TIPS II

TORQUE

1. Universal joints have a torque rotation direction. Installing joints in reverse rotation to zerk fitting will result in premature failure. Proper rotation should be with zerk and rotation to the right.
2. End Yoke Torque Value - Nut holding end yoke to application should have torque value of 600 Ft Lbs. A torque multiplier may be necessary to achieve specified setting.
3. Bearing Straps - Torque settings should be between 30 to 40 Ft Lbs.
4. Yokes are directional and have arrows indicating side away from transmission and power source.
5. Go - No Go Gauges - Tools available to pre-determine if yoke ears may be sprung. If bar, gauge will not fit through ears, yoke is probably damaged.
6. Yoke Throat - Center area of yoke where material is machined down to narrowest point. Seam of welded tubing should be towards one ear or the other, but never in center of throat area.
7. Critical Speed - Maximum speed at which shaft may safely operate, based on length vs. RPM vs. diameter. Exceeding critical speed value may result in spontaneous disassembly.
8. Shaft Length - 60" to 80" is safe margin. Consider using a 2 piece system for shafts in excess of 80".
9. Balance Weights - Recommended number of weights per shaft is 7 for a single shaft and 9 for a two shaft configuration.
10. Inclinometer - Tool available to help determine driveline angles and slope. Provides a digital readout of degrees.

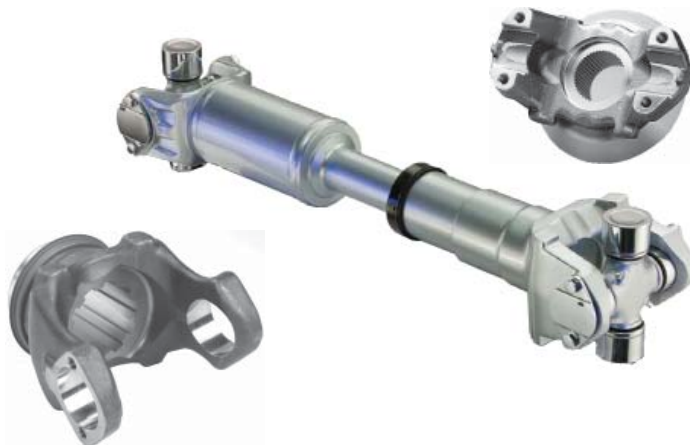




DRIVELINE TIPS III

ANGLES AND VIBRATIONS

1. Driveline vibrations can occur as five various types, transverse, torsional, inertial excitation, critical speed, and secondary coupling vibrations.
2. Transverse vibrations are simplest to repair and usually involve balance issues on driveshaft.
3. Torsional vibrations are more serious vibration issues that are usually related to driveline working angles, and bending and twisting motion experienced by driveshaft.
4. Large working angles will usually introduce torsional vibrations. Keeping driveline slope 3° to 6° is preferred. The smaller the angles, the less chance of torsionals.
5. Cancellation angles is the process where you keep the front and rear working angles to a $+ / - 1^{\circ}$ of each other. Keeping angles small and $+ / - 1^{\circ}$ of each other will help cancel out torsionals.
6. Ride height will affect angles and relate to vibration issues. When checking into a vibration issue the truck should be loaded.
7. There are two types of angles to be aware of simple 1 plane angles and compound angles.
8. Simple 1 plane angles are where the driveshaft connects to the rear axle and is in a straight line plane.
9. Compound angle is where the driveshaft is offset in relation to the transmission and rear axle, not in a straight line plane.
10. Driveline slop is the direction, up, or down, of the driveshaft and the slope should not exceed 3° to 6° to avoid torsional vibrations.

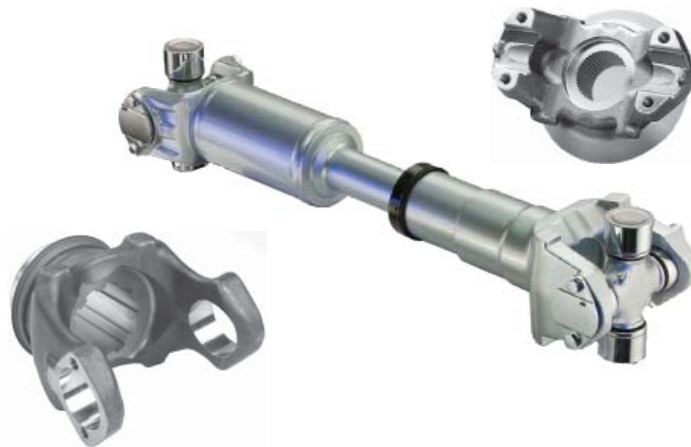




DRIVELINE TIPS IV

FAILURE ANALYSIS

1. Shock Load is failure where engineered values are exceeded and sudden sharp spike in load value will shear related parts. Clean break in appearance.
2. Brinelling is where the needle bearings will embed themselves into the trunnion surface, due to lack of movement (rotation) and lube. Appearance will be multiple ridges around the trunnion surface.
3. Galling is the condition where due to lack of lube and the presence of heat, two metal surfaces will weld, fusing together. The bearing cap will become permanently attached to end of trunnion.
4. Spalling is where due to foreign presence of material (moisture) lube will be diluted and no longer protect against heat resulting in eventual failure.
5. Fatigue is where due to time, heat, stress loads and various chemical exposures to materials, the surface will began to deteriorate and break down. A surface pitting or flaking will occur resulting in structural weakening and eventual failure.
6. Beach Marks are visual markings on failed surface related to shock load. You can see cracks, fissure marks on surface that increased over time prior to ultimate failure.
7. Critical Speed/Tube Failure is where tubing collapsed, crimped, separated due to shock load / critical speed.
8. Imbalance issue is when weights are missing or placed too close to tube weld seam. Can cause static vibrations as a jump rope, resulting in ultimate failure.
9. Lube recommended is NLGI EP 2. Lack of proper lubrication will result in premature failure.
10. Driveline slope should have a minimum of $1/2^\circ$ to spread lube in the U-joint bearing caps, and avoid failure due to lack of lube.

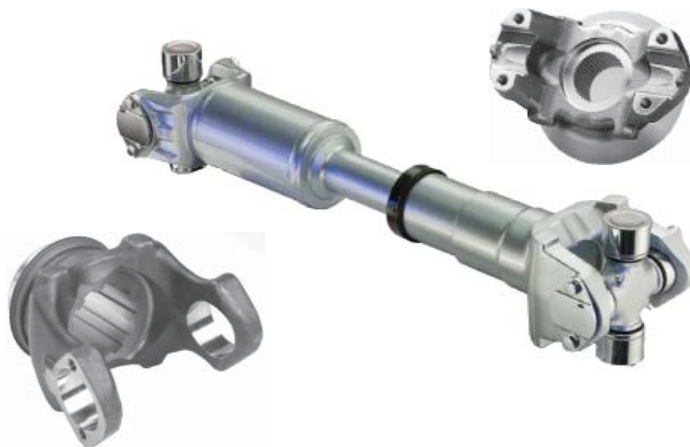




DRIVELINE TIPS V

HINTS ON DRIVELINE SETUP

1. Determine the length of a driveline by measuring from U-joint center to U-joint center.
2. Meritor Maintenance Manual MM-96147 (available at meritor.com/lod) contains helpful information on driveline specifications and service.
3. Meritor Driveline Angle Analysis tool is available at Meritor.com in the North American Customer Center section under Calculators in left nav.
4. Various tools used to measure and setup drivelines include the following: Spirit Level Protractor, Electronic Protractor, Inclinator, and Anglemaster.
5. Vehicle data important to driveline setup is as follows: Maximum Engine HP, Maximum Engine RPM, Trans Top Gear Ratio, Trans Angle, Phasing Type, and Rear Suspension Height.
6. Make sure that vehicle ride height is within normal specification.
7. Measurements over weld seams and balance weights will invalidate angle measurements.
8. Typically the Hypoid Forward Rear Axle Plane is the same as the Engine/Transmission Plane (usually 3° to 3.5°) in relation to measuring drivelines and angles.
9. Typically the Hypoid Rear - Rear Axle Plane is 10.5° to 11.5° in relation to measuring drivelines and angles.
10. Safest driveline operating angles are below 5°.



SUPERSESSION LISTING

Old#	New#	Old#	New#	Old#	New#
10N1075XS	R1075XS	155N441111X	155TYS28 1A	16NYS2820	16N 4 1051
10N10V5	R10V5	155N455511	155TYS28 15	16NYS2821	16N 4 1721
10N2701SF	R10270 SF	155N45691X	155N 4 5691 1X	16NYS2826	16N 4 4481
10N2702SF	R10270 SF	155N468311X	155N 4 5691 1X	16NYS2834	16N 4 6251
10NUTP1753	RUTP1753	155N53261	BS S24 60A	16NYS2838	16N 4 8441X
10X1628	CS C8 20 52	155NF2	155N 2 669	16NYS2854	16N 4 8441X
131N26367	131N 26 497	155NLS28	155N 3 1241X	16NYS319	16N 4 4551
131N26427	131N 26 497	155NLS2815A	155N 3 1241X	16NYS3232A	16N 4 6281X
131N281747X	131N 28 2957X	155NLS28DC	155N 3 1241X	16NYS3233	16N 4 6241
131N281777X	131N 28 2947X	155NY534	155N 28 307	16NYS3233A	16N 4 6291X
131N281937X	131N 28 2977X	155NYSB3213A	155TYSB32 13A	16NYS3234	16NYS32 43
131N28357B25	131N 28 357	155NYSB324	155TYSB32 13	16NYS3237	16N 4 5981
131N34951	131N 3 7981KX	155RLS281	155RLS28 1A1S	16NYS3238A	16NYS32 74A
131N34951KX	131N 3 7981KX	155TYS24	155N 4 4211 1	16NYS3248	16N 4 6321
131N34951X	131N 3 7981KX	155TYS2815A	155N 4 5611 1X	16NYS3276A	16N 4 6291X
131N35221	131N 3 8001KX	155TYS3214A	155N 4 5691 1X	16NYS34	16N 4 5731
131N35221KX	131N 3 8001KX	155TYSB2814	155TYSB28 14A	16NYS343	16N 4 5751
131N35821	131N 3 8021KX	155TYSB2840	155TYSB28 40A	16NYS364	16N 4 3321
131N35821KX	131N 3 8021KX	155TYSC24	155N 4 4211 1	16NYS36A	16N 4 6891X
131N40138	131N 40 138 2	159TYS321A	A 3260S1657	16TYS2813	16N 4 5571 1
131N401701BULK	131N 40 1701	1610BL	1199N1860	16TYS2821	16N 4 1721 1
133N34681	133N 3 7961KX	1612B	1199X1870	16TYS2843A	16N 4 7301 1X
133N34681KX	133N 3 7961KX	1641B	1199B2576	16TYS288A	16N 4 4841 1X
133N37481	133N 3 8041KX	16N2279BULK	16N2 279	16TYS3233	16TYS32 76
133N37481KX	133N 3 8041KX	16N28167BULK	16N 28 167	16TYS3233A	16TYS32 76A
135N401011	135N 40 1101	16N28627BULK	16N 28 627	16TYS3260A	16TYS32 86A
135N401531BULK	135N 40 1531	16N28667	16N 28 887	16TYS3260A1	16N 4 6431 1X
135N53151	135N 53 1351	16N3128X	16N-3-128X-MXL	16TYS388	16N 4 7331 1
141NF1	141N 2 159	16N31411X	16N-3-1411X-MXL	16TYS388A	16N 4 7341 1X
141NLS243DC	141N 3 2041KX	16N32261X	16N-3-2261X-MXL	16TYSC2863	16N 4 7171 1
141NLS249DC	141N 3 118KX	16N32261XBULK	16N-3-2261X-MXL	170N46511X	170TYS32 2A
141NY453	141N 28 97	16N3288X	16N-3-288X-MXL	176N2817BULK	176N 28 17
141NYS241	141N 4 6561	16N3288XBULK	16N-3-288X-MXL	176N321X	176N 3 21X MXL
141NYS242	141TYSB24 6	16N401011BULK	16N 40 1011	176N321XBULK	176N 3 21X MXL
141NYS2819A	141N 4 10461 1X	16N40741	16N 40 1011	176N341X	176N 3 41X MXL
141NYS284	141NYSB28 4	16N41721BULK	16N 4 1721	176N341XBULK	176N 3 41X MXL
141NYSB228	141TYSB22 11	16N41931BULK	16N 4 1931	176N4101	176N 4 211X
141NYSB242	141TYSB24 6	16N43621BULK	16N 4 3621	176N411	176N 4 791X
141TYSB2213A	141TYSB22 18A	16N44401BULK	16N 4 4401	176N4161BULK	176N 4 161
141TYSB2215A	141TYSB22 11A	16N44481BULK	16N 4 4481	176N4321	176N 4 1421
141TYSB2218	141TYSB22 18A	16N44551BULK	16N 4 4551	176N43211	176N 4 1421 1
141TYSB2219	141TYSB22 11	16N44741	16NYS36 7	176N47111	176TYS44 4
141TYSB2219A	141TYSB22 11A	16N44761	16N 4 4761X	176NLS402	176N 3 21X MXL
148DYS242	148N 4 3781	16N44891X	16N 4 6251	176NLS404DC	176N 3 41X MXL
148N40971	148N 40 1571	16N45451X	16N 4 6961X	176NLS407A	176N 3 21X MXL
148N47541	148N 4 8051 1X	16N45751BULK	16N 4 5751	176NLS409	176N 3 41X MXL
148NF2	148N 2 479	16N53141BULK	16N 53 141	176NLS409A	176N 3 41X MXL
148NF3	148N 2 479	16NF1	16N2 279	176NYS321A	176N 4 181X
148NY54	148N 28 547	16NF3	16N 2 629	176NYS323A	176N 4 541X
148NY542	148N 28 537	16NFE	16N 2 629	176NYS3611A	176N 4 1481X
148NY547	148N 28 537	16NLS3228CA	16N-3-2261X-MXL	176NYS3612A	176N 4 5221X
148NYS244	148N 4 3091	16NLS322DC	16N-3-288X-MXL	176NYS365	176N 4 1421
148NYS2836A	148N 4 10471 1X	16NLS3247	16NLS32 47A2MXL	176NYS365A	176N 4 331X
148NYS29A	148NYSB29	16NLS3247A1	16NLS32 47A2 MXL	176NYS3813A	176N 4 861X
148NYS317	148N 4 3861	16NLS3247CA	16NLS32 47A2 MXL	176NYS3814A	176N 4 1041X
148NYSB325A	148TYSB32 2A	16NLS3248	16NLS32-48A2 MXL	176NYS3816A	176N 4 851X
148TYS28A	148N 4 8051 1X	16NLS3248A1	16NLS32 48A2 MXL	176NYS3820A	176N 4 1161X
155N28207	155N 28 307	16NLS328	16N-3-2261X-MXL	176NYS3820A1	176N 4 1161X
155N40461	155N 40 761	16NYS2813A	16N 4 5621X	176NYS383A	176N 4 211X
155N40721BULK	155N 40 721	16NYS282	16N 4 1931	176NYS384	176N 4 161

SUPERSESSION LISTING

Old#	New#	Old#	New#	Old#	New#
176NYS384A	176N 4 161	17N44961BULK	17N 4 4961	17NLS4072DC	17N 3 2401X MXL
176NYS386	176N 4 441	17N44981X	17NYS32 99	17NLS4086DC	17N 3 2571X MXL
176NYS4014A	176N 4 781X	17N45041	17N 4 5041X	17NLS4097A	17N 3 2671X MXL
176NYS4016	176N 4 151	17N45041BULK	17N 4 5041X	17NLS4098A	17NLS40 98CA1 MXL
176NYS444A	176N 4 791X	17N45041XBULK	17N 4 5041X	17NLS4098CA	17NLS40 98CA1 MXL
176NYS384	176N 4 161	17N45051X	17NYS32 100	17NLS4099A	17N 3 2761X MXL
176TYS323A	176N 4 541 1X	17N45071XBULK	17N 4 5071X	17NY60	17N 28 347
176TYS3612A	176N 4 5221 1X	17N45101X	17N 4 6411X	17NY6012	17N 28 347
176TYS365A	176N 4 331 1X	17N45101XBULK	17N 4 6411X	17NY6013	17N 28 347
176TYS3813A	176N 4 861 1X	17N45121X	17N 4 6331	17NY6013BULK	17N 28 347
176TYS3814A	176N 4 1041 1X	17N45151XBULK	17N 4 5151X	17NY6014	17NY60 15
176TYS3820A	176N 4 1161 1X	17N453511	17N-4-7071-1X	17NY603	17N 28 347
176TYS3827A	176N 4 1041 1X	17N45511X	17N 4 6871X	17NY607	17N 28 347
176TYS383	176N 4 101 1	17N45531X	17N 4 6951X	17NYS282	17N 4 4091
176TYS383A	176N 4 211 1X	17N45551X	17N 4 6941X	17NYS282A1	17N 4 4831X
176TYS384	176N 4 161 1	17N45591	17N 4 6841X	17NYS2846A	17N 4 5041X
176TYS384A	176TYS38 4A	17N46001X	17N 4 8531X	17NYS2849	17N 4 6321
176TYS385	176N 4 271 1	17N46031	17N 4 8461	17NYS2849A	17N 4 5111X
176TYS4014A	176N4 781 1X	17N46321BULK	17N 4 6321	17NYS2850A	17N 4 5131X
176TYS4017A	176N 4 771 1X	17N46371	17NYS32 99	17NYS2851	17N 4 6481
176TYS444A	176N 4 791 1X	17N46381X	17NYS32 99A	17NYS2852	17N 4 6451
176TYS45	176N 4 1681 1	17N46401	17NYS32 100	17NYS2865A	17N 4 8521X
1792B	1199T2854	17N464011	17N 4 7621 1	17NYS3119	17N 4 4371
17N2749	17NF20	17N464011BULK	17NYS32 100	17NYS31A	17N 4 4361X
17N28137BULK	17N 28 137	17N46411XBULK	17N 4 6411X	17NYS32100A	17N 4 6421X
17N28347BULK	17N 28 347	17N46481BULK	17N 4 6481	17NYS3240	17N 4 5501
17N28367	17NY60 15	17N46921XBULK	17N 4 6921X	17NYS3241A3	17N 4 6951X
17N32241X	17N 3 2631X MXL	17N46931XBULK	17N 4 6931X	17NYS3244	17N 4 7141
17N32261X	17N 3 2651X MXL	17N46951XBULK	17N 4 6951X	17NYS3252	17NYS32 60
17N32341X	17N 3 2671X MXL	17N471611	17TYS38 76	17NYS3255A	17N 4 6411X
17N32401X	17N 3 2401X MXL	17N473011	17TYS32 73	17NYS3255A1	17N 4 6421X
17N32551X	17N 3 2401X MXL	17N49181X	17NYS34 19A1	17NYS3255A3	17NYS32 100A2
17N32571X	17N 3 2571X MXL	17N53151BULK	17N 53 151	17NYS3256	17NYS32 99
17N32631X	17N 3 2631X MXL	17N53201BULK	17N 53 201	17NYS3256A	17NYS32 99A
17N32651X	17N 3 2651X MXL	17N53311BULK	17N 53 311	17NYS3256A3	17NYS32 99A3
17N32651XBULK	17N 3 2651X MXL	17N82106113	17NYSM40 162	17NYS3257	17N 4 5991
17N32671X	17N 3 2671X MXL	17N8210613	17NYSM40-202	17NYS3257A	17N 4 8531X
17N32671XBULK	17N 3 2671X MXL	17N8210911	17N 82 1091 13	17NYS3258A	17N 4 6021X
17N32761X	17N 3 2761X MXL	17N82109112	17N 82 1171 2	17NYS3285A	17N 4 8531X
17N33021X	17N 3 3021X MXL	17N8210911BULK	17N 82 1091 13	17NYS3286A	17N 4 6021X
17N40401	17N 40 541	17N8210913	17NYSM40-201	17NYS3292A	17N 4 9031X
17N40451	17N 40 521	17N8210914	17N 82 1171 5	17NYS3295	17NYS32 99
17N40521BULK	17N 40 521	17N8211911	17NYSM40 169	17NYS3296A	17N 4 6421X
17N40541BULK	17N 40 541	17N829711X	17NYSM40-202	17NYS3296A1	17NYS32 100A1
17N419811	17TYS32 54	17NF20BULK	17NF20	17NYS3296A2	17NYS32 100A2
17N41981BULK	17N 4 1981	17NF23	17NF28	17NYS3411	17N 4 5821
17N41991BULK	17N 4 1991	17NF25BULK	17NF25	17NYS3418A	17NYS34 18A1
17N42141BULK	17N 4 2141	17NLS40103A	17NLS40 121A1 MXL	17NYS3419A	17NYS34 19A1
17N43031BULK	17N 4 3031	17NLS40109A	17N 3 2651X MXL	17NYS3640	17N 4 8461
17N43121	17N 4 3291	17NLS40120A	17N 3 2401X MXL	17NYS3640A	17N 4 8551X
17N43241BULK	17N 4 3241	17NLS40121A	17NLS40 121A1 MXL	17NYS365	17N 4 1971
17N43791BULK	17N 4 3791	17NLS40124A	17NLS40 124A1 MXL	17NYS3660A	17N 4 8551X
17N44091BULK	17N 4 4091	17NLS4042	17N 3 2671X MXL	17NYS3817A	17N 4 5961X
17N44121	17NYS36 19	17NLS4043	17N 3 2651X MXL	17NYS3818	17NYS38 63
17N44191X	17N 4 4411X	17NLS4043DC	17N 3 2651X MXL	17NYS3818A	17N 4 7851X
17N44411XBULK	17N 4 4411X	17NLS4047	17NLS40 47CA	17NYS3822	17N 4 4561
17N44421BULK	17N 4 4421	17NLS4047DC	17NLS40 47CA	17NYS3824	17N 4 5841
17N44551BULK	17N 4 4551	17NLS4050	17NLS40 98CA1 MXL	17NYS3831A	17N 4 6961X
17N44881	17N 4 6321	17NLS4050DC	17NLS40 98CA1 MXL	17NYS3832A	17N 4 7181X
17N44911X	17N 4 6321	17NLS4056DC	17NLS40 121A1 MXL	17NYS3835A	17NYS38 61A

SUPERSESSION LISTING

Old#	New#	Old#	New#	Old#	New#
17NYS3863A	17N 4 7851X	17TYS4410A	17N 4 6931 1X	18TYS3212A	18N 4 3381 1X
17NYS387	17N 4 4771	17TYS3271	17N 4 7141 1	18TYS3611A	18N 4 4351 1X
17NYS3878X	17NYS38 78	18N28117BULK	18N 28 117	18TYS3619A	18N 4 4351 1X
17NYS388	17N 4 4601	18N28127BULK	18N 28 127	18TYS3816A	18N 4 3731 1X
17NYS388A	17N 4 5071X	18N31351X	18N 3 1351X MXL	18TYS3821A	18N 4 3921 1X
17NYS40125A	17N 4 6921X	18N31351XBULK	18N 3 1351X MXL	18TYS3826	18N 4 3591 1
17NYS4013	17N 4 4421	18N31371X	18N 3 1371X MXL	18TYS3827A	18N 4 3731 1X
17NYS446A	17N 4 6841X	18N31371XBULK	18N 3 1371X MXL	18TYS383	18N 4 1891 1
17NYS447A	17N 4 6931X	18N31431XBULK	18N 3 1431X	18TYS38A	18N 4 2711 1X
17NYSM40104	17NYSM40-201	18N31431XMXL	18N 3 1431X	18TYS404A	18N 4 3551 1X
17NYSM40116	17NYSM40 169	18N40151	18N 40 201	18TYS444A	18N 4 3561 1X
17NYSM40120	17NYSM40-203	18N40161	18N 40 191	20RLS4011A1	20RLS40 11A1S
17NYSM40123	17NYSM40-201	18N40191BULK	18N 40 191	20RLS401A	20RLS40 2A1S
17NYSM40158	17NYSM40 169	18N40201BULK	18N 40 201	20RLS401A1	20RLS40 2A1S
17NYSM40165	17NYSM40-203	18N41891BULK	18N 4 1891	20RLS401A1S	20RLS40 2A1S
17NYSM40170	17NYSM40-203	18N42101	18NYS40 5	20RLS401A2	20RLS40 2A1S
17NYSM40171	17NYSM40-201	18N42481X	18N 4 3371	20RLS402A2	20RLS40 2A1S
17NYSM40172	17NYSM40-201	18N42491X	18N 4 3381X	20RLS403A2	20RLS40 3A1S
17NYSM40173	17NYSM40-201	18N42651	18N 4 3201	20RPL146A	CP20RPLS
17NYSM4050	17N 82 1171 1	18N42751	18NYS44 3	20RY601	20RY60 7
17NYSM4056	17NYSM40-202	18N43171X	18N 4 3571X	20RY602	20RY60 6
17NYSM4058	17N 82 1171 2	18N43721	18NYS38 27	20RY605	20RY60 7
17NYSM4071	17NYSM40 169	18N5391BULK	18N 53 91	20RYSM4018	20RYSM40-47
17NYSM4079	17N 82 1171 5	18NLS4810	18N 3 1431X	20RYSM4024	20RYSM40-47
17NYSM4084	17N 82 1091 13	18NLS4810DC	18N 3 1431X	20RYSM4025	20RYSM40-48
17NYSM4086	17NYSM40 169	18NLS4816C	18N 3 1371X MXL	20RYSM4026	20RYSM40-48
17NYSM4091	17N 82 1061 4	18NLS4817CA	18N 3 1351X MXL	20RYSM4027	20RYSM40-49
17NYSM4094	17N 82 1061 9	18NLS4821C	18N 3 1351X MXL	20RYSM4028	20RYSM40-49
17NYSM4095	17N 82 1061 8	18NLS4828CA1	18N 3 1371X MXL	20RYSM4029	20RYSM40-50
17TYS2859A	17N 4 8511 1X	18NLS4829CA1	18N 3 1351X MXL	20RYSM4030	20RYSM40-50
17TYS3154	17TYS31 54	18NLS485DC	18N 3 1371X MXL	20RYSM4031	20RYSM40-51
17TYS3161A	17TYS31 66A	18NLS487DC	18N 3 1431X	20RYSM4032	20RYSM40-51
17TYS32100A	17N 4 7641 1X	18NY64	18N 28 127	20RYSM4033	20RYSM40-52
17TYS3256	17TYS32 99	18NY641	18N 28 127	20RYSM4034	20RYSM40-52
17TYS3256A1	17N 4 6391 1X	18NY68	18N 28 117	20RYSM4035	20RYSM40-53
17TYS3266	17TYS32 73	18NYS32	18N 4 1921	20RYSM4036	20RYSM40-53
17TYS3268	17N 4 7621 1	18NYS3212A	18N 4 3381X	20WPL143A	CP20RPLS
17TYS3268A	17N 4 7641 1X	18NYS324	18N 4 3371	20WYS321	20WYS32 17
17TYS3268A1	17N 4 7631 1X	18NYS324A	18N 4 3371	20WYS321A	20WYS32 17A
17TYS3270A1	17N 4 6951 1X	18NYS342A1	18N 4 4601X	20WYS381A	20WYS38 4A
17TYS3271	17N 4 7141 1	18NYS3611A	18N 4 3281X	20WYSC389	20WYSC38 18
17TYS3293A	17N 4 8991 1X	18NYS3619A	18N 4 3281X	2264L12	DEFR47 13
17TYS3295	17TYS32 99	18NYS3816	18NYS38 27	2264R1006	DEFR62 1
17TYS3295A	17N 4 6391 1X	18NYS3816A	18N 4 3731X	2297D2292	DEFR50 4
17TYS3299A	17N 4 6391 1X	18NYS3821A	18N 4 3921X	2297D2708	DEFR54 1
17TYS3651A	17N 4 6041 1X	18NYS3821A1	18N 4 4611X	2297D3410	DEFR40 4
17TYS3653	17N 4 6861 1	18NYS3826	18N 4 3591	2297G2399	DEFR47 7
17TYS3656A	17N 4 6901 1X	18NYS3827A	18N 4 3731X	2297J3026	DEFR38 3
17TYS3829A	17N 4 8341 1X	18NYS3827A4	18N 4 3731X	2297M3029	DEFR56 2
17TYS3831A	17N 4 6961 1X	18NYS383	18N 4 1891	2297N560	DEFR44 1
17TYS3852A	17N 4 5461 1X	18NYS388A	18N 4 3221X	2297N716	DEFR47 5
17TYS3853A	17N 4 6961 1X	18NYS388A2	18N 4 3581X	2297P562	DEFR38 1
17TYS3854A	17N 4 7181 1X	18NYS388A5	18N 4 3221X	2297R3970	DEFR60 1
17TYS3857	17N 4 4561 1	18NYS388X	18N 4 3201	2297S6727	DEFR59 1
17TYS3860A	17N 4 7531 1X	18NYS38A	18N 4 2711X	250TYS382A3	A2 3260H1828
17TYS3872A	17TYS38 75A	18NYS401	18N 4 1961	25RLS401A	25RPL SLIP
17TYS3876A	17N 4 7181 1X	18NYS404A	18N 4 3551X	25RLS401A1	25RPL SLIP
17TYS40144A	17N 4 6921 1X	18NYS406	18N 4 3611	25RLS401A1S	25RPL SLIP
17TYS40149	17N 4 7691 1	18NYS442A	18N 4 3501X	25RLS401A2	25RPL SLIP
17TYS424	17N-4-7071-1X	18NYS444A	18N 4 3561X	25RLS48A	25RLS48 1A1S

SUPERSESSION LISTING

Old#	New#	Old#	New#	Old#	New#
25RLS48A1.....	25RLS48 1A1S	3280B1848.....	141N 4 2241	72N1443A.....	CP72N HWD
25RLS48A1S.....	25RLS48 1A1S	3280B2186.....	16N 4 3681	72N1444A.....	CP72N HB PL
25RLS48A2.....	25RLS48 1A1S	3280C6321.....	62NYS26 13	72N1445A.....	CP72N HB
25RPL146A.....	CP25 RPL S	3280D6764.....	5WCS32 103	72N1447A.....	CP72N DWT
25RY681.....	25RY68 3	3280E1643.....	17N 4 1991	72N1449A.....	72N14 71A
25WF3.....	25WF3C	3280F1982.....	17N 4 3221	72NLS321.....	72NLS32 1DC
25WPL143A.....	CP25 RPL S	3280F6766.....	72NYS32 219	72NLS3210DC.....	72NLS32 1DC
25WYS381A.....	25WYS38 13A	3280G2269.....	16N 4 1931	72NLS32129.....	72NLS32 20DC
25WYS383A.....	25WYS38 13A	3280H2400.....	72NYS31 3	72NLS32129DC.....	72NLS32 20DC
25WYS384.....	25WYSC38 11	3280M2223.....	17N 4 2381	72NLS32137DC.....	72NLS32 1DC
25WYSC384.....	25WYSC38 11	3280P2096.....	16N 4 1631	72NLS32142DC.....	72NLS32 142A
2847H528.....	DEFR47 6	3280Q4047.....	16N 4 3861	72NLS321DCBULK.....	72NLS32 1DC
2847J504.....	DEFR50 2	3280R7896.....	155NYS24 6	72NLS3220.....	72NLS32 20DC
2847V308.....	DEFR47 2	3280S1761.....	17N 2 739	72NLS3220DCBULK.....	72NLS32 20DC
28CV82HD.....	131N CV82 HD	3280T6754.....	17N 4 5521	72NLS3280DC.....	72NLS32 1DC
3202D7206.....	750NYSM28 112	3280T7118.....	18N 4 2781	72NPS3296.....	PS32 16 30
3202J7914.....	850NYSM30 25	3280U6729.....	17N 4 5451	72NY5220BULK.....	72NY52 20
3202M9035.....	750NYSM28 112	3280V6756.....	72NYS32 222	72NYS28157A.....	72NYS28 177
3260A1535.....	17TYS32 99	3280W2753.....	72NYS32 9	72NYS28163.....	72NYSB28 163
3260A313.....	72NYSB32 258	3280W6757.....	72NYS32 221	72NYS2842.....	72NYS28 6
3260B132.....	92NYS32 26	3280X1974.....	17N 4 2271	72NYS302BULK.....	72NYS30 2
3260B1536.....	17TYS34 29	3280X2546.....	72NYS28 10	72NYS3141.....	72NYS31
3260B2.....	155N 4 4101	3280X6758.....	17N 4 5501	72NYS3170.....	72NYS31 2
3260C29.....	72NYSB28 163	3280Z6734.....	18N 4 2701	72NYS3172.....	72NYS31 72
3260D1668.....	16TYS32 76	3897L1000.....	17N 4 3241	72NYS3178.....	72NYS31 4
3260F1280.....	16N 4 6271 1	3897L2274.....	72NYS26 3	72NYS3185.....	72NYS31 2
3260F318.....	155DYS32 6	3897R512.....	72NYS31 4	72NYS32218.....	72NYS32 219
3260F84.....	62NYSB24 31	50NPS2838.....	PS 28 16 13	72NYS32239.....	72NYS32 256
3260G111.....	16N 4 6271	50NPS2844.....	155N 40 761	72NYS3431.....	72NYS34 24
3260G1125.....	16NYS38 12	58WB1413A.....	CP58WB HWD	72NYS3614.....	72NYS36 38
3260G1229.....	17TYS38 76	58WB1414A.....	CP58WB DWT	72NYS3645.....	72NYS36 95
3260G137.....	176NYS38 3	58WB1415A.....	CP58WB HB	72NYS4080.....	72NYS40 99
3260H112.....	16N 4 6241	58WB1425A.....	CP58WB HWD PL	750NYSM274.....	750NYSM27 12
3260J1154.....	155TYS28 1	58WB1426A.....	CP58WB HWD	750NYSM275.....	750NYSM27 13
3260J1310.....	17NYS38 61	58WB1427A.....	CP58WB HB PL	750NYSM28178.....	750NYSM28 112
3260K1311.....	16TYS32 5	58WB1428A.....	CP58WB HB	82N1420A.....	CP82N HWD
3260L116.....	18N 4 3371	58WB1430A.....	CP58WB DWT	82N1421A.....	CP82N DWT
3260L1260.....	18N 4 3721 1	58WBLS281.....	58WBLS28 41A	82N1422A.....	CP82N HB
3260M117.....	82NYS32 74	58WBLS282.....	58WBLS28 42A	82N1425A.....	CP82N HWD PL
3260M39.....	62NYS28 155	58WBLS2841DC.....	58WBLS28 41A	82N1426A.....	CP82N HWD
3260N118.....	92NYS32 25	58WBLS2841DC3.....	58WBLS28 41A	82N1427A.....	CP82N HB PL
3260N248.....	155DYS28 1	58WBLS2842DC.....	58WBLS28 42A	82N1428A.....	CP82N HB
3260P120.....	17NYS32 99	58WBLS2842DCBULK.....	58WBLS28 42A	82N1430A.....	CP82N DWT
3260P94.....	5WCS32 83	58WBY531BULK.....	58WBY53 1	82N1438A.....	CP82N HWD
3260Q121.....	17NYS32 100	58WBYS306.....	58WBYSB30 6	82NLS4083.....	82NLS40 83A
3260Q1395.....	17N 4 2191	5RLS401A.....	25RPL SLIP	82NLS4083DC.....	82NLS40 83A
3260R1058.....	17NYS38 38	5WCS3276.....	5WCS32 103	82NLS4083DCBULK.....	82NLS40 83A
3260R1292.....	17N 4 7621 1	5WCS349.....	3260C1511	82NLS4085DC.....	82NLS40 85A
3260R1630.....	17NYS32 99	62N1419A.....	62N14 43A	82NY6019BULK.....	82NY60 19
3260S123.....	72NYS32 244	62N1420A.....	62N14 47A	82NYS3137.....	82NYS31 37
3260S1813.....	17TYS38 76	62N1421A.....	62N14 45A	82NYS317.....	82NYS31 16
3260T1294.....	17NYS34 20	62NLS282DC.....	62NLS28 2A	850NYSM303.....	850NYSM30 25
3260U125.....	16N 4 6251	62NLS283DCBULK.....	62NLS28 3DC	85WB1413A.....	CP85WB HWD
3260U359.....	17N 4 7161	62NY531BULK.....	62NY53 1	85WB1414A.....	CP85WB DWT
3260V126.....	17N 4 6331	62NYS2617.....	62NYS26 13	85WB1415A.....	CP85WB HB
3260W127.....	17N 4 6321	72N1422A.....	CP72N HWD	85WBYS316.....	85WBYS31 6
3260W1687.....	2WCS22 79	72N1428A.....	CP72N DWT	85WBYSB316.....	85WBYS31 6
3260Y129.....	72NYS28 177	72N1429A.....	CP72N HB	9023048662.....	L6NYSM20 61
3264T1398.....	DEFR56 10	72N1434A.....	72N14 71A	92N1412A.....	CP92N HWD
3280A2185.....	72NYS30 2	72N1442A.....	CP72N HWD PL	92N1413A.....	CP92N DWT

SUPERSESSION LISTING

Old#	New#	Old#	New#	Old#	New#
92N1415A.....	CP92N HB	A23280T6754.....	17NYS32 41A2	A3260R1370.....	176N 4 791 1X
92NLS4847.....	92NLS48 47DC	A23280V6756.....	72NYS32 222A1	A3260R1682.....	17TYS38 70A
92NLS4847DCBULK.....	92NLS48 47DC	A23280X6758.....	17N 4 6871X	A3260R356.....	176N 4 861X
92NLS4855DCBULK.....	92NLS48 47DC	A3260A1353.....	155TYS32 6A	A3260S1137.....	62NYS28 202A
92NLS4866DC.....	92NLS48 66A	A3260B1146.....	72NYS38 26A	A3260S123.....	72NYS32 244A
92NY64BULK.....	92NY64	A3260B1302.....	17N 4 6961 1X	A3260S1241.....	148TYS32 4A
92NYS3216A1.....	92NYS32 25A	A3260B132.....	92NYS32 26A	A3260S1267.....	176N 4 541 1X
92NYS33.....	92NYS33 2	A3260B2.....	155NYS28 5A	A3260S1371.....	18N 4 3561X
92NYS3833.....	92NYS38 33	A3260C1147.....	18N 4 3731X	A3260S357.....	17N 4 6961X
92NYS3855.....	92NYS38 69	A3260D1252.....	5WCS38 24A	A3260T1034.....	16NYS38 8A
92NYS3875A.....	92NYS38 75A1	A3260D1512.....	18NYS34 5A	A3260T1268.....	17TYS36 52A
92NYS4017BULK.....	92NYS40 17	A3260E1669.....	159N 4 761 1X	A3260T1294.....	17NYS34 20A
92NYS4420.....	92NYS44 22	A3260F1280.....	16TYS32 32A	A3260T1372.....	18N 4 3561 1X
950NYSM38.....	950NYSM38 15S	A3260F136.....	5WCS32 86A	A3260T1502.....	5WCS40 45A
950NYSM3810.....	950NYSM38 20	A3260F318.....	155DYS28 6A	A3260U359.....	17N 4 7181X
950NYSM3811.....	950NYSM38 21	A3260F32.....	72NYS28 166A	A3260U73.....	18N 4 3221X
95405101443.....	72WDS007B443	A3260G111.....	16N 4 6281X	A3260V126.....	17N 4 5131X
98405018025.....	17XNS077B026	A3260G1125.....	16NYS38 12A	A3260V1634.....	17TYS38 75A
9845844409.....	17NS40 120AK	A3260G1229.....	17N 4 7181 1X	A3260V360.....	176N 4 1041X
9849247594.....	17XNS075B253	A3260G137.....	176N 4 211X	A3260W127.....	17N 4 5111X
A13260A1535.....	17N 4 6391 1X	A3260G1645.....	17N 4 6421X	A3260W1869.....	140TYS28 1A
A13260F1228.....	17N 4 7641 1X	A3260H112.....	16N 4 6291X	A3260W75.....	17N 4 5961X
A13260G1229.....	17N 4 7181 1X	A3260H1230.....	17N 4 6961 1X	A3260X128.....	72NYS28 176A
A13260K1233.....	16N 4 6431 1X	A3260H1308.....	82NYS38 31A	A3260X1870.....	140TYS38A
A13260K1259.....	18N 4 3221 1X	A3260H1360.....	176N 4 781X	A3260Y1143.....	16NYS38 11A
A13260K1298.....	17N 4 6951 1X	A3260H8.....	17NYS28 43A	A3260Z1300.....	17TYS36 52A
A13260M117.....	82NYS32 74A1	A3260J10.....	3WCS28 93A	A3260Z1534.....	62NYS32 48A
A13260P120.....	17N 4 6391X	A3260J1154.....	155TYS28 1A	A3260Z52.....	62NYS28 160A
A13260Q121.....	17N 4 6421X	A3260J1232.....	16TYS28 13A	A3280A6735.....	82NYS38 15A
A13260R1292.....	17N 4 7641 1X	A3260J1284.....	85WBYS32 20A	A3280B6736.....	92NYS38 39A
A13260R18.....	16N 4 6961X	A3260J1310.....	17NYS38 61A	A3280B6762.....	72NYS32 220A
A13260R96.....	17NYS40 106A1	A3260J1362.....	176N4 781 1X	A3280C2265.....	62NYS24 17
A13260S123.....	72NYS32 244A1	A3260J1830.....	170TYS32 1A	A3280D2084.....	62NYS26 11A
A13260X1298.....	17N 4 6951 1X	A3260K1129.....	92NYS38 73A	A3280D2266.....	62NYS26 13A
A13260Z208.....	176N 4 731X	A3260K115.....	176N 4 541X	A3280D5646.....	17NYS32 99
A13280A2185.....	72NYS30 2A	A3260K1233.....	16TYS32 86A	A3280D6764.....	5WCS32 103A1
A13280B6762.....	72NYS32 220A	A3260K1259.....	18N 4 3581 1X	A3280E6765.....	17N 4 6941X
A13280C2265.....	62NYS24 17A1	A3260K1415.....	18TYS40 9A	A3280E7727.....	CP950N
A13280E6765.....	17N 4 6941X	A3260K63.....	58WBYS28 186A	A3280F1982.....	17N 4 4361X
A13280F5466.....	17N 4 5131X	A3260L116.....	18N 4 3381X	A3280F5466.....	17N 4 6331
A13280H2400.....	72NYS31 3	A3260L1234.....	16N 4 7341 1X	A3280G2269.....	16N 4 3601X
A13280H4246.....	17N 4 6891X	A3260L1260.....	18N 4 3731 1X	A3280H1750.....	16NYS30A
A13280H5520.....	17N 4 6411X	A3260M117.....	82NYS32 74A	A3280H2270.....	62NYS28 123A
A13280H6768.....	17N 4 6941X	A3260M1235.....	16TYS38 11A	A3280H4246.....	17N 4 6891X
A13280J4248.....	17N 4 4481X	A3260M1365.....	17N 4 6931X	A3280H5520.....	17NYS32 100
A13280R5452.....	18N 4 2551X	A3260M39.....	62NYS28 155A	A3280H6768.....	17N 4 6941X
A13280S4101.....	17N 4 4831X	A3260N118.....	92NYS32 25A	A3280Q6075.....	17N 4 5961X
A13280T6754.....	17NYS32 41A1	A3260N1236.....	17TYS28 57A	A3280Q7115.....	16N 4 5621X
A13280U6755.....	16N 4 6951X	A3260N1262.....	18N 4 3381 1X	A3280R5452.....	18N 4 2551X
A13280X3274.....	16N 4 6891X	A3260N1288.....	16TYS32 86A	A3280S5843.....	18N 4 3221X
A13897L1000.....	17N 4 4291X	A3260N1314.....	17N 4 7851X	A3280T6754.....	17N 4 6951X
A23260G1229.....	17TYS38 76A2	A3260N248.....	155DYS28 1A	A3280T7118.....	18N 4 3571X
A23260K1311.....	16N 4 6951 1X	A3260P120.....	17NYS32 99A	A3280U6729.....	17N 4 5461X
A23260L116.....	18NYS32 12A2	A3260P1264.....	176N 4 1041 1X	A3280W8265.....	5WCS38 18A
A23260R1240.....	5WCS38 23A2	A3260Q121.....	17N 4 6411X	A3280X6758.....	17N 4 6871X
A23260U73.....	18N 4 3581X	A3260Q1265.....	176N 4 861 1X	A3280X6888.....	92NYS32 25A
A23260W75.....	17NYS38 17A2	A3260Q1395.....	17N 4 2191	A3280Z6734.....	18N 4 2711X
A23280D5672.....	18N 4 3381X	A3260Q95.....	92NYS38 52A	A33260F1280.....	16TYS32 32A3
A23280D6764.....	5WCS32 103A1	A3260R1058.....	17N 4 7771X	A33260P120.....	17NYS32 99A3
A23280S3581.....	72NYS36 54A2	A3260R1292.....	17N 4 7641 1X	A33260Q121.....	17NYS32 100A2

SUPERSESSION LISTING

Old#	New#	Old#	New#	Old#	New#
A33280E1643	17N 4 4411X	CP16NS	M279X	CP62NHBBULK	CP62N HB
A33280T6754	17N 4 6951X	CP16NSBULK	M279X	CP62NHWDBULK	CP62N HWD
A33280T7118	18N 4 3571X	CP16S	M674X	CP7262512	CP1306 1X
A33280U6755	16N 4 6951X	CP16S1	M674X	CP726253	CP1306X
A3897D2266	72NYS31 4	CP16S2	M674X	CP72N103	CP72N HWD
A3897K427	17N 4 4181X	CP170XBULK	CP170X	CP72N113	CP72N DWT
A3897R512	72NYS31 4A	CP176N2	M407X	CP72N121	CP72N HWD
A3897Y675	17N 4 2191	CP176N4	M407X	CP72N121BULK	CP72N HWD
A43280E1643	17N 4 4411X	CP176NS	M407X	CP72N34	CP72N HB
BPS28162	155N 53 61	CP176NSBULK	M407X	CP72N89	CP72N DWT
BSS2430	BS S24 52A	CP176S1	M677X	CP72N90	CP72N HB
BSS2432	BS S24 53A	CP176S2	M677X	CP72N90BULK	CP72N HB
BSS248	BS S24 52	CP176S4	M677X	CP72NDWTBULK	CP72N DWT
BSS2510	148N 53 451	CP178XBULK	CP178X	CP72NHBBULK	CP72N HB
BSS2514	148N 53 451	CP17N20	M280X	CP72NHWDBULK	CP72N HWD
BSS252	148N 53 451	CP17N22	M280X	CP750N1BULK	CP750N 1
BSS253	148N 53 451	CP17N35	M280X	CP750NBULK	CP750N
BSS2840	16N 53 141	CP17N37	M280X	CP82N72	CP82N HWD
BSS2861	155N 53 61	CP17N38	M675X	CP82N72BULK	CP82N HWD
BSS2879	155N 53 61	CP17N39	M280X	CP82N75	CP82N HB
BSS2888	155N 53 61	CP17NS	M280X	CP82N75BULK	CP82N HB
BSS3810A	17N 53 311	CP17NSBULK	M280X	CP82N76BULK	CP82N DWT
BSS385	18N 53 91	CP17S	M675X	CP82NDWTBULK	CP82N DWT
BSS386	18N 53 51	CP17S1	M675X	CP82NHBBULK	CP82N HB
CB2100842XBULK	CB210084 2X	CP17S2	M675X	CP82NHWDBULK	CP82N HWD
CB2101211X	CB210121 1XSA	CP17S5	M675X	CP850N4BULK	CP850N 4
CB2101211XBULK	CB210121 1XSA	CP18N12	M281X	CP85WB42	CP85WB HWD
CB2101301X	CB210207 1X	CP18N15	M281X	CP85WB46	CP85WB HWD
CB2106611X	CB210661 1XSA	CP18N17	M281X	CP85WB46BULK	CP85WB HWD
CB2106611XBULK	CB210661 1XSA	CP18N3	M281X	CP85WB47	CP85WB DWT
CB2108751X	CB210875 1XSA	CP18N8	M281X	CP85WB47BULK	CP85WB DWT
CB2108751XBULK	CB210875 1XSA	CP18N95	CP18N 96	CP85WB48	CP85WB HB
CB2108811X	CB310012 1XSA	CP18NS	M281X	CP85WB48BULK	CP85WB HB
CB2108811XSA	CB310012 1XSA	CP18S1	M676X	CP85WBDWTBULK	CP85WB DWT
CB3100011XBULK	CB310001 1X	CP18S1BULK	M676X	CP85WBHBBULK	CP85WB HB
CB3100051X	CB210367 1X	CP18S2	M676X	CP85WBHWDDBULK	CP85WB HWD
CB3100121X	CB310012 1XSA	CP2011	CP2011X	CP92N102	CP92N 70
CB3100131X	CB210875 1XSA	CP20RPL	CP20 RPLS	CP92N17	CP92N HWD
CBRR381	CB210661 1XSA	CP20RPL1	CP20 RPLS	CP92N49	CP92N DWT
CCB206	CB210121 1XSA	CP25RPL	CP25 RPL S	CP92N50	CP92N HB
CCB207	CB310012 1XSA	CP25RPL1	CP25 RPL S	CP92N58	CP92N HWD
CP115XBULK	CP115X	CP3008	CP3147X	CP92N71	CP92N DWT
CP1206X	CP141N	CP4113	CP4143X	CP92N71BULK	CP92N DWT
CP1209X	CP1200X	CP438X	CP 674X	CP92N72	CP92N HB
CP1210X	CP155N	CP469X	CP 677X	CP92N72BULK	CP92N HB
CP121X	CP200X	CP5000	CP5122	CP92N73	CP92N HWD
CP1306XBULK	CP1306X	CP510X	CP 676X	CP92N73BULK	CP92N HWD
CP131N	CP1200X	CP515X	CP 675X	CP92NDWTBULK	CP92N DWT
CP131N1	CP1201X	CP58WB29	CP58WB DWT	CP92NHBBULK	CP92N HB
CP133N	CP1203X	CP58WB30	CP58WB HWD	CP92NHWDBULK	CP92N HWD
CP133N1	CP1204X	CP58WB31	CP58WB HWD	CPL10N4	CPL10N 2
CP135N	CP1205X	CP58WB35	CP58WB DWT	CPL10S	CPL10N 2
CP141N21	CP141N	CP58WB37	CP58WB HB	CPL10S1	CPL10N 2
CP148N1	CP148N	CP58WB37BULK	CP58WB HB	CPL10SBULK	CPL10N 2
CP153XBULK	CP153X	CP58WB38	CP58WB HWD	CPL15N	CPL15N 1S
CP155N23	CP155N	CP58WBHBBULK	CP58WB HB	CPL15N1	CPL15N 1S
CP160XBULK	CP160X	CP62N47	CP62N DWT	CPL15N1BULK	CPL15N 1S
CP16N13	M279X	CP62N48	CP62N HB	CPL15N1SBULK	CPL15N 1S
CP16N3	M279X	CP62N49	CP62N HWD	CPL15NBULK	CPL15N 1S
CP16N9	M279X	CP62NDWTBULK	CP62N DWT	CPL6R30	CPL6R 50

SUPERSESSION LISTING

Old#	New#	Old#	New#	Old#	New#
CPL6R30BULK	CPL6R 50	KT16ES	KT16SB	S1652	S 165 B 2
CPL6R34	CPL6R 51	KT16SBBULK	KT16SB	SERUR251BULK	SE RUR25 1
CPL6R40	CPL6R 50	KT17ES	KT17SB	SERUR254	KIT 6269
CPL6R40BULK	CPL6R 50	KT17SBBULK	KT17SB	SERUR335	KIT 6167
CPL6R47	CPL6R 53	L6NLS2065	L6NLS20 65DC	SERUR409	KIT 6168
CPL6R50BULK	CPL6R 50	L6NYS1239BULK	L6NYS12 39	WALH57	WA 15K
CPL6S22	CPL6R 50	L6NYS1618BULK	L6NYS16 18	WALH63	WA 46
CPL6S26	CPL6R 51	L6R211A	CPL6R 50	WALH83	WA 48
CPL6S36	CPL6R 53	M1475X3	CPL6R 50	WAR203	WAR20 12
CSC51835	SP 1049	N28613	ND2C	WAR211BULK	WAR21 1
CSC52436	CS H5 24 37	NUHX62414	N 16 1	WAR74	1229K1597
CSC61658	SP 1045	NUHX7201	R005961	WIR381	1199A3329
CSC62456	SP 1013	NUPT121611	NL 112 1		
CSC72010	SP 1012	NUPT16204	1227C 939		
CSC72011	SP 1010	NUPT20186	1227Z 936		
CSC72046	SP 1010	NUPT20186BULK	1227Z 936		
CSC82047	SP 1014	NUPT5186	NL 25 1		
CSH12166	S 11212	NUPT61616	NL 26 1		
CSH42013	CS H4 28 13	NUSL16201	1227C 939		
CSH51827	CS H5 24 27	NUSL16202	1227C 939		
CSH51828	CS H5 24 28	NUSL20181	1227Z 936		
CSH51835	SP 1049	OCB21	DEFR25 4		
CSH52427BULK	CS H5 24 27	PLD6271	P 42		
CSH52430	CS H5 24 37	PLEX421	PLEX42 2		
CSH52438	S 155B 2	PS25161	148N 40 1571		
CSH61658	SP 1045	PS281619	155N 40 761		
CSH62423	S 168 2	PS28167	155N 40 761		
CSH62424	S 1616 2	PS321630BULK	PS32 16 30		
CSH62449	S 165 B 2	PS40161	17N 40 521		
CSH62462	S 168A 2	PS401615	17N 40 521		
CSH62466	S 165 B 2	PS401623	PS40 16 49		
CSH72014	S 179 2	PS401625	17N 40 541		
CSH82014	S 1818 2	PS401634BULK	PS40 16 34		
CSH82015	S 1820 2	PS401644	PS40 16 61		
CSH82016	S 1820 2	PS401645	25RPL SLIP		
CSH82020	S 1822 2	PS401653	PS40 16 61		
CSH82023	S 1812 2	PS401655	25RPL SLIP		
DC16N	SE RUR25 2	PS481610	PS48 16 1		
DC17N2	DC17N	PS48165	18N 40 191		
DC72N4	SE RUR25 1	PS48166	18N 40 201		
DC72NBULK	DC72N	R102701SF	R10270 SF		
DCR221BULK	DCR22 1	R102702SF	R10270 SF		
DEFR252BULK	DEFR25 2	R279X	M279X		
DEFR341BULK	DEFR34 1	R279XBULK	M279X		
DEFR383BULK	DEFR38 3	R280X	M280X		
DEFR405BULK	DEFR40 5	R280XBULK	M280X		
DEFR441BULK	DEFR44 1	R281XBULK	M281X		
DEFR4716	2297K6303	R3R26057	R3R 26 57		
DEFR535	DEFR53 4	R407X	M407X		
DEFR613	DEFR61 1	R407XBULK	M407X		
GCP279X	CP279X	R674X	M674X		
GCP280X	CP280X	R675X	M675X		
GCP281X	CP281X	R676XBULK	M676X		
GCP407X	CP407X	R677X	M677X		
GCPL6R30	CPL6R 50	R912286	4137268		
GCPL6R50	CPL6R 50	R985001	3260H1984		
HCB101	CB210661 1XSA	REBC148BULK	REBC148		
HCB2	DEFR55 1	RPL LUBE48	RPL LUBE 65		
HCB205	CB210661 1XSA	RT314108DOM	RT 3 14 108		
KIT2025RPL	KIT RPL 25 20	RT31472DOM	RT 3 14 72		

How to use this listing:

Look for one digit at a time until you find the part number you wish to interchange. The listing is in alphanumeric sequence and numbers have precedence over letters. Dashes and spaces should be ignored.

EXAMPLES:

1-6301	would be followed by
16-74-101	would be followed by
5-7000X	would be followed by
D2C	would be followed by
N10270-SF	

NOTE:

This cross reference has been carefully researched to make it as accurate as possible. However, we cannot guarantee that it is completely and perfectly accurate. To be certain, compare the information in this cross reference to the appropriate catalog pages and double check for part dimensions and application information. Use this cross reference as a guide only. If you are not sure which part to use, always follow the vehicle manufacturer's specifications.

CROSS REFERENCE LISTING

PART#	COMPETITOR	MERITOR#	PART#	COMPETITOR	MERITOR#
10-2-29	Dana/Spicer	10N-2-29	15-279X	Dana/Spicer	CP279X
10270-1SF	Dana/Spicer	R10270-SF	15-280X	Dana/Spicer	CP280X
10270-2SF	Dana/Spicer	R10270-SF	15-281X	Dana/Spicer	CP281X
10270-5729	Dana/Spicer	R10270-SF	15-407X	Dana/Spicer	CP407X
10-3-122X	Dana/Spicer	10N-3-122X	15-674X	Dana/Spicer	CP674X
10-3-12X	Dana/Spicer	10N-3-12X	15-675X	Dana/Spicer	CP675X
10-3-162X	Dana/Spicer	10N-3-162X	15-676X	Dana/Spicer	CP676X
10-3-163X	Dana/Spicer	10N-3-163X	15-677X	Dana/Spicer	CP677X
10-3-183X	Dana/Spicer	10N-3-183X	16-30-62-10800	Dana/Spicer	RT-2-14-108
10-3-18KX	Dana/Spicer	10N-3-18KX	16-30-62-74	Dana/Spicer	RT-2-14-72
10-3-22X	Dana/Spicer	10N-3-22X	16-30-62-7400	Dana/Spicer	RT-2-14-72
10-3-23X	Dana/Spicer	10N-3-23X	170-4-2411X	Dana/Spicer	170N-4-241-1X
10-32-92-108	Dana/Spicer	RT-125-11-108	170-4-2611X	Dana/Spicer	170N-4-261-1X
10-32-92-10800	Dana/Spicer	RT-125-11-108	170-4-521-1X	Dana/Spicer	170TYS44-1A
10-32-92-5400	Dana/Spicer	RT-125-11-72	170-4-5611	Dana/Spicer	170N-4-561-1
10-3-32X	Dana/Spicer	10N-3-32X	170-4-581-1X	Dana/Spicer	170TYS38-3A
10-3-33X	Dana/Spicer	10N-3-33X	170-4-591-1X	Dana/Spicer	170TYS38-3A1
10-3-81X	Dana/Spicer	10N-3-81X	170-4-611-1X	Dana/Spicer	170TYS38-1A
10-3-83X	Dana/Spicer	10N-3-83X	170-4-6411	Dana/Spicer	170TYS32-2
10-4-103	Dana/Spicer	10N-4-103	170-4-661-1	Dana/Spicer	170TYS32-1
10-4-113	Dana/Spicer	10N-4-113	170-4-671-1X	Dana/Spicer	170TYS32-1A
10-4-12	Dana/Spicer	10N-4-12	170-4-691-1X	Dana/Spicer	170TYS32-1A2
10-4-123	Dana/Spicer	10N-4-123	170-4-711-1X	Dana/Spicer	170TYS38-4A
10-4-13	Dana/Spicer	10N-4-13	170-4-721-1X	Dana/Spicer	170TYS38-4A
10-4-133	Dana/Spicer	10N-4-133	170-4-741-1X	Dana/Spicer	170TYS38-2A
10-4-139	Dana/Spicer	10N-4-139	170-70-18X	Dana/Spicer	170N-70-18X
10-4-143	Dana/Spicer	10N-4-143	20-30-12-108	Dana/Spicer	RT-25-16-108
10-4-173	Dana/Spicer	10N-4-173	20-30-12-10800	Dana/Spicer	RT-25-16-108
10-4-183	Dana/Spicer	10N-4-183	20-30-12-74	Dana/Spicer	RT-25-16-72
10-4-193	Dana/Spicer	10N-4-193	20-30-12-7400	Dana/Spicer	RT-25-16-72
10-4-22	Dana/Spicer	10N-4-22	20-30-22-108	Dana/Spicer	RT-25-14-108
10-4-23	Dana/Spicer	10N-4-23	20-30-22-10800	Dana/Spicer	RT-25-14-108
10-4-282	Dana/Spicer	10N-4-282	20-30-22-74	Dana/Spicer	RT-25-14-72
10-4-32	Dana/Spicer	10N-4-32	20-30-22-7400	Dana/Spicer	RT-25-14-72
10-4-43	Dana/Spicer	10N-4-43	210084-2X	Dana/Spicer	CB210084-2X
10-4-481	Dana/Spicer	10N-4-481	210088-1X	Dana/Spicer	CB210088-1X
10-4-52	Dana/Spicer	10N-4-52	210090-1X	Dana/Spicer	CB210090-1X
10-4-53	Dana/Spicer	10N-4-53	210121-1X	Dana/Spicer	CB210121-1XSA
10-4-573	Dana/Spicer	10N-4-573	210130-1X	Dana/Spicer	CB210207-1X
10-4-63	Dana/Spicer	10N-4-63	210140-1X	Dana/Spicer	CB210140-1X
10-4-73	Dana/Spicer	10N-4-73	210144-1X	Dana/Spicer	CB210144-1X
10-4-83	Dana/Spicer	10N-4-83	210207-1X	Dana/Spicer	CB210207-1X
10-4-911SX	Dana/Spicer	10N-4-961SX	210367-1X	Dana/Spicer	CB210367-1X
10-4-93	Dana/Spicer	10N-4-93	210370-1X	Dana/Spicer	CB210370-1X
10-4-961SX	Dana/Spicer	10N-4-961SX	210391-1X	Dana/Spicer	CB210391-1X
10-4-971SX	Dana/Spicer	10N-4-961SX	210391-1X	Dana/Spicer	GCB210391-1X
110-30-5-10000	Dana/Spicer	RT-472-197-108	210433-1X	Dana/Spicer	CB210433-1X
110-30-5-7300	Dana/Spicer	RT-472-197-72	210527X	Dana/Spicer	CB210527X
120-30-3-7300	Dana/Spicer	RT-496-118-72	210660-1X	Dana/Spicer	CB210661-1XSA
120-30-4-10000	Dana/Spicer	RT-5059-167-108	210661-1X	Dana/Spicer	CB210661-1XSA
120-30-4-7300	Dana/Spicer	RT-5059-167-72	210866-1X	Dana/Spicer	CB210866-1X
120-30-5-7300	Dana/Spicer	RT-5118-197-72	210873-1X	Dana/Spicer	CB210873-1X
120-30-6-10000	Dana/Spicer	RT-5197-236-108	210875-1X	Dana/Spicer	CB210875-1XSA
120-30-6-7300	Dana/Spicer	RT-5197-236-72	210881-1X	Dana/Spicer	CB310012-1XSA
140-4-2311X	Dana/Spicer	A-3260B1874	211016X	Dana/Spicer	CB211016X
14-30-12-108	Dana/Spicer	RT-175-16-108	211187X	Dana/Spicer	CB211187X
14-30-12-10800	Dana/Spicer	RT-175-16-108	211355X	Dana/Spicer	131N-CV82-HD
14-30-52-108	Dana/Spicer	RT-175-14-108	212214X	Dana/Spicer	KT17SB
14-30-52-10800	Dana/Spicer	RT-175-14-108	2-20-1701	Dana/Spicer	131N-40-1701

CROSS REFERENCE LISTING

PART#	COMPETITOR	MERITOR#	PART#	COMPETITOR	MERITOR#
2-2-1049	Dana/Spicer	121N-2-1049	231102	Dana/Spicer	DEFR50-4
22-30-22-108	Dana/Spicer	RT-275-14-108	231179	Dana/Spicer	DEFR54-1
22-30-22-10800	Dana/Spicer	RT-275-14-108	231206	Dana/Spicer	DEFR40-4
2-2-329	Dana/Spicer	131N-2-329	2-3-128KX	Dana/Spicer	131N-3-128KX
2-2-349	Dana/Spicer	131N-2-349	231359	Dana/Spicer	DEFR50-7
2-2-479	Dana/Spicer	131N-2-479	231599	Dana/Spicer	DEFR47-13
2-2-579	Dana/Spicer	131N-2-579	231616	Dana/Spicer	DEFR62-1
2-26-367	Dana/Spicer	131N-26-497	231750	Dana/Spicer	DEFR48-6
2-26-427	Dana/Spicer	131N-26-497	231803	Dana/Spicer	DEFR56-7
2-28-1177	Dana/Spicer	133N-28-1177	2-3-4441KX	Dana/Spicer	131N-3-4441KX
2-28-1697	Dana/Spicer	133N-28-1697	2-3-4681KX	Dana/Spicer	133N-3-7961KX
2-28-1707	Dana/Spicer	133N-28-1707	2-3-4951KX	Dana/Spicer	131N-3-7981KX
2-28-1717	Dana/Spicer	133N-28-1717	2-3-5221KX	Dana/Spicer	131N-3-8001KX
2-28-1747X	Dana/Spicer	131N-28-2957X	2-3-5221X	Dana/Spicer	131N-3-8001KX
2-28-1757	Dana/Spicer	131N-28-1757	2-3-5821X	Dana/Spicer	131N-3-8021KX
2-28-1777X	Dana/Spicer	131N-28-2947X	2-3-6061KX	Dana/Spicer	131N-3-6061KX
2-28-277	Dana/Spicer	131N-28-277	2-3-7171KX	Dana/Spicer	131N-3-7171KX
2-28-2947X	Dana/Spicer	131N-28-2947X	2-3-7481KX	Dana/Spicer	133N-3-8041KX
2-28-2957X	Dana/Spicer	131N-28-2957X	2-3-7481X	Dana/Spicer	133N-3-8041KX
2-28-307	Dana/Spicer	131N-28-307	2-3-7681KX	Dana/Spicer	133N-3-7681KX
2-28-327	Dana/Spicer	131N-28-327	2-3-7961KX	Dana/Spicer	133N-3-7961KX
2-28-357	Dana/Spicer	131N-28-357	2-3-7981KX	Dana/Spicer	131N-3-7981KX
2-28-367	Dana/Spicer	131N-28-367	2-3-8001KX	Dana/Spicer	131N-3-8001KX
2-28-397	Dana/Spicer	131N-28-397	2-3-8021KX	Dana/Spicer	131N-3-8021KX
2-28-417	Dana/Spicer	131N-28-417	2-3-8041KX	Dana/Spicer	133N-3-8041KX
2-28-427	Dana/Spicer	131N-28-427	2-3-8861X	Dana/Spicer	121N-3-8861KX
2-28-437	Dana/Spicer	131N-28-437	2-3-8961X	Dana/Spicer	121N-3-8961KX
2-2-899	Dana/Spicer	121N-2-899	2-40-1031	Dana/Spicer	131N-40-1031
2-2-939	Dana/Spicer	131N2-939	2-40-1221	Dana/Spicer	131N-40-1221
230104	Dana/Spicer	DEFR22-4	2-40-1231	Dana/Spicer	131N-40-1231
230118	Dana/Spicer	DEFR33-1	2-40-1291	Dana/Spicer	131N-40-1291
230121	Dana/Spicer	DEFR22-5	2-40-1521	Dana/Spicer	131N-40-1521
230123-6	Dana/Spicer	WAR21-1	2-40-1701	Dana/Spicer	131N-40-1701
230124	Dana/Spicer	DEFR37-1	2-40-1711	Dana/Spicer	131N-40-1711
230141	Dana/Spicer	DEFR28-4	2-40-1741	Dana/Spicer	121N-40-1741
230151	Dana/Spicer	DEFR41-1	2-40-1771	Dana/Spicer	131N-40-1771
230166	Dana/Spicer	DEFR35-1	2-40-1811	Dana/Spicer	131N-40-1811
230207	Dana/Spicer	DEFR40-5	2-40-1851	Dana/Spicer	131N-40-1851
230208	Dana/Spicer	DEFR25-2	2-40-1871	Dana/Spicer	131N-40-1871
230209	Dana/Spicer	DEFR25-1	2-40-2051	Dana/Spicer	131N-40-2051
230363	Dana/Spicer	DEFR28-3	2-40-2211	Dana/Spicer	121N-40-2211
230386	Dana/Spicer	DEFR38-3	2-40-2301	Dana/Spicer	121N-40-2301
230746	Dana/Spicer	DEFR55-1	24-30-12-108	Dana/Spicer	RT-3-13-108
230794	Dana/Spicer	DEFR47-6	24-30-12-10800	Dana/Spicer	RT-3-13-108
230795	Dana/Spicer	DEFR47-4	24-30-12-74	Dana/Spicer	RT-3-13-72
230897	Dana/Spicer	DEFR43-1	24-30-12-7400	Dana/Spicer	RT-3-13-72
230900	Dana/Spicer	DEFR44-1	24-30-32-10800	Dana/Spicer	RT-3-16-108
230902	Dana/Spicer	DEFR65-1	24-30-32-74	Dana/Spicer	RT-3-16-72
230909	Dana/Spicer	DEFR42-1	24-30-32-7400	Dana/Spicer	RT-3-16-72
230910	Dana/Spicer	DEFR47-5	24-30-42-108	Dana/Spicer	RT-3-14-108
230921	Dana/Spicer	DEFR50-2	24-30-42-10800	Dana/Spicer	RT-3-14-108
231000	Dana/Spicer	DEFR25-4	24-30-42-74	Dana/Spicer	RT-3-14-72
231004	Dana/Spicer	DEFR34-1	24-30-42-7400	Dana/Spicer	RT-3-14-72
231013	Dana/Spicer	DEFR55-2	24-32-142-108	Dana/Spicer	RT-3-11-108
231022	Dana/Spicer	DEFR48-5	24-32-142-10800	Dana/Spicer	RT-3-11-108
231028	Dana/Spicer	DEFR48-2	24-32-142-74	Dana/Spicer	RT-3-11-72
231047	Dana/Spicer	DEFR56-2	24-32-142-7400	Dana/Spicer	RT-3-11-72
2-3-10621KX	Dana/Spicer	131N-3-7260KX	2-4-473	Dana/Spicer	131N-4-473
231101	Dana/Spicer	DEFR47-7	2-4-503	Dana/Spicer	131N-4-503

CROSS REFERENCE LISTING

PART#	COMPETITOR	MERITOR#	PART#	COMPETITOR	MERITOR#
2-4-533	Dana/Spicer	131N-4-533	3-28-647	Dana/Spicer	148N-28-547
2-4-783	Dana/Spicer	131N-4-783	3-28-97	Dana/Spicer	141N-28-97
250-4-291-1X	Dana/Spicer	250TYS38-1A	3-3-118KX	Dana/Spicer	141N-3-118KX
250-70-18X	Dana/Spicer	250N-70-18X	3-3-1481KX	Dana/Spicer	141N-3-1481KX
2-53-491	Dana/Spicer	131N-53-491	3-3-1501KX	Dana/Spicer	135N-3-1501KX
2-53-711	Dana/Spicer	131N-53-711	3-3-1561KX	Dana/Spicer	135N-3-1561KX
26-30-22-108	Dana/Spicer	RT-45-3-108	3-3-1601KX	Dana/Spicer	148N-3-1601KX
26-30-22-10800	Dana/Spicer	RT-45-3-108	3-3-1641KX	Dana/Spicer	148N-3-1641KX
28-30-22-108	Dana/Spicer	RT-35-13-108	3-3-2041KX	Dana/Spicer	141N-3-2041KX
28-30-22-10800	Dana/Spicer	RT-35-13-108	3-3-2471KX	Dana/Spicer	135N-3-2471KX
28-30-22-74	Dana/Spicer	RT-35-13-72	3-3-488KX	Dana/Spicer	135N-3-488KX
28-30-22-7400	Dana/Spicer	RT-35-13-72	3-3-508KX	Dana/Spicer	141N-3-508KX
28-30-42-108	Dana/Spicer	RT-35-16-108	3-3-598KX	Dana/Spicer	135N-3-598KX
28-30-42-10800	Dana/Spicer	RT-35-16-108	3-3-758KX	Dana/Spicer	135N-3-758KX
28-30-42-72	Dana/Spicer	RT-35-16-72	3-3-788KX	Dana/Spicer	141N-3-788KX
28-30-42-7200	Dana/Spicer	RT-35-16-72	3-40-1561	Dana/Spicer	135N-40-1561
28-30-52-108	Dana/Spicer	RT-35-156-108	3-401571	Dana/Spicer	148N-40-1571
28-30-52-10800	Dana/Spicer	RT-35-156-108	3-40-971	Dana/Spicer	148N-40-1571
28-30-52-74	Dana/Spicer	RT-35-156-72	3-4-10461-1X	Dana/Spicer	141N-4-10461-1X
28-30-52-7400	Dana/Spicer	RT-35-156-72	3-4-10471-1X	Dana/Spicer	148N-4-10471-1X
28-30-62-108	Dana/Spicer	RT-35-14-108	3-4-10471X	Dana/Spicer	148N-4-10471-1X
28-30-62-10800	Dana/Spicer	RT-35-14-108	3-4-1841	Dana/Spicer	141N-4-1841
28-30-62-74	Dana/Spicer	RT-35-14-72	3-4-3061	Dana/Spicer	148N-4-3061
28-30-62-7400	Dana/Spicer	RT-35-14-72	3-4-3091	Dana/Spicer	148N-4-3091
28-30-92-10800	Dana/Spicer	RT-35-10-108	3-4-3191	Dana/Spicer	148N-4-3571
28-30-92-74	Dana/Spicer	RT-35-10-72	3-4-3781	Dana/Spicer	148N-4-3781
28-30-92-7400	Dana/Spicer	RT-35-10-72	3-4-3861	Dana/Spicer	148N-4-3861
2-94-28X	Dana/Spicer	KT116	3-4-4421X	Dana/Spicer	148N-4-4421X
2-94-58X	Dana/Spicer	KT116	3-4-6221X	Dana/Spicer	148N-4-3781
3-2-119	Dana/Spicer	135N-2-119	3-4-6561	Dana/Spicer	141N-4-6561
3-2-159	Dana/Spicer	141N-2-159	3-4-6631X	Dana/Spicer	141N-4-6631X
32-20-22-74	Dana/Spicer	RT-4-14-72	3-4-7151	Dana/Spicer	141NYS24-4
32-20-22-7400	Dana/Spicer	RT-4-14-72	3-4-7541	Dana/Spicer	148N-4-8051-1X
32-30-12-10000	Dana/Spicer	RT4-13-108	3-4-8051-1X	Dana/Spicer	148N-4-8051-1X
32-30-12-7400	Dana/Spicer	RT-4-13-72	35-30-22-74	Dana/Spicer	RT-45-3-72
32-30-22-108	Dana/Spicer	RT-4-14-108	35-30-22-7400	Dana/Spicer	RT-45-3-72
32-30-22-10800	Dana/Spicer	RT-4-14-108	3-53-1031	Dana/Spicer	141N-53-1031
32-30-22-7400	Dana/Spicer	RT-4-14-72	3-53-1081	Dana/Spicer	141N-53-1081
32-30-52-108	Dana/Spicer	RT-4-10-108	3-53-1181	Dana/Spicer	135N-53-1181
32-30-52-10800	Dana/Spicer	RT-4-10-108	3-53-1181-1	Dana/Spicer	135N-53-1181-1
32-30-52-74	Dana/Spicer	RT-4-10-72	3-53-1181-2	Dana/Spicer	135N-53-1181-2
32-30-52-7400	Dana/Spicer	RT-4-10-72	3-53-1351	Dana/Spicer	135N-53-1351
32-30-72-10000	Dana/Spicer	RT-4095-7-108	3-53-1361	Dana/Spicer	141N-53-1361
32-30-72-108	Dana/Spicer	RT-4095-7-108	3-53-1371	Dana/Spicer	141N-53-1371
32-30-72-10800	Dana/Spicer	RT-4095-7-108	3-53-151	Dana/Spicer	135N-53-1351
32-30-72-7300	Dana/Spicer	RT-4095-7-72	3-53-341	Dana/Spicer	148N-53-451
32-30-72-74	Dana/Spicer	RT-4095-7-72	3-53-431	Dana/Spicer	148N-53-431
32-30-72-7400	Dana/Spicer	RT-4095-7-72	3-53-451	Dana/Spicer	148N-53-451
3-2-429	Dana/Spicer	141N-2-429	36-20-22-10800	Dana/Spicer	RT-45-3-108
3-2-479	Dana/Spicer	148N-2-479	36-30-102-10000	Dana/Spicer	RT-459-7-108
3-28-367	Dana/Spicer	141N-28-367	36-30-12-108	Dana/Spicer	RT-45-13-108
3-28-427	Dana/Spicer	135N-28-427	36-30-12-10800	Dana/Spicer	RT-45-13-108
3-28-47	Dana/Spicer	135N-28-47	36-30-12-74	Dana/Spicer	RT-45-13-72
3-28-507	Dana/Spicer	148N-28-507	36-30-12-7400	Dana/Spicer	RT-45-13-72
3-28-537	Dana/Spicer	148N-28-537	36-30-22-10800	Dana/Spicer	RT-45-3-108
3-28-547	Dana/Spicer	148N-28-547	36-30-22-74	Dana/Spicer	RT-45-3-72
3-28-557	Dana/Spicer	141N-28-557	36-30-22-7400	Dana/Spicer	RT-45-3-72
3-28-567	Dana/Spicer	148N-28-567	36-30-62-10800	Dana/Spicer	RT-45-10-108
3-28-57	Dana/Spicer	135N-28-57	36-30-62-7400	Dana/Spicer	RT-45-10-72
3-28-572	Dana/Spicer	135N-28-57-2	36-32-12-10800	Dana/Spicer	RT-45-187-108

CROSS REFERENCE LISTING

PART#	COMPETITOR	MERITOR#	PART#	COMPETITOR	MERITOR#
36-32-12-7400	Dana/Spicer	RT-45-187-72	5-160X	Dana/Spicer	CP160X
3-70-28X	Dana/Spicer	KT122	5-160XU	Dana/Spicer	CP160X
3-70-38X	Dana/Spicer	KT124	5-165X	Dana/Spicer	CP165X
3-70-99	Dana/Spicer	REBC148-2	5-170X	Dana/Spicer	CP170X
3-7-89	Dana/Spicer	RR-IR24-2	5-177X	Dana/Spicer	CP280X
3-94-18X	Dana/Spicer	KT117	5-177X	Dana/Spicer	M280X
3-94-28X	Dana/Spicer	KT118	5-178X	Dana/Spicer	CP178X
4-2-669	Dana/Spicer	155N-2-669	5-178XU	Dana/Spicer	CP178X
4-28-307	Dana/Spicer	155N-28-307	5-188X	Dana/Spicer	CP188X
4-28-417	Dana/Spicer	155NY53-5	5-200X	Dana/Spicer	CP153X
4-3-1241KX	Dana/Spicer	155N-3-1241X	5-2011X	Dana/Spicer	CP2011X
4-40-461	Dana/Spicer	155N-40-761	5-2031X	Dana/Spicer	CP2031
4-40-481	Dana/Spicer	50NPS28-45	5-2033X	Dana/Spicer	CP2033
4-40-591	Dana/Spicer	155N-40-721	5-2116X	Dana/Spicer	CP2116
4-40-721	Dana/Spicer	155N-40-721	5-213X	Dana/Spicer	CP213X
4-4-1891	Dana/Spicer	155N-4-1891	5-2140X	Dana/Spicer	CP2140
4-4-1901	Dana/Spicer	155N-4-1901	5-2-279	Dana/Spicer	16N2-279
4-4-2051	Dana/Spicer	155N-4-2051	5-242X	Dana/Spicer	GCP242X
4-4-3581X	Dana/Spicer	155N-4-1901	5-243X	Dana/Spicer	GCP243X
4-4-4071-1X	Dana/Spicer	155TYS31A	5-248X	Dana/Spicer	CP248X
4-4-4101	Dana/Spicer	155N-4-4101	5-252	Dana/Spicer	CP153X
4-4-4101-2	Dana/Spicer	155DYS28-1A	5-260X	Dana/Spicer	CP260X
4-4-4111X	Dana/Spicer	155NYS28-5A	5-2-629	Dana/Spicer	16N-2-629
4-4-4211	Dana/Spicer	155N-4-4211	5-279X	Dana/Spicer	CP279X
4-4-5551-1	Dana/Spicer	155TYS28-15	5-279X	Dana/Spicer	M279X
4-4-5611-1X	Dana/Spicer	155N-4-5611-1X	5-280X	Dana/Spicer	CP280X
4-4-5691-1X	Dana/Spicer	155N-4-5691-1X	5-280X	Dana/Spicer	M280X
4-4-6831-1X	Dana/Spicer	155N-4-5691-1X	5-280Y	Dana/Spicer	M280X
4-53-261	Dana/Spicer	BS-S24-60A	5-28-167	Dana/Spicer	16N-28-167
4-53-61	Dana/Spicer	155N-53-61	5-281X	Dana/Spicer	CP281X
4-53-71	Dana/Spicer	BS-S24-53A	5-281X	Dana/Spicer	M281X
5003323	Dana/Spicer	CB210661-1XSA	5-28-207	Dana/Spicer	16N-28-207
5003323XB	Dana/Spicer	CB210661-1XSA	5-28-217	Dana/Spicer	16N-28-167
5003326	Dana/Spicer	CB210875-1XSA	5-28-407	Dana/Spicer	16N-28-207
5003553	Dana/Spicer	17TYS38-76A2	5-28-627	Dana/Spicer	16N-28-627
5003560	Dana/Spicer	140TYS38A	5-28-667	Dana/Spicer	16N-28-887
5003560	Dana/Spicer	250TYS38-2A	5-297-1X	Dana/Spicer	CP297-1X
5006852-3	Dana/Spicer	BLWP22-1	5-297X	Dana/Spicer	CP297X
5-100X	Dana/Spicer	CP105X	5-3000X	Dana/Spicer	CP3000
5-101X	Dana/Spicer	CP101X	5-3008X	Dana/Spicer	CP3147X
5-103X	Dana/Spicer	CP103X	5-3009X	Dana/Spicer	CP3147X
5-105X	Dana/Spicer	CP105X	5-3012X	Dana/Spicer	CP3012
5-111X	Dana/Spicer	CP111X	5-3022X	Dana/Spicer	CP3022X
5-115X	Dana/Spicer	CP115X	5-306X	Dana/Spicer	M280X
5-1200X	Dana/Spicer	CP1200X	5-3-128KX	Dana/Spicer	16N-3-128X-MXL
5-1201X	Dana/Spicer	CP1201X	5-3-1411KX	Dana/Spicer	16N-3-1411X-MXL
5-1203	Dana/Spicer	CP1203X	5-3147X	Dana/Spicer	CP3147X
5-1204X	Dana/Spicer	CP1204X	5-3-2261KX	Dana/Spicer	16N-3-2261X-MXL
5-1205X	Dana/Spicer	CP1205X	5-324X	Dana/Spicer	CP18N-96
5-1206X	Dana/Spicer	CP141N	5-3-288KX	Dana/Spicer	16N-3-288X-MXL
5-124X	Dana/Spicer	CP124X	5-332X	Dana/Spicer	CP332X
5-129X	Dana/Spicer	CP279X	5-353X	Dana/Spicer	CP353X
5-1301X	Dana/Spicer	CP1301X	5-354X	Dana/Spicer	CP354X
5-1306-1X	Dana/Spicer	CP1306-1X	5-357X	Dana/Spicer	CP357X
5-1306X	Dana/Spicer	CP1306X	5-4002X	Dana/Spicer	CP4002
5-134X	Dana/Spicer	CP134X	5-40-1011	Dana/Spicer	16N-40-1011
5-153X	Dana/Spicer	CP153X	5-4014X	Dana/Spicer	CP4102
5-155X	Dana/Spicer	CP155N	5-40-741	Dana/Spicer	16N-40-1011
5-155X	Dana/Spicer	CP155X	5-407X	Dana/Spicer	CP407X
5-158X	Dana/Spicer	CP155N	5-407X	Dana/Spicer	M407X

CROSS REFERENCE LISTING

PART#	COMPETITOR	MERITOR#	PART#	COMPETITOR	MERITOR#
5-4-1051	Dana/Spicer	16N-4-1051	5-469X	Dana/Spicer	CP677X
5-4123X	Dana/Spicer	CP4101	5-469X	Dana/Spicer	M677X
5-4138X	Dana/Spicer	CP4002	5-4-7171-1	Dana/Spicer	16TYS28-63
5-4143X	Dana/Spicer	CP4143X	5-4-7331-1	Dana/Spicer	16N-4-7331-1
5-4-1631	Dana/Spicer	16N-4-1631	5-4-7341-1X	Dana/Spicer	16N-4-7341-1X
5-4-1721	Dana/Spicer	16N-4-1721	5-5000X	Dana/Spicer	CP5122
5-4-1721-1	Dana/Spicer	16N-4-1721-1	5-5008X	Dana/Spicer	CP5008
5-4-1931	Dana/Spicer	16N-4-1931	5-5015X	Dana/Spicer	CP5015
5-4-2051	Dana/Spicer	16N-4-1051	5-510X	Dana/Spicer	CP676X
5-4-2081	Dana/Spicer	16N-4-2081	5-5121X	Dana/Spicer	CP5101
5-4-2411	Dana/Spicer	16N-4-3681	5-515X	Dana/Spicer	CP675X
5-4-31	Dana/Spicer	16N-4-1931	5-5177X	Dana/Spicer	CP5177
5-4-3311	Dana/Spicer	16N-4-3321	5-527X	Dana/Spicer	CP527X
5-4-3321	Dana/Spicer	16N-4-3321	5-53-141	Dana/Spicer	16N-53-141
5-4-3601X	Dana/Spicer	16N-4-3601X	5-541	Dana/Spicer	CP541X
5-4-3621	Dana/Spicer	16N-4-3621	5-5800X	Dana/Spicer	CP58WB-HWD
5-4-3681	Dana/Spicer	16N-4-3681	5-5801X	Dana/Spicer	CP58WB-DWT
5-4-3861	Dana/Spicer	16N-4-3861	5-5802X	Dana/Spicer	CP58WB-HB
5-438X	Dana/Spicer	R674X	5-6000X	Dana/Spicer	CP62N-DWT
5-4-4401	Dana/Spicer	16N-4-4401	5-6102X	Dana/Spicer	CP62N-HB
5-4-4441X	Dana/Spicer	16N-4-4441X	5-6106X	Dana/Spicer	CP62N-HWD
5-4-4451X	Dana/Spicer	16N-4-4451X	5-6108X	Dana/Spicer	CP62N-50
5-4-4471	Dana/Spicer	16N-4-4471	5-6109X	Dana/Spicer	CP62N-51
5-4-4481	Dana/Spicer	16N-4-4481	5-674X	Dana/Spicer	M674X
5-4-4551	Dana/Spicer	16N-4-4551	5-674X	Dana/Spicer	R674X
5-4-4741	Dana/Spicer	16NYS36-7	5-675X	Dana/Spicer	M675X
5-4-4761X	Dana/Spicer	16N-4-4761X	5-676X	Dana/Spicer	M676X
5-4-4841-1X	Dana/Spicer	16N-4-4841-1X	5-677X	Dana/Spicer	M677X
5-4-4891X	Dana/Spicer	16N-4-6251	5-7000X	Dana/Spicer	CP72N-DWT
5-4-4961-1	Dana/Spicer	16N-4-3321	5-70-28X	Dana/Spicer	KT16SB
5-4-5081X	Dana/Spicer	16N-4-5081X	5-7105X	Dana/Spicer	CP72N-HWD
5-4-5111X	Dana/Spicer	16N-4-2081	5-7202X	Dana/Spicer	CP72N-HB
5-4-5441	Dana/Spicer	16N-4-5441	5-73-109	Dana/Spicer	S-155B-2
5-4-5451X	Dana/Spicer	16N-4-6961X	5-8105X	Dana/Spicer	CP82N-HWD
5-4-5571	Dana/Spicer	16N-4-5571	5-8200X	Dana/Spicer	CP82N-DWT
5-4-5571-1	Dana/Spicer	16N-4-5571-1	5-8200X	Dana/Spicer	CP85WB-DWT
5-4-5621-1X	Dana/Spicer	16TYS28-13A	5-8202X	Dana/Spicer	CP82N-HB
5-4-5621X	Dana/Spicer	16N-4-5621X	5-9000X	Dana/Spicer	CP92N-DWT
5-4-5721	Dana/Spicer	16N-4-5721	5-9001X	Dana/Spicer	CP92N-HWD
5-4-5731	Dana/Spicer	16N-4-5731	5-9002X	Dana/Spicer	CP92N-HB
5-4-5741	Dana/Spicer	16N-4-5741	5-92X	Dana/Spicer	CPL6R-50
5-4-5751	Dana/Spicer	16N-4-5751	6.3-28-17	Dana/Spicer	176N-28-17
5-4-5881	Dana/Spicer	16NYS32-43	6.3-3-11	Dana/Spicer	176N-3-21X-MXL
5-4-5981	Dana/Spicer	16N-4-5981	6.3-3-21KX	Dana/Spicer	176N-3-21X-MXL
5-4-5991X	Dana/Spicer	16N-4-5991X	6.3-3-41KX	Dana/Spicer	176N-3-41X-MXL
5-4-6241	Dana/Spicer	16N-4-6241	6.3-4-101-1	Dana/Spicer	176N-4-211-1X
5-4-6251	Dana/Spicer	16N-4-6251	6.3-4-1031	Dana/Spicer	176NYS38-14
5-4-6271	Dana/Spicer	16N-4-6271	6.3-4-1041-1X	Dana/Spicer	176N-4-1041-1X
5-4-6271-1	Dana/Spicer	16N-4-6271-1	6.3-4-1041-1X	Dana/Spicer	176TYS38-27A
5-4-6281X	Dana/Spicer	16N-4-6281X	6.3-4-1041-1X	Dana/Spicer	176TYS38-27A2
5-4-6291-1X	Dana/Spicer	16TYS32-76A	6.3-4-1041X	Dana/Spicer	176N-4-1041X
5-4-6291X	Dana/Spicer	16N-4-6291X	6.3-4-11	Dana/Spicer	176N-4-791X
5-4-6321	Dana/Spicer	16N-4-6321	6.3-4-1161-1X	Dana/Spicer	176N-4-1161-1X
5-4-6321-1	Dana/Spicer	16N-4-6321-1	6.3-4-1161X	Dana/Spicer	176N-4-1161X
5-4-6421-1	Dana/Spicer	16N-4-6421-1	6.3-4-121	Dana/Spicer	176N-4-121
5-4-6431-1X	Dana/Spicer	16N-4-6431-1X	6.3-4-1281-1X	Dana/Spicer	176TYS38-10A1
5-4-6441-1X	Dana/Spicer	16TYS32-86A	6.3-4-1391-1X	Dana/Spicer	176TYS38-11A
5-4-6891X	Dana/Spicer	16N-4-6891X	6.3-4-1481-1X	Dana/Spicer	176N-4-1481-1X
5-4-6951X	Dana/Spicer	16N-4-6951X	6.3-4-151	Dana/Spicer	176N-4-151
5-4-6961X	Dana/Spicer	16N-4-6961X	6.3-4-161	Dana/Spicer	176N-4-161

CROSS REFERENCE LISTING

PART#	COMPETITOR	MERITOR#	PART#	COMPETITOR	MERITOR#
6.3-4-161	Dana/Spicer	176NYS38-4	6.5-4-2051	Dana/Spicer	18N-4-2051
6.3-4-161-1	Dana/Spicer	176N-4-161-1	6.5-4-2101	Dana/Spicer	18NYS40-5
6.3-4-161B	Dana/Spicer	176N-4-161	6.5-4-2171	Dana/Spicer	18N-4-2171
6.3-4-1681-1	Dana/Spicer	176N-4-1681-1	6.5-4-2171-1	Dana/Spicer	18N-4-2171-1
6.3-4-181X	Dana/Spicer	176N-4-181X	6.5-4-2271X	Dana/Spicer	18N-4-2271X
6.3-4-211-1X	Dana/Spicer	176N-4-211-1X	6.5-4-2291	Dana/Spicer	18N-4-2291
6.3-4-211X	Dana/Spicer	176N-4-211X	6.5-4-2341X	Dana/Spicer	18N-4-2341X
6.3-4-271	Dana/Spicer	176N-4-271	6.5-4-2361X	Dana/Spicer	18N-4-2361X
6.3-4-291-1	Dana/Spicer	176N-4-291-1	6.5-4-2401X	Dana/Spicer	18N-4-2291
6.3-4-321	Dana/Spicer	176N-4-1421	6.5-4-2451X	Dana/Spicer	18N-4-2451X
6.3-4-321-1	Dana/Spicer	176N-4-1421-1	6.5-4-2471	Dana/Spicer	18N-4-3371
6.3-4-331-1X	Dana/Spicer	176N-4-331-1X	6.5-4-2471	Dana/Spicer	18N-4-3381X
6.3-4-331X	Dana/Spicer	176N-4-331X	6.5-4-2481X	Dana/Spicer	18N-4-3371
6.3-4-381	Dana/Spicer	176N-4-381	6.5-4-2491X	Dana/Spicer	18N-4-3381X
6.3-4-391	Dana/Spicer	176N-4-391	6.5-4-2531X	Dana/Spicer	18N-4-2531X
6.3-4-411	Dana/Spicer	176N-4-411	6.5-4-2551X	Dana/Spicer	18N-4-2551X
6.3-4-441	Dana/Spicer	176N-4-441	6.5-4-2581	Dana/Spicer	18N-4-2581
6.3-4-5221-1X	Dana/Spicer	176N-4-5221-1X	6.5-4-2651	Dana/Spicer	18N-4-3201
6.3-4-5221X	Dana/Spicer	176N-4-5221X	6.5-4-2701	Dana/Spicer	18N-4-2701
6.3-4-531	Dana/Spicer	176N-4-531	6.5-4-2711X	Dana/Spicer	18N-4-2711X
6.3-4-531-1	Dana/Spicer	176N-4-531-1	6.5-4-2751	Dana/Spicer	18NYS44-3
6.3-4-541	Dana/Spicer	176N-4-541X	6.5-4-2761X	Dana/Spicer	18N-4-3501X
6.3-4-541-1X	Dana/Spicer	176N-4-541-1X	6.5-4-2781	Dana/Spicer	18N-4-2781
6.3-4-541X	Dana/Spicer	176N-4-541X	6.5-4-2851X	Dana/Spicer	18N-4-1921
6.3-4-641	Dana/Spicer	176NYS38-10	6.5-4-2931X	Dana/Spicer	18N-4-3491
6.3-4-651	Dana/Spicer	176N-4-651	6.5-4-3021	Dana/Spicer	18N-4-3021
6.3-4-651-1	Dana/Spicer	176N-4-651-1	6.5-4-3161	Dana/Spicer	18N-4-3161
6.3-4-711-1	Dana/Spicer	176TYS44-4	6.5-4-3171X	Dana/Spicer	18N-4-3571X
6.3-4-731X	Dana/Spicer	176N-4-731X	6.5-4-3201	Dana/Spicer	18N-4-3201
6.3-4-771-1X	Dana/Spicer	176N-4-771-1X	6.5-4-3221-1X	Dana/Spicer	18N-4-3221-1X
6.3-4-781-1X	Dana/Spicer	176N4-781-1X	6.5-4-3221X	Dana/Spicer	18N-4-3221X
6.3-4-781X	Dana/Spicer	176N-4-781X	6.5-4-3251	Dana/Spicer	18N-4-3251
6.3-4-791-1X	Dana/Spicer	176N-4-791-1X	6.5-4-3261-1	Dana/Spicer	18TYS32-18
6.3-4-791X	Dana/Spicer	176N-4-791X	6.5-4-3281-1X	Dana/Spicer	18N-4-4351-1X
6.3-4-861-1X	Dana/Spicer	176N-4-861-1X	6.5-4-3281X	Dana/Spicer	18N-4-3281X
6.3-4-861X	Dana/Spicer	176N-4-861X	6.5-4-3371	Dana/Spicer	18N-4-3371
6.3-86-18	Dana/Spicer	SE-RUR33-4	6.5-4-3371-1	Dana/Spicer	18N-4-3371-1
6.5-27-9-3813X	Dana/Spicer	18N-27-9-3813X	6.5-4-3381-1X	Dana/Spicer	18N-4-3381-1X
6.5-28-117	Dana/Spicer	18N-28-117	6.5-4-3381-1X	Dana/Spicer	18N-4-4351-1X
6.5-28-127	Dana/Spicer	18N-28-127	6.5-4-3381X	Dana/Spicer	18N-4-3381X
6.5-3-1351KX	Dana/Spicer	18N-3-1351X-MXL	6.5-4-3441	Dana/Spicer	18NYS38-15
6.5-3-1351X	Dana/Spicer	18N-3-1351X-MXL	6.5-4-3451-1	Dana/Spicer	18N-4-3451-1
6.5-3-1371KX	Dana/Spicer	18N-3-1371X-MXL	6.5-4-3461	Dana/Spicer	18NYS44-3
6.5-3-1371X	Dana/Spicer	18N-3-1371X-MXL	6.5-4-3491	Dana/Spicer	18N-4-3491
6.5-3-1431KX	Dana/Spicer	18N-3-1431X	6.5-4-3501X	Dana/Spicer	18N-4-3501X
6.5-40-151	Dana/Spicer	18N-40-201	6.5-4-3551-1X	Dana/Spicer	18N-4-3551-1X
6.5-40-161	Dana/Spicer	18N-40-191	6.5-4-3551X	Dana/Spicer	18N-4-3551X
6.5-40-191	Dana/Spicer	18N-40-191	6.5-4-3561-1X	Dana/Spicer	18N-4-3561-1X
6.5-40-201	Dana/Spicer	18N-40-201	6.5-4-3561X	Dana/Spicer	18N-4-3561X
6.5-4-1891	Dana/Spicer	18N-4-1891	6.5-4-3571X	Dana/Spicer	18N-4-3571X
6.5-4-1891-1	Dana/Spicer	18N-4-1891-1	6.5-4-3581-1X	Dana/Spicer	18N-4-3581-1X
6.5-4-1901	Dana/Spicer	18N-4-3491	6.5-4-3581X	Dana/Spicer	18N-4-3581X
6.5-4-1911	Dana/Spicer	18N-4-1911	6.5-4-3591	Dana/Spicer	18N-4-3591
6.5-4-1921	Dana/Spicer	18N-4-1921	6.5-4-3651X	Dana/Spicer	18NYS38-6A
6.5-4-1961	Dana/Spicer	18N-4-1961	6.5-4-3721	Dana/Spicer	18NYS38-27
6.5-4-1971	Dana/Spicer	18N-4-1971	6.5-4-3731-1X	Dana/Spicer	18N-4-3731-1X
6.5-4-1981	Dana/Spicer	18N-4-1981	6.5-4-3731-1X	Dana/Spicer	18TYS38-27A
6.5-4-1991	Dana/Spicer	18N-4-1991	6.5-4-3731X	Dana/Spicer	18N-4-3731X
6.5-4-2011	Dana/Spicer	18N-4-2011	6.5-4-3911	Dana/Spicer	18NYS38-21
6.5-4-2021	Dana/Spicer	18N-4-2021	6.5-4-3911-1	Dana/Spicer	18N-4-3911-1

CROSS REFERENCE LISTING

PART#	COMPETITOR	MERITOR#	PART#	COMPETITOR	MERITOR#
6.5-4-3921-1X	Dana/Spicer	18N-4-3921-1X	6-4-1911	Dana/Spicer	17N-4-2501
6.5-4-3921X	Dana/Spicer	18N-4-3921X	6-4-1971	Dana/Spicer	17N-4-1971
6.5-4-40111X	Dana/Spicer	18TYS38-15A1	6-4-1981	Dana/Spicer	17N-4-1981
6.5-4-4271-1X	Dana/Spicer	18N-4-4271-1X	6-4-1981-1	Dana/Spicer	17TYSC31-54
6.5-4-4271X	Dana/Spicer	18N-4-4271X	6-4-1991	Dana/Spicer	17N-4-1991
6.5-4-4571-1X	Dana/Spicer	18N-4-4571-1X	6-4-2141	Dana/Spicer	17N-4-2141
6.5-4-4611X	Dana/Spicer	18N-4-4611X	6-4-2151	Dana/Spicer	17N-4-2151
6.5-4-4631	Dana/Spicer	18NYS45	6-4-2171	Dana/Spicer	17N-4-3031
6.5-4-4631-1	Dana/Spicer	18TYS45	6-4-2181	Dana/Spicer	17N-4-2181
6.5-53-171	Dana/Spicer	18N-53-171	6-4-2191	Dana/Spicer	17N-4-2191
6.5-53-51	Dana/Spicer	18N-53-51	6-4-2231	Dana/Spicer	17N-4-3221
6.5-53-91	Dana/Spicer	18N-53-91	6-4-2271	Dana/Spicer	17N-4-2271
6.5-70-18X	Dana/Spicer	KT17SB	6-4-2291	Dana/Spicer	17N-4-3241
6.5-82-461-10	Dana/Spicer	18N-82-461-10	6-4-2311	Dana/Spicer	17N-4-3361
6-1-3881	Dana/Spicer	5WCS40-39	6-4-2361	Dana/Spicer	17N-4-2361
6-27-17-5002X	Dana/Spicer	17NY01TA480	6-4-2371	Dana/Spicer	17N-4-2371
6-27-17-7401X	Dana/Spicer	984-25-2	6-4-238	Dana/Spicer	17NYS28-11
6-2-739	Dana/Spicer	17N-2-739	6-4-2381	Dana/Spicer	17N-4-2381
6-2-749	Dana/Spicer	17NF20	6-4-2391	Dana/Spicer	17N-4-2391
6-28-137	Dana/Spicer	17N-28-137	6-4-2441	Dana/Spicer	17N-4-2441
6-28-17	Dana/Spicer	17N-28-137	6-4-2501	Dana/Spicer	17N-4-2501
6-28-347	Dana/Spicer	17N-28-347	6-4-2511	Dana/Spicer	17N-4-2511
6-28-367	Dana/Spicer	17NY60-15	6-4-3031	Dana/Spicer	17N-4-3031
6-28-87	Dana/Spicer	17N-28-137	6-4-3041X	Dana/Spicer	17N-4-3041X
6-3-1461KX	Dana/Spicer	17N-3-1461X	6-4-3121	Dana/Spicer	17N-4-3291
6-3-158X	Dana/Spicer	17N-3-1461X	6-4-3221	Dana/Spicer	17N-4-3221
6-3-2241KX	Dana/Spicer	17N-3-2631X-MXL	6-4-3221-1X	Dana/Spicer	18N-4-3221-1X
6-3-2261KX	Dana/Spicer	17N-3-2651X-MXL	6-4-3231	Dana/Spicer	17N-4-1991
6-3-2341KX	Dana/Spicer	17N-3-2671X-MXL	6-4-3241	Dana/Spicer	17N-4-3241
6-3-2401KX	Dana/Spicer	17N-3-2401X-MXL	6-4-3291	Dana/Spicer	17N-4-3291
6-3-2551KX	Dana/Spicer	17N-3-2401X-MXL	6-4-3361	Dana/Spicer	17N-4-3361
6-3-2571KX	Dana/Spicer	17N-3-2571X-MXL	6-4-3391	Dana/Spicer	17N-4-3391
6-3-2571X	Dana/Spicer	17N-3-2571X-MXL	6-4-3561X	Dana/Spicer	17N-4-4411X
6-3-2591KX	Dana/Spicer	17NLS40-121A1-	6-4-3611	Dana/Spicer	17N-4-3611
MXL			6-4-3721	Dana/Spicer	17N-4-3721
6-3-2631KX	Dana/Spicer	17N-3-2631X-MXL	6-4-3791	Dana/Spicer	17N-4-3791
6-3-2651KX	Dana/Spicer	17N-3-2651X-MXL	6-4-4091	Dana/Spicer	17N-4-4091
6-3-2671KX	Dana/Spicer	17N-3-2671X-MXL	6-4-4121	Dana/Spicer	17NYS36-19
6-3-2761KX	Dana/Spicer	17N-3-2761X-MXL	6-4-4131	Dana/Spicer	17N-4-4131
6-3-3021KX	Dana/Spicer	17N-3-3021X-MXL	6-4-4141	Dana/Spicer	17N-4-4141
6-3-3061KX	Dana/Spicer	17NLS40-124A1-	6-4-4151	Dana/Spicer	17N-4-4151
MXL			6-4-4161	Dana/Spicer	17NYS34-5
6-3-3441KX	Dana/Spicer	17N-3-2401X-MXL	6-4-4171X	Dana/Spicer	17N-4-2181
6-40-101	Dana/Spicer	17N-40-61	6-4-4181X	Dana/Spicer	17N-4-4181X
6-40-401	Dana/Spicer	17N-40-541	6-4-4191X	Dana/Spicer	17N-4-4411X
6-40-451	Dana/Spicer	17N-40-521	6-4-4291X	Dana/Spicer	17N-4-4291X
6-40-461	Dana/Spicer	17N-40-541	6-4-4301X	Dana/Spicer	17N-4-4301X
6-40-521	Dana/Spicer	17N-40-521	6-4-4361X	Dana/Spicer	17N-4-4361X
6-40-541	Dana/Spicer	17N-40-541	6-4-4371	Dana/Spicer	17N-4-4371
6-40-61	Dana/Spicer	17N-40-61	6-4-4411X	Dana/Spicer	17N-4-4411X
6-4-1081	Dana/Spicer	17N-4-2141	6-4-4421	Dana/Spicer	17N-4-4421
6-4-1151	Dana/Spicer	17N-4-2151	6-4-4481X	Dana/Spicer	17N-4-4481X
6-4-1211	Dana/Spicer	17N-4-1991	6-4-4541	Dana/Spicer	17N-4-5351
6-4-1411	Dana/Spicer	17N-4-3221	6-4-4551	Dana/Spicer	17N-4-4551
6-4-1471	Dana/Spicer	17N-4-2271	6-4-4551-1	Dana/Spicer	17TYS44-14
6-4-1551	Dana/Spicer	17N-4-3241	6-4-4561	Dana/Spicer	17N-4-4561
6-4-1611	Dana/Spicer	17N-4-3361	6-4-4561-1	Dana/Spicer	17N-4-4561-1
6-4-1741	Dana/Spicer	17N-4-1981	6-4-4581	Dana/Spicer	17N-4-4581
6-4-1751	Dana/Spicer	17N-4-2381	6-4-4591	Dana/Spicer	17N-4-4591
6-4-1771	Dana/Spicer	17N-4-2391	6-4-4601	Dana/Spicer	17N-4-4601

CROSS REFERENCE LISTING

PART#	COMPETITOR	MERITOR#	PART#	COMPETITOR	MERITOR#
6-4-4601-1	Dana/Spicer	17N-4-4601-1	6-4-6041X	Dana/Spicer	17N-4-8551X
6-4-4651	Dana/Spicer	17N-4-4651	6-4-6321	Dana/Spicer	17N-4-6321
6-4-4681X	Dana/Spicer	17N-4-2501	6-4-6331	Dana/Spicer	17N-4-6331
6-4-4741X	Dana/Spicer	17N-4-4741X	6-4-6371	Dana/Spicer	17NYS32-99
6-4-4771	Dana/Spicer	17N-4-4771	6-4-6371-1	Dana/Spicer	17TYS32-99
6-4-4771-1	Dana/Spicer	17N-4-4771-1	6-4-6381X	Dana/Spicer	17NYS32-99A
6-4-4831X	Dana/Spicer	17N-4-4831X	6-4-6391-1X	Dana/Spicer	17N-4-6391-1X
6-4-4851X	Dana/Spicer	17N-4-4851X	6-4-6391X	Dana/Spicer	17N-4-6391X
6-4-4861X	Dana/Spicer	17N-4-4861X	6-4-6401	Dana/Spicer	17NYS32-100
6-4-4911X	Dana/Spicer	17N-4-6321	6-4-6401-1	Dana/Spicer	17N-4-7621-1
6-4-4961	Dana/Spicer	17N-4-4961	6-4-6411X	Dana/Spicer	17N-4-6411X
6-4-4971	Dana/Spicer	17NYS32-99	6-4-6421X	Dana/Spicer	17N-4-6421X
6-4-4981X	Dana/Spicer	17NYS32-99	6-4-6451	Dana/Spicer	17N-4-6451
6-4-5001	Dana/Spicer	17NYS38-17	6-4-6481	Dana/Spicer	17N-4-6481
6-4-5031	Dana/Spicer	17N-4-5031	6-4-6601	Dana/Spicer	17N-4-6601
6-4-5041X	Dana/Spicer	17N-4-5041X	6-4-6611-1	Dana/Spicer	17N-4-6611-1
6-4-5051X	Dana/Spicer	17NYS32-100	6-4-6821	Dana/Spicer	17N-4-6821
6-4-5061X	Dana/Spicer	17N-4-5061X	6-4-6841X	Dana/Spicer	17N-4-6841X
6-4-5071X	Dana/Spicer	17N-4-5071X	6-4-6861-1	Dana/Spicer	17N-4-6861-1
6-4-5101X	Dana/Spicer	17N-4-6411X	6-4-6871X	Dana/Spicer	17N-4-6871X
6-4-5111X	Dana/Spicer	17N-4-5111X	6-4-6891X	Dana/Spicer	17N-4-6891X
6-4-5121X	Dana/Spicer	17N-4-6331	6-4-6921-1X	Dana/Spicer	17N-4-6921-1X
6-4-5131X	Dana/Spicer	17N-4-5131X	6-4-6921X	Dana/Spicer	17N-4-6921X
6-4-5141	Dana/Spicer	17N-4-5141	6-4-6931-1X	Dana/Spicer	17N-4-6931-1X
6-4-5151X	Dana/Spicer	17N-4-5151X	6-4-6931X	Dana/Spicer	17N-4-6931X
6-4-5311X	Dana/Spicer	17N-4-6891X	6-4-6941X	Dana/Spicer	17N-4-6941X
6-4-5341	Dana/Spicer	17N-4-5341	6-4-6951X	Dana/Spicer	17N-4-6951X
6-4-5351	Dana/Spicer	17N-4-5351	6-4-6961-1X	Dana/Spicer	17N-4-6961-1X
6-4-5351-1	Dana/Spicer	17N-4-7071-1X	6-4-6961X	Dana/Spicer	17N-4-6961X
6-4-5451	Dana/Spicer	17N-4-5451	6-4-7141-1	Dana/Spicer	17N-4-7141-1
6-4-5461-1X	Dana/Spicer	17N-4-5461-1X	6-4-7161	Dana/Spicer	17N-4-7161
6-4-5461X	Dana/Spicer	17N-4-5461X	6-4-7161-1	Dana/Spicer	17TYS38-76
6-4-5481X	Dana/Spicer	17N-4-5481X	6-4-7171X	Dana/Spicer	17NYS34-9A
6-4-5501	Dana/Spicer	17N-4-5501	6-4-7181-1X	Dana/Spicer	17N-4-7181-1X
6-4-5511X	Dana/Spicer	17N-4-6871X	6-4-7181-1X	Dana/Spicer	17TYS38-76A5
6-4-5521	Dana/Spicer	17N-4-5521	6-4-7181X	Dana/Spicer	17N-4-7181X
6-4-5531X	Dana/Spicer	17N-4-6951X	6-4-7301-1	Dana/Spicer	17TYS32-73
6-4-5541	Dana/Spicer	17N-4-5541	6-4-7371-1	Dana/Spicer	17N-4-7371-1
6-4-5551X	Dana/Spicer	17N-4-6941X	6-4-7381-1X	Dana/Spicer	17N-4-7381-1X
6-4-5591	Dana/Spicer	17N-4-6841X	6-4-7531-1X	Dana/Spicer	17N-4-7531-1X
6-4-5601X	Dana/Spicer	17N-4-6841X	6-4-7541	Dana/Spicer	17N-4-7541
6-4-5711	Dana/Spicer	17N-4-5711	6-4-7561-1X	Dana/Spicer	17N-4-7561-1X
6-4-5781	Dana/Spicer	17N-4-5781	6-4-7561X	Dana/Spicer	17NYS34-19A1
6-4-5791	Dana/Spicer	17N-4-5791	6-4-7621-1	Dana/Spicer	17N-4-7621-1
6-4-5801	Dana/Spicer	17N-4-5801	6-4-7631-1X	Dana/Spicer	17N-4-7631-1X
6-4-5821	Dana/Spicer	17N-4-5821	6-4-7641-1X	Dana/Spicer	17N-4-7641-1X
6-4-5841	Dana/Spicer	17N-4-5841	6-4-7651X	Dana/Spicer	17NYS34-18A1
6-4-5851	Dana/Spicer	17NYS32-60	6-4-7761	Dana/Spicer	17NYS38-38
6-4-5851-1	Dana/Spicer	17TYS32-60A	6-4-7771-1X	Dana/Spicer	17-N4-7771-1X
6-4-5921	Dana/Spicer	17NYS38-63	6-4-7771-1X	Dana/Spicer	17TYS38-75A
6-4-5931	Dana/Spicer	17NYS38-17	6-4-7771X	Dana/Spicer	17N-4-7771X
6-4-5951	Dana/Spicer	17N-4-7851X	6-4-7851X	Dana/Spicer	17N-4-7851X
6-4-5961X	Dana/Spicer	17N-4-5961X	6-4-8331-1X	Dana/Spicer	17TYS32-60A
6-4-5991	Dana/Spicer	17N-4-5991	6-4-8341-1X	Dana/Spicer	17N-4-8341-1X
6-4-6001X	Dana/Spicer	17N-4-8531X	6-4-8981X	Dana/Spicer	17NYS36-62A
6-4-6021X	Dana/Spicer	17N-4-6021X	6-4-8991-1X	Dana/Spicer	17N-4-8991-1X
6-4-6031	Dana/Spicer	17N-4-8461	6-4-8991X	Dana/Spicer	17NYS32-99A
6-4-6031-1	Dana/Spicer	17N-4-6031-1	6-4-9001-1X	Dana/Spicer	17N-4-9001-1X
6-4-6041-1X	Dana/Spicer	17N-4-6041-1X	6-4-9001-1X	Dana/Spicer	17TYS32-91A
6-4-6041X	Dana/Spicer	17N-4-6041X	6-4-90311X	Dana/Spicer	17TYS32-92A

CROSS REFERENCE LISTING

PART#	COMPETITOR	MERITOR#	PART#	COMPETITOR	MERITOR#
6-4-9031X	Dana/Spicer	17N-4-9031X	DT297	Dana/Spicer	CP297X
6-4-9041X	Dana/Spicer	17N-4-9041X	DT3022	Dana/Spicer	CP3022X
6-53-151	Dana/Spicer	17N-53-151	DT3147	Dana/Spicer	CP3147X
6-53-201	Dana/Spicer	17N-53-201	DT4137268	Dana/Spicer	4137268
6-53-311	Dana/Spicer	17N-53-311	DT6000X	Dana/Spicer	CP62N-DWT
6-5-4-3491-1	Dana/Spicer	18N-4-3491-1	DT7000	Dana/Spicer	CP72N-DWT
6-73-209	Dana/Spicer	S-165-B2	DT7000X	Dana/Spicer	CP72N-DWT
6-73-316	Dana/Spicer	S-168-2	DT8200	Dana/Spicer	CP82N-DWT
6-82-1061-3	Dana/Spicer	17N-82-1061-3	DT8200X	Dana/Spicer	CP82N-DWT
6-82-1061-4	Dana/Spicer	17N-82-1061-4	MM6035	Dana/Spicer	CB210527X
6-82-1061-8	Dana/Spicer	17N-82-1061-8	MM6041	Dana/Spicer	CB210207-1X
6-82-1061-9	Dana/Spicer	17N-82-1061-9	MM6051	Dana/Spicer	CB210661-1XSA
6-82-1091-1	Dana/Spicer	17N-82-1091-13	SPL100-1X	Dana/Spicer	US90X
6-82-1091-12	Dana/Spicer	17N-82-1171-2	SPL170-3X	Dana/Spicer	US170X
6-82-1091-2	Dana/Spicer	17N-82-1091-2	SPL170X-1X	Dana/Spicer	US170X
6-82-1091-4	Dana/Spicer	17N-82-1171-5	SPL250-3X	Dana/Spicer	US250X
6-82-1171-1	Dana/Spicer	17N-82-1171-1	SPL250X	Dana/Spicer	US250X
6-82-1171-12	Dana/Spicer	17N-82-1171-12	SPL250X-3X	Dana/Spicer	US250X
6-82-1171-2	Dana/Spicer	17N-82-1171-2	SPL90X	Dana/Spicer	US90X
6-82-1171-5	Dana/Spicer	17N-82-1171-5	5505553	Fuller	25WYS45
6-82-1191-1	Dana/Spicer	17NYSM40-169	5505547	Fuller	18TYS45
6-82-1281	Dana/Spicer	17NYSM40-169	5505581	Fuller	20WYS45
6-82-641	Dana/Spicer	17N-82-1171-5	86717	Fuller	17N-4-3611
6-82-971-1X	Dana/Spicer	17N-82-1061-3	86719	Fuller	17N-4-6821
8-40-101	Dana/Spicer	PS48-16-16	86721	Fuller	18NYS44-3
8-40-91	Dana/Spicer	PS48-16-19	86733	Fuller	17N-4-2141
85341	Dana/Spicer	BS-S36-10	86748	Fuller	17N-4-7371-1
90-4-5911X	Dana/Spicer	90N-4-591-1X	86749	Fuller	17N-4-6611-1
90-70-28X	Dana/Spicer	90N-70-28X	86757	Fuller	16N-4-3321
913971-2600	Dana/Spicer	R91397-2000	86762	Fuller	176N-4-651-1
92V	Dana/Spicer	CPL6R-50	86769	Fuller	18N-4-3451-1
9553-4724	Dana/Spicer	R9553SF	86770	Fuller	18N-4-3491-1
98-1361	Dana/Spicer	2847Z-312	A-5064	Fuller	17N-4-6921X
98-1362	Dana/Spicer	DEFR47-2	A-5079	Fuller	18N-4-3551X
98-1368	Dana/Spicer	DEFR47-2	A-5190	Fuller	17N-4-6921-1X
D2C	Dana/Spicer	ND2C	A-5291	Fuller	17N-4-6931-1X
D3A	Dana/Spicer	ND3A	A-5412	Fuller	18N-4-3551-1X
D3H	Dana/Spicer	DC148N-1	A-5413	Fuller	18N-4-3561-1X
D5A	Dana/Spicer	SE-RUR25-2	A-5416	Fuller	176N-4-791-1X
D6A	Dana/Spicer	DC17N	0505X	Neapco	CP170X
D6B	Dana/Spicer	DC17N	0505X-1	Neapco	CP170X
D6F	Dana/Spicer	DC17N	0605X	Neapco	CP170X
DT101X	Dana/Spicer	CP101X	0675X	Neapco	CP170X
DT1200	Dana/Spicer	CP1200X	10-0312	Neapco	10N-3-12X
DT1201	Dana/Spicer	CP1201X	10-0322	Neapco	10N-3-22X
DT1204	Dana/Spicer	CP1204X	10-0323	Neapco	10N-3-23X
DT1206	Dana/Spicer	CP141N	10-0332	Neapco	10N-3-32X
DT1306	Dana/Spicer	CP1306X	10-0333	Neapco	10N-3-33X
DT134	Dana/Spicer	CP134X	10-0381	Neapco	10N-3-81X
DT153	Dana/Spicer	CP153X	10-0412	Neapco	10N-4-12
DT155	Dana/Spicer	CP155X	10-0413	Neapco	10N-4-13
DT160	Dana/Spicer	CP160X	10-0422	Neapco	10N-4-22
DT170	Dana/Spicer	CP170X	10-0423	Neapco	10N-4-23
DT178	Dana/Spicer	CP178X	10-0432	Neapco	10N-4-32
DT188	Dana/Spicer	CP188X	10-0443	Neapco	10N-4-43
DT200	Dana/Spicer	CP200X	1-0045	Neapco	KT16SB
DT213	Dana/Spicer	CP213X	10-0452	Neapco	10N-4-52
DT279	Dana/Spicer	CP279X	10-0453	Neapco	10N-4-53
DT280	Dana/Spicer	CP280X	1-0046	Neapco	KT17SB
DT281	Dana/Spicer	CP281X	10-0463	Neapco	10N-4-63

CROSS REFERENCE LISTING

PART#	COMPETITOR	MERITOR#	PART#	COMPETITOR	MERITOR#
10-0473	Neapco	10N-4-73	2-0527	Neapco	CP527X
10-0483	Neapco	10N-4-83	2-075X	Neapco	CP279X
10-0493	Neapco	10N-4-93	2-075X-1A	Neapco	CP279X
1-0070B	Neapco	KIT-US250-170X	2-075X-1A	Neapco	M279X
1-0089	Neapco	KT116	2-1033J	Neapco	72NYS31-2
1-0099	Neapco	KT117	2-1175	Neapco	CP1309X
10-1005	Neapco	R10V5	2-1203	Neapco	CP1203X
1-0103	Neapco	CP103X	2-1569	Neapco	CP1204X
1-0105	Neapco	CP105X	2-2700	Neapco	CP2033
1-0109	Neapco	KT118	2-3011	Neapco	CP3147X
1-0134	Neapco	CP134X	2-3100	Neapco	CP353X
1-0153	Neapco	CP153X	2-3190	Neapco	CP357X
1-0170	Neapco	CP170X	2-4800	Neapco	CP213X
1-0174	Neapco	CP260X	2-4900	Neapco	CP1204X
1-0200	Neapco	CP153X	2-6200	Neapco	CP1205X
1-0200	Neapco	CP200X	2-6302	Neapco	CP1306X
1-0248	Neapco	CP248X	2-6600	Neapco	CP141N
1-0297	Neapco	CP297X	2-675X	Neapco	CP188X
1-0298	Neapco	CP297-1X	280194	Neapco	R280194
1-0300	Neapco	CP101X	280196	Neapco	R280196
1-0300	Neapco	CP111X	3-0055	Neapco	CP115X
1-0301	Neapco	CP101X	3-0056	Neapco	CP1301X
10-3122	Neapco	10N-3-122X	3-0155	Neapco	CP155N
10-3162	Neapco	10N-3-162X	3-0155	Neapco	CP155X
10-3163	Neapco	10N-3-163X	3-0188	Neapco	CP188X
10-3183	Neapco	10N-3-183X	3-0332	Neapco	CP332X
1-0350	Neapco	CP350X	3-1053	Neapco	CP178X
10-4103	Neapco	10N-4-103	3-1054	Neapco	CP160X
10-4123	Neapco	10N-4-123	3-3125	Neapco	CP3000
10-4143	Neapco	10N-4-143	3-3130	Neapco	CP3022X
10-4193	Neapco	10N-4-193	3-3131	Neapco	CP354X
1-050	Neapco	CP3022X	3-3140	Neapco	CP460X
1-0505	Neapco	CP170X	3-3152	Neapco	CP3000
1-0506	Neapco	CP170X	3-3158	Neapco	CP3121
1-0675	Neapco	CP170X	3-4123	Neapco	CP4101
1-0676	Neapco	CP170X	3-4138	Neapco	CP4002
1-103	Neapco	CP103X	3-4152	Neapco	CP4102
1-1153	Neapco	CP153X	3-5132	Neapco	CP5008
1-1200	Neapco	CP153X	3-6700	Neapco	CP148N
1-1475	Neapco	CPL6R-50	4-0058	Neapco	CP279X
1-1554	Neapco	CP2031	4-0058	Neapco	M279X
1-1555	Neapco	CP105X	4-0165	Neapco	CP165X
1-1612	Neapco	CP1510X	4-0614	Neapco	CP62N-HB
1-1875	Neapco	CP2011X	4-0628	Neapco	CP62N-HWD
1-2075	Neapco	CP129X	4-0643	Neapco	CP62N-DWT
1-2185	Neapco	CP2116	4-1090	Neapco	US90X
1-3600	Neapco	CP2011X	4137268	Neapco	4137268
1-3650	Neapco	CP2140	4-2791	Neapco	US674X
1-4475	Neapco	CPL6R-50	4-5122	Neapco	CP5122
1-4635	Neapco	CP1201X	4-5177	Neapco	CP5177
1-475X	Neapco	CPL6R-50	4-5800	Neapco	CP58WB-HWD
1-5900	Neapco	CP1200X	4-5801	Neapco	CP58WB-DWT
1-605X	Neapco	CP170X	4-5802	Neapco	CP58WB-HB
1-6300	Neapco	CP1306-1X	4-6062	Neapco	CP62N-50
1-6301	Neapco	CP1306X	4-6103	Neapco	CP62N-HB
1-6301	Neapco	CP72625-4	4-6107	Neapco	CP5008
1875X	Neapco	CP2011X	4-6114	Neapco	CP62N-HB
2-0053	Neapco	CP178X	4-6128	Neapco	CP62N-HWD
2-0054	Neapco	CP160X	4-6143	Neapco	CP62N-DWT
2-0456	Neapco	CP456X	4-6162	Neapco	CP62N-50

CROSS REFERENCE LISTING

PART#	COMPETITOR	MERITOR#	PART#	COMPETITOR	MERITOR#
4-6163	Neapco	CP62N-51	CN210661-1X	Neapco	GCB210661-1X
5-0069	Neapco	CP280X	DS101K	Neapco	CB210527X
5-0069	Neapco	M280X	DS201KF	Neapco	CB210088-1X
5-0725	Neapco	CP72N-DWT	DS202KD	Neapco	CB210088-1X
5-121	Neapco	CP153X	DS204KF	Neapco	CB210866-1X
5-2801	Neapco	M675X	DS301KG	Neapco	CB210144-1X
5-7126	Neapco	CP72N-100	DS401KF	Neapco	CB210084-2X
5-7126	Neapco	CP72N-HWD	DS401KG	Neapco	CB210207-1X
5-7205	Neapco	CP72N-DWT	DS501KF	Neapco	CB210090-1X
5-7206	Neapco	CP72N-HB	DS601KF	Neapco	CB210661-1XSA
5-7207	Neapco	CP72N-HB	N10229	Neapco	10N-2-29
5-7208	Neapco	CP72N-DWT	N102701SF	Neapco	R10270-SF
6-0124	Neapco	CP124X	N10270SF	Neapco	R10270-SF
6-0226	Neapco	CP124X	N10-3-12	Neapco	10N-3-12X
6-0324	Neapco	CP18N-96	N10-3-122	Neapco	10N-3-122X
6-0407	Neapco	CP407X	N10-3-162	Neapco	10N-3-162X
6-0407	Neapco	M407X	N10-3-163	Neapco	10N-3-163X
6-0916	Neapco	CP92N-HWD	N10-3-18KX	Neapco	10N-3-18KX
6-0917	Neapco	CP92N-HB	N10-3-22	Neapco	10N-3-22X
6-1141	Neapco	CP62N-HB	N10-3-32	Neapco	10N-3-32X
6-1170	Neapco	US170X	N10-3-33	Neapco	10N-3-33X
6-1250	Neapco	US250X	N10-3-81	Neapco	10N-3-81X
6-1281	Neapco	CP62N-HWD	N10-3-83	Neapco	10N-3-83X
6-1431	Neapco	CP62N-DWT	N10-4-103	Neapco	10N-4-103
6-2811	Neapco	M676X	N10-4-113	Neapco	10N-4-113
6-4071	Neapco	M677X	N10-4-12	Neapco	10N-4-12
6-8113	Neapco	CP82N-HWD	N10-4-123	Neapco	10N-4-123
6-8205	Neapco	CP82N-DWT	N10-4-13	Neapco	10N-4-13
6-8207	Neapco	CP82N-HB	N10-4-133	Neapco	10N-4-133
6-8208	Neapco	CP82N-HWD	N10-4-143	Neapco	10N-4-143
6-9014	Neapco	CP92N-70	N10-4-173	Neapco	10N-4-173
6-9014	Neapco	CP92N-DWT	N10-4-183	Neapco	10N-4-183
6-9016	Neapco	CP92N-HWD	N10-4-193	Neapco	10N-4-193
6-9017	Neapco	CP92N-HB	N10-4-22	Neapco	10N-4-22
7-0082	Neapco	131N-CV82-HD	N10-4-282	Neapco	10N-4-282
7-2051	Neapco	CP72N-DWT	N10-4-32	Neapco	10N-4-32
81-1020	Neapco	CB210527X	N10-4-43	Neapco	10N-4-43
81-1022	Neapco	CB210527X	N10-4-481	Neapco	10N-4-481
81-2011	Neapco	CB210088-1X	N10-4-573	Neapco	10N-4-573
81-2012	Neapco	CB210088-1X	N10-4-63	Neapco	10N-4-63
81-2013	Neapco	CB210090-1X	N10-4-93	Neapco	10N-4-93
81-2020	Neapco	CB210088-1X	N1075XS	Neapco	R1075XS
81-2040	Neapco	CB210866-1X	N10V5	Neapco	R10V5
81-2041	Neapco	CB210866-1X	N16-30-62-108	Neapco	RT-2-14-108
81-2042	Neapco	CB210873-1X	N16-30-62-72	Neapco	RT-2-14-72
81-2121	Neapco	CB210367-1X	N20-30-12-108	Neapco	RT-25-16-108
81-2122	Neapco	CB210370-1X	N20-30-12-72	Neapco	RT-25-16-72
81-3011	Neapco	CB210391-1X	N20-30-22-108	Neapco	RT-25-14-108
81-3012	Neapco	CB210433-1X	N20-30-22-72	Neapco	RT-25-14-72
81-3020	Neapco	CB210144-1X	N210084-2X	Neapco	CB210084-2X
81-3021	Neapco	CB210140-1X	N210088-1X	Neapco	CB210088-1X
81-3022	Neapco	CB210144-1X	N210088-1X	Neapco	CB210090-1X
81-4010	Neapco	CB210084-2X	N210090-1X	Neapco	CB210090-1X
81-4011	Neapco	CB210084-2X	N210121-1X	Neapco	CB210121-1XSA
81-4012	Neapco	CB210207-1X	N210130-1X	Neapco	CB210207-1X
81-4020	Neapco	CB210207-1X	N210140-1X	Neapco	CB210140-1X
81-5010	Neapco	CB210121-1XSA	N210140-1X	Neapco	CB310002-1X
81-6010	Neapco	CB210661-1XSA	N210144-1X	Neapco	CB210144-1X
90161	Neapco	CP92N-HWD	N210207-1X	Neapco	CB210088-1X
90171	Neapco	CP92N-HB	N210207-1X	Neapco	CB210207-1X

CROSS REFERENCE LISTING

PART#	COMPETITOR	MERITOR#	PART#	COMPETITOR	MERITOR#
N210367-1X	Neapco	CB210367-1X	N2-3-7681KX	Neapco	133N-3-7681KX
N210370-1X	Neapco	CB210370-1X	N2-3-7961KX	Neapco	133N-3-7961KX
N210391-1X	Neapco	CB210391-1X	N2-3-7981KX	Neapco	131N-3-7981KX
N210391-1X	Neapco	GCB210391-1X	N2-3-8001KX	Neapco	131N-3-8001KX
N210391-1Z	Neapco	CB210391-1X	N2-3-8021KX	Neapco	131N-3-8021KX
N210433-1X	Neapco	CB210433-1X	N2-3-8041KX	Neapco	133N-3-8041KX
N210527X	Neapco	CB210527X	N2-3-8861KX	Neapco	121N-3-8861KX
N210661-1X	Neapco	CB210661-1XSA	N2-3-8961KX	Neapco	121N-3-8961KX
N210866-1X	Neapco	CB210866-1X	N2-40-1031	Neapco	131N-40-1031
N210873-1X	Neapco	CB210873-1X	N2-40-1221	Neapco	131N-40-1221
N210875-1X	Neapco	CB210875-1XSA	N2-40-1231	Neapco	131N-40-1231
N210881-1X	Neapco	CB310012-1XSA	N2-40-1251	Neapco	131N-40-1251
N210969X	Neapco	CB310007-1X	N2-40-1291	Neapco	131N-40-1291
N211016X	Neapco	CB211016X	N2-40-1382	Neapco	131N-40-138-2
N211098-1X	Neapco	CB310001-1X	N2-40-1521	Neapco	131N-40-1521
N211187X	Neapco	CB211187X	N2-40-1701	Neapco	131N-40-1701
N2-2-1049	Neapco	121N-2-1049	N2-40-1701-1	Neapco	131N-40-1701-1
N2-2-1050	Neapco	121N-2-1050	N2-40-1711	Neapco	131N-40-1711
N22-30-12-108	Neapco	RT-275-14-108	N2-40-1741	Neapco	121N-40-1741
N2-2-329	Neapco	131N-2-329	N2-40-1771	Neapco	131N-40-1771
N2-2-349	Neapco	131N-2-349	N2-40-1811	Neapco	131N-40-1811
N2-2-479	Neapco	131N-2-479	N2-40-1851	Neapco	131N-40-1851
N2-2-579	Neapco	131N-2-579	N2-40-1871	Neapco	131N-40-1871
N2-26-367	Neapco	131N-26-497	N2-40-2051	Neapco	131N-40-2051
N2-26-427	Neapco	131N-26-497	N2-40-2091	Neapco	131N-40-2091
N2-2-799	Neapco	131N-2-799	N2-40-2211	Neapco	121N-40-2211
N2-2-799-1	Neapco	131N-2-799-1	N2-40-2301	Neapco	121N-40-2301
N2-28-1177	Neapco	133N-28-1177	N24-30-12-108	Neapco	RT-3-13-108
N2-28-1617	Neapco	131N-28-1617	N24-30-12-72	Neapco	RT-3-13-72
N2-28-1697	Neapco	133N-28-1697	N24-30-32-108	Neapco	RT-3-16-108
N2-28-1707	Neapco	133N-28-1707	N24-30-32-72	Neapco	RT-3-16-72
N2-28-1717	Neapco	133N-28-1717	N24-30-42-108	Neapco	RT-3-14-108
N2-28-1747X	Neapco	131N-28-2957X	N24-30-42-72	Neapco	RT-3-14-72
N2-28-1757	Neapco	131N-28-1757	N2-4-473	Neapco	131N-4-473
N2-28-1777X	Neapco	131N-28-2947X	N2-4-503	Neapco	131N-4-503
N2-28-277	Neapco	131N-28-277	N2-4-533	Neapco	131N-4-533
N2-28-2947X	Neapco	131N-28-2947X	N2-53-491	Neapco	131N-53-491
N2-28-2957X	Neapco	131N-28-2957X	N2-53-711	Neapco	131N-53-711
N2-28-307	Neapco	131N-28-307	N28-30-22-108	Neapco	RT-35-13-108
N2-28-327	Neapco	131N-28-327	N28-30-22-72	Neapco	RT-35-13-72
N2-28-357	Neapco	131N-28-357	N28-30-42-108	Neapco	RT-35-16-108
N2-28-367	Neapco	131N-28-367	N28-30-42-72	Neapco	RT-35-16-72
N2-28-397	Neapco	131N-28-397	N28-30-52-108	Neapco	RT-35-156-108
N2-28-417	Neapco	131N-28-417	N28-30-52-72	Neapco	RT-35-156-72
N2-28-427	Neapco	131N-28-427	N28-30-62-108	Neapco	RT-35-14-108
N2-28-437	Neapco	131N-28-437	N28-30-62-72	Neapco	RT-35-14-72
N2-2-899	Neapco	121N-2-899	N28-30-92-108	Neapco	RT-35-10-108
N2-2-899-1	Neapco	131N-2-899-1	N28-30-92-72	Neapco	RT-35-10-72
N2-2-939	Neapco	131N2-939	N2-83-388X	Neapco	131N-83-388X
N230123-6	Neapco	WAR21-1	N2-83-489X	Neapco	121N-83-489X
N230129	Neapco	WAR13-5	N3-2-119	Neapco	135N-2-119
N230794	Neapco	DEFR47-6	N3-2-159	Neapco	141N-2-159
N230795	Neapco	DEFR47-4	N32-30-22-108	Neapco	RT-4-14-108
N2-3-128KX	Neapco	131N-3-128KX	N32-30-22-72	Neapco	RT-4-14-72
N2-3-4441KX	Neapco	131N-3-4441KX	N32-30-52-108	Neapco	RT-4-10-108
N2-3-5821 KX	Neapco	131N-3-8021KX	N32-30-52-72	Neapco	RT-4-10-72
N2-3-5821X	Neapco	131N-3-8021KX	N32-30-72-108	Neapco	RT-4095-7-108
N2-3-6061KX	Neapco	131N-3-6061KX	N32-30-72-72	Neapco	RT-4095-7-72
N2-3-7171KX	Neapco	131N-3-7171KX	N3-2-429	Neapco	141N-2-429
N2-3-7260KX	Neapco	131N-3-7260KX	N3-2-479	Neapco	148N-2-479

CROSS REFERENCE LISTING

PART#	COMPETITOR	MERITOR#	PART#	COMPETITOR	MERITOR#
N3-28-257	Neapco	135N-28-257	N3R-83-482	Neapco	R3R-83-482
N3-28-367	Neapco	141N-28-367	N4-2-669	Neapco	155N-2-669
N3-28-427	Neapco	135N-28-427	N4-3-1241KX	Neapco	155N-3-1241X
N3-28-47	Neapco	135N-28-47	N4-40-721	Neapco	155N-40-721
N3-28-507	Neapco	148N-28-507	N4-40-761	Neapco	155N-40-761
N3-28-537	Neapco	148N-28-537	N4-4-2051	Neapco	155N-4-2051
N3-28-547	Neapco	148N-28-547	N4-53-61	Neapco	155N-53-61
N3-28-557	Neapco	141N-28-557	N5-28-167	Neapco	16N-28-167
N3-28-567	Neapco	148N-28-567	N5-28-207	Neapco	16N-28-207
N3-28-57	Neapco	135N-28-57	N5-28-327	Neapco	16N-28-327
N3-28-57-1	Neapco	135N-28-57-1	N5-28-627	Neapco	16N-28-627
N3-28-57-2	Neapco	135N-28-57-2	N5-3-1411KX	Neapco	16N-3-1411X-MXL
N3-28-97	Neapco	141N-28-97	N5-3-2261KX	Neapco	16N-3-2261X-MXL
N3-3-118KX	Neapco	141N-3-118KX	N5-3-288KX	Neapco	16N-3-288X-MXL
N3-3-1481KX	Neapco	141N-3-1481KX	N5-40-1011	Neapco	16N-40-1011
N3-3-1501KX	Neapco	135N-3-1501KX	N5-4-1721	Neapco	16N-4-1721
N3-3-1561KX	Neapco	135N-3-1561KX	N5-4-1721-1X	Neapco	16N-4-1721-1
N3-3-1601KX	Neapco	148N-3-1601KX	N5-4-1931	Neapco	16N-4-1931
N3-3-1641KX	Neapco	148N-3-1641KX	N5-4-3601X	Neapco	16N-4-3601X
N3-3-2041KX	Neapco	141N-3-2041KX	N5-4-3621	Neapco	16N-4-3621
N3-3-2471KX	Neapco	135N-3-2471KX	N5-4-4401	Neapco	16N-4-4401
N3-3-488KX	Neapco	135N-3-488KX	N5-4-4551	Neapco	16N-4-4551
N3-3-508KX	Neapco	141N-3-508KX	N5-4-5721	Neapco	16N-4-5721
N3-3-598KX	Neapco	135N-3-598KX	N5-4-5751	Neapco	16N-4-5751
N3-3-758KX	Neapco	135N-3-758KX	N5-4-6241	Neapco	16N-4-6241
N3-3-788KX	Neapco	141N-3-788KX	N5-4-6291X	Neapco	16N-4-6291X
N3-40-1101	Neapco	135N-40-1101	N5-4-6441-1 X	Neapco	16TYS32-86A
N3-40-1391	Neapco	148N-40-1391	N6.3-28-17	Neapco	176N-28-17
N3-40-1471	Neapco	135N-40-1471	N6.3-3-21KX	Neapco	176N-3-21X-MXL
N3-40-1491	Neapco	135N-40-1491	N6.3-3-41KX	Neapco	176N-3-41X-MXL
N3-40-1531	Neapco	135N-40-1531	N6.3-4-1 041 X	Neapco	176N-4-1041X
N3-40-1561	Neapco	135N-40-1561	N6.3-4-1041-1X	Neapco	176TYS38-27A
N3-40-1571	Neapco	148N-40-1571	N6.3-4-161	Neapco	176N-4-161
N3-40-1611	Neapco	135N-40-1611	N6.3-4-161-1	Neapco	176N-4-161-1
N3-40-1871	Neapco	148N-40-1391	N6.3-4-331 X	Neapco	176N-4-331X
N3-4-6631X	Neapco	141N-4-6631X	N6.3-4-331-1 X	Neapco	176N-4-331-1X
N3-53-1031	Neapco	141N-53-1031	N6.3-4-391	Neapco	176N-4-391
N3-53-1081	Neapco	141N-53-1081	N6.3-4-531	Neapco	176N-4-531
N3-53-1181	Neapco	135N-53-1181	N6.3-4-541-1 X	Neapco	176N-4-541-1X
N3-53-1181-1	Neapco	135N-53-1181-1	N6.3-4-541X	Neapco	176N-4-541X
N3-53-1361	Neapco	141N-53-1361	N6.3-4-641	Neapco	176NYS38-10
N3-53-1371	Neapco	141N-53-1371	N6.3-4-781 X	Neapco	176N-4-781X
N3-53-151	Neapco	135N-53-1351	N6.3-4-781-1 X	Neapco	176N4-781-1X
N3-53-431	Neapco	148N-53-431	N6.3-4-791-1X	Neapco	176N-4-791-1X
N3-53-451	Neapco	148N-53-451	N6.3-4-791X	Neapco	176N-4-791X
N36-30-62-108	Neapco	RT-45-10-108	N6.3-4-821-1	Neapco	176N-4-821-1
N36-30-62-72	Neapco	RT-45-10-72	N6.3-86-18	Neapco	SE-RUR33-4
N3R-26-057	Neapco	R3R-26-57	N6.5-28-117	Neapco	18N-28-117
N3R-28-307	Neapco	R3R-28-307	N6.5-28-127	Neapco	18N-28-127
N3R-28-325	Neapco	R3R-28-325	N6.5-3-1351KX	Neapco	18N-3-1351X-MXL
N3R-28-327	Neapco	R3R-28-327	N6.5-3-1371KX	Neapco	18N-3-1371X-MXL
N3R-28-397	Neapco	R3R-28-397	N6.5-40-191	Neapco	18N-40-191
N3R-28-427	Neapco	R3R-28-427	N6.5-40-201	Neapco	18N-40-201
N3R-28-437	Neapco	R3R-28-437	N6.5-4-1891	Neapco	18N-4-1891
N3R-28-869	Neapco	R3R-28-869	N6.5-4-1891-1	Neapco	18N-4-1891-1
N3R-3-6081X	Neapco	R3R-3-6081X	N6.5-4-2171	Neapco	18N-4-2171
N3R-3-9101X	Neapco	R3R-3-9101X	N6.5-4-2271 X	Neapco	18N-4-2271X
N3R-3-9131X	Neapco	R3R-3-9131X	N6.5-4-2531X	Neapco	18N-4-2531X
N3R-3-9161X	Neapco	R3R-3-9161X	N6.5-4-2701	Neapco	18N-4-2701
N3R-3-9165KX	Neapco	R3R-3-9165KX	N6.5-4-2711 X	Neapco	18N-4-2711X

CROSS REFERENCE LISTING

PART#	COMPETITOR	MERITOR#	PART#	COMPETITOR	MERITOR#
N6.5-4-3161	Neapco	18N-4-3161	N6-4-6401	Neapco	17NYS32-100
N6.5-4-3221X	Neapco	18N-4-3221X	N6-4-6411X	Neapco	17N-4-6411X
N6.5-4-3251	Neapco	18N-4-3251	N6-4-6421X	Neapco	17N-4-6421X
N6.5-4-3281 X	Neapco	18N-4-3281X	N6-4-6451	Neapco	17N-4-6451
N6.5-4-3381 X	Neapco	18N-4-3381X	N6-4-6481	Neapco	17N-4-6481
N6.5-4-3381-1X	Neapco	18N-4-3381-1X	N6-4-6841X	Neapco	17N-4-6841X
N6.5-4-3441	Neapco	18NYS38-15	N6-4-6871X	Neapco	17N-4-6871X
N6.5-4-3551-1 X	Neapco	18N-4-3551-1X	N6-4-6921-1 X	Neapco	17N-4-6921-1X
N6.5-4-3551X	Neapco	18N-4-3551X	N6-4-6921X	Neapco	17N-4-6921X
N6.5-4-3561 X	Neapco	18N-4-3561X	N6-4-6931-1 X	Neapco	17N-4-6931-1X
N6.5-4-3561-1 X	Neapco	18N-4-3561-1X	N6-4-6931X	Neapco	17N-4-6931X
N6.5-4-3591-1	Neapco	18N-4-3591	N6-4-6941X	Neapco	17N-4-6941X
N6.5-4-3591-1	Neapco	18N-4-3591-1	N6-4-6951X	Neapco	17N-4-6951X
N6.5-4-3731-1 X	Neapco	18TYS38-27A	N6-4-7141-1	Neapco	17N-4-7141-1
N6.5-4-3731X	Neapco	18N-4-3731X	N6-4-7181X	Neapco	17N-4-7181X
N6.5-4-3921-1 X	Neapco	18N-4-3921-1X	N6-4-7541	Neapco	17N-4-7541
N6.5-4-3921X	Neapco	18N-4-3921X	N6-4-7561X	Neapco	17NYS34-19A1
N6.5-53-91	Neapco	18N-53-91	N6-4-7631-1X	Neapco	17N-4-7631-1X
N6-28-137	Neapco	17N-28-137	N6-4-7641-1 X	Neapco	17N-4-7641-1X
N6-28-347	Neapco	17N-28-347	N6-4-8531X	Neapco	17N-4-8531X
N6-3-2651KX	Neapco	17N-3-2651X-MXL	N6-4-8551X	Neapco	17N-4-8551X
N6-3-2671KX	Neapco	17N-3-2671X-MXL	N6-53-151	Neapco	17N-53-151
N6-40-521	Neapco	17N-40-521	N6-53-201	Neapco	17N-53-201
N6-40-541	Neapco	17N-40-541	N6-53-311	Neapco	17N-53-311
N6-4-1981	Neapco	17N-4-1981	N909363-2600	Neapco	R909363-2600
N6-4-1981-1	Neapco	17TYS31-54	N9093652600	Neapco	R909365-2600
N6-4-1991	Neapco	17N-4-1991	N911818-2600	Neapco	R911818-2600
N6-4-2141	Neapco	17N-4-2141	N912286	Neapco	4137268
N6-4-2381	Neapco	17N-4-2381	N912747	Neapco	R912747
N6-4-2391	Neapco	17N-4-2391	N912777	Neapco	R912777
N6-4-2441	Neapco	17N-4-2441	N913797-3400	Neapco	R919976-3400
N6-4-3031	Neapco	17N-4-3031	N91382-SF	Neapco	R91382SF
N6-4-3041X	Neapco	17N-4-3041X	N91397-2000	Neapco	R91397-2000
N6-4-3221	Neapco	17N-4-3221	N9553SF	Neapco	R9553SF
N6-4-3241	Neapco	17N-4-3241	N98-1361	Neapco	2847Z-312
N6-4-3611	Neapco	17N-4-3611	ND3H	Neapco	DC148N-1
N6-4-3611	Neapco	17N-4-6921X	S91397-2000	Neapco	R91397-2000
N6-4-3791	Neapco	17N-4-3791	UTP1753	Neapco	RUTP1753
N6-4-4091	Neapco	17N-4-4091			
N6-4-4411X	Neapco	17N-4-4411X			
N6-4-4551	Neapco	17N-4-4551			
N6-4-4561	Neapco	17N-4-4561			
N6-4-4601	Neapco	17N-4-4601			
N6-4-4601-1	Neapco	17N-4-4601-1			
N6-4-4741X	Neapco	17N-4-4741X			
N6-4-5071X	Neapco	17N-4-5071X			
N6-4-5131X	Neapco	17N-4-5131X			
N6-4-5151X	Neapco	17N-4-5151X			
N6-4-5461X	Neapco	17N-4-5461X			
N6-4-5501	Neapco	17N-4-5501			
N6-4-5711	Neapco	17N-4-5711			
N6-4-5781	Neapco	17N-4-5781			
N6-4-5791	Neapco	17N-4-5791			
N6-4-6021X	Neapco	17N-4-6021X			
N6-4-6041 X	Neapco	17N-4-6041X			
N6-4-6041-1 X	Neapco	17N-4-6041-1X			
N6-4-6331	Neapco	17N-4-6331			
N6-4-6371	Neapco	17NYS32-99			
N6-4-6371	Neapco	17TYS32-99			
N6-4-6391X	Neapco	17N-4-6391X			

NUMERICAL PARTS LISTING

PART NUMBER	PAGE	PART NUMBER	PAGE	PART NUMBER	PAGE
2WCS22-51A1	15-24	5WCS32-96	15-46	10N-4-133	14-3
2WCS24-42	15-25	5WCS32-103	1-1	10N-4-143	14-3
2WCS24-43	15-25	5WCS32-103A1	1-1	10N-4-173	14-3
2WCS28-33	15-25	5WCS34-7	15-38	10N-4-183	14-3
2WCS28-72A	15-27	5WCS34-8	15-38	10N-4-193	14-3
2WCS28-73	1-1	5WCS34-9	15-38	10N-4-282	14-3
2WCS28-73A	15-27	5WCS36-76A2	15-39	10N-4-443	14-3
2WCS28-80A	15-27	5WCS36-112	15-54, 15-55	10N-4-453	14-3
2WCS28-84A	15-27	5WCS38-4	15-43	10N-4-473	14-3
2WCS32-12A	15-36	5WCS38-5A	15-43	10N-4-481	14-3
2WCS32-13	15-32, 15-33	5WCS38-6A	15-43	10N-4-573	14-3
2WCS32-13A	15-31	5WCS38-12A	15-43	10N-4-703	14-3
2WCS32-13A2	15-34	5WCS38-12A2	15-44	10N-4-139	14-3
2WCS32-15AX	15-31	5WCS38-18A	1-1, 15-40	10N-4-611	14-3
3WCS28-93A	1-1	5WCS38-20A	15-44	16N-1-2121	15-29
3WCS31-15A	15-28, 15-29	5WCS38-23A2	1-1, 15-40	16N-1-6121	15-27
3WCS32-43A	15-30	5WCS38-24A	1-1, 15-44	16N-1-6341X	15-39
3WCS32-68	15-38	5WCS38-25	15-47	16N-2-279	1-3
3WCS32-68A	15-36	5WCS38-26	15-47	16N-2-629	1-3
3WCS32-68A2	15-37	5WCS38-28A	15-55	16N-3-288X MXL	2-4
3WCS32-73	1-1, 15-32, 15-33, 15-41	5WCS38-29A	15-55	16N-3-1411X MXL	2-4
3WCS32-73A	15-34	5WCS38-31A	15-43	16N-3-2261X MXL	2-4
3WCS32-73A1	15-31, 15-42	5WCS38-32A	15-43	16N-4-781	3-1, 15-9
3WCS32-75A1	1-1, 15-36	5WCS38-34A	15-43	16N-4-1051	3-1, 15-49, 15-53, 15-66
3WCS32-79	15-29	5WCS38-34A2	15-44	16N-4-1431	15-66
3WCS32-81A	15-31	5WCS40-29A1	1-1, 15-44	16N-4-1631	3-2
3WCS36-3	15-54, 15-55	5WCS40-39	15-44	16N-4-1721	3-1, 4-6
3WCS36-25	15-54, 15-55	5WCS40-40	15-57, 15-58	16N-4-1931	3-1, 15-26
3WCS38-8A1	15-40	5WCS40-40A	15-57, 15-58	16N-4-2081	3-1, 15-9
3WCS38-9	15-43	5WCS40-41	15-57, 15-58	16N-4-2501	3-2, 15-28
3WCS38-11A	15-44	5WCS40-41A	15-57, 15-58	16N-4-3321	3-3, 15-54, 15-55
3WCS38-13A	15-43	5WCS40-42A	15-58	16N-4-3321-1	15-54, 15-55
3WCS40-1A	15-44	5WCS40-43A	15-58	16N-4-3601X	3-1, 15-26
3WCS40-1A1	15-44	5WCS40-45A	1-1	16N-4-3621	3-1, 15-26
5WCS28-54A	15-27	5WCS40-39	1-1	16N-4-3681	3-2, 15-29
5WCS28-64	15-46	5WCS44-3	15-59, 15-60	16N-4-3861	3-1, 15-26
5WCS28-66	15-46	5WCS44-3A	15-59, 15-60	16N-4-3901	15-9
5WCS28-66A	15-46	10N-2-29	14-1	16N-4-3911	15-10
5WCS28-67	15-49	10N-3-12X	14-2	16N-4-4391	15-3
5WCS28-67	15-53	10N-3-18KX	14-1	16N-4-4401	3-3
5WCS28-67	15-66	10N-3-22X	14-2	16N-4-4441X	3-1
5WCS31-7A	15-28	10N-3-23X	14-2	16N-4-4451X	3-1, 15-26
5WCS31-7A	15-29	10N-3-32X	14-2	16N-4-4471	3-2, 15-10
5WCS31-7A1	1-1	10N-3-33X	14-2	16N-4-4471-1	15-10
5WCS31-24	15-49, 15-53	10N-3-81X	14-2	16N-4-4481	3-1, 15-26
5WCS31-26	15-49, 15-53	10N-3-83X	14-2	16N-4-4541	3-2
5WCS32-75	15-38	10N-3-122X	14-2	16N-4-4551	3-2, 15-3
5WCS32-75A	15-36	10N-3-162X	14-2	16N-4-4571	3-1, 15-9
5WCS32-75A2	15-37	10N-3-163X	14-2	16N-4-4571-1	15-9
5WCS32-76A	15-36	10N-3-183X	14-2	16N-4-4741	15-67, 15-68
5WCS32-76A2	15-37	10N-4-12	14-3	16N-4-4761X	3-1
5WCS32-83	1-1	10N-4-13	14-3	16N-4-4841X	15-46
5WCS32-86	1-1, 15-41	10N-4-22	14-3	16N-4-4861	15-48
5WCS32-86A	1-1, 15-34	10N-4-23	14-3	16N-4-4861-1	15-48
5WCS32-86A2	15-31, 15-42	10N-4-32	14-3	16N-4-4961	15-54, 15-55
5WCS32-86A3	15-34, 15-35	10N-4-33	14-3	16N-4-4971	15-57, 15-58
5WCS32-86A2	1-1	10N-4-43	14-3	16N-4-4971-1	15-57, 15-58
5WCS32-89	15-32, 15-33	10N-4-52	14-3	16N-4-5031	3-3, 15-15
5WCS32-89A	15-34	10N-4-53	14-3	16N-4-5031-1	15-15
5WCS32-89A1	15-31	10N-4-63	14-3	16N-4-5031-1X	15-15
5WCS32-89A2	15-34, 15-35	10N-4-73	14-3	16N-4-5081X	3-1
5WCS32-94	15-32, 15-33	10N-4-83	14-3	16N-4-5111X	15-9
5WCS32-94A	15-34	10N-4-93	14-3	16N-4-5131X	15-30
5WCS32-94A1	15-31	10N-4-103	14-3	16N-4-5161X	15-15
5WCS32-94A2	15-34, 15-35	10N-4-113	14-3	16N-4-5281X	3-2, 15-28, 15-29
		10N-4-123	14-3	16N-4-5421	15-38

NUMERICAL PARTS LISTING

PART NUMBER	PAGE	PART NUMBER	PAGE	PART NUMBER	PAGE
16N-4-5421-1	15-38	16NYS32-26A	15-30	16TYS32-86A	15-42
16N-4-5431X	15-36	16NYS32-32	15-34, 15-35, 15-41	16TYS34-9A	15-13
16N-4-5441	3-3, 15-38	16NYS32-32A1	15-34	16TYS34-9A1	15-13
16N-4-5461	3-3, 15-38	16NYS32-32A3	3-2	16TYS34-10A	15-4
16N-4-5501	15-15	16NYS32-33	15-34, 15-35	16TYS34-11A	15-4
16N-4-5511X	15-15	16NYS32-33A1	15-34	16TYS34-16A	15-39
16N-4-5571	3-1	16NYS32-43	3-2	16TYS34-21A	15-38
16N-4-5571-1	4-6	16NYS32-47	3-2	16TYS36-11A	15-55
16N-4-5621X	3-1, 15-27	16NYS32-49	15-66	16TYS36-14A1	15-16
16N-4-5631	3-3, 15-4	16NYS32-55	15-3	16TYS36-15A	15-16
16N-4-5721	3-2, 15-3	16NYS32-68A1	15-11	16TYS36-16A	15-16
16N-4-5731	3-3, 15-3	16NYS32-73A	15-11	16TYS38-11A	4-6, 15-44
16N-4-5741	3-3, 15-4	16NYS32-74	3-2	16TYS38-12A	15-40
16N-4-5751	3-3, 15-4	16NYS32-74A	3-2, 15-11	16TYS38-13A	15-5
16N-4-5981	3-2	16NYS32-77A	15-12	16TYS38-14A	15-5
16N-4-5991X	3-2	16NYS32-78A	15-12	16TYS38-15A	15-4
16N-4-6131-1	15-3	16NYS32-79A	15-11	16TYS38-22A	15-55
16N-4-6241	3-3, 15-32, 15-33, 15-41	16NYS32-80A	15-11	16TYS42	15-70
16N-4-6251	3-2, 15-27	16NYS34-9A1	15-13	16TYSB28-53	15-27
16N-4-6261	3-1, 15-27	16NYS34-10A	15-4	16TYSB28-58A	15-49, 15-53
16N-4-6271	3-2, 15-32, 15-33	16NYS34-11A	15-4	16TYSB31-20	15-49, 15-53, 15-66
16N-4-6271-1	4-6, 15-32, 15-33	16NYS34-12	15-13	16TYSB31-20A	15-49, 15-53, 15-66
16N-4-6281X	3-2, 15-31, 15-42	16NYS34-13A1	15-13	16TYSB32-72	15-54, 15-67
16N-4-6291X	3-3, 15-31, 15-42	16NYS34-14A	15-13	16TYSB32-72A	15-54, 15-67
16N-4-6321	3-2, 15-54, 15-67	16NYS34-14A1	15-13	16TYSB32-92A1	15-42
16N-4-6321-1	4-6, 15-41	16NYS34-23A	3-3	16TYSB32-92A1	15-42
16N-4-6431-1X	4-6	16NYS36-7	3-3	16TYSB32-92A1	15-42
16N-4-6871X	15-36, 15-37	16NYS36-8A	15-16	16TYSB32-92A1	15-42
16N-4-6891X	3-3, 15-39	16NYS36-14A1	15-16	16TYSB32-92A1	15-42
16N-4-6951-1X	4-6, 15-36, 15-37	16NYS36A1	15-39	16TYSB32-92A1	15-42
16N-4-6951X	3-2, 15-36, 15-37	16NYS38-8A	3-3, 15-40	16TYSB32-92A1	15-42
16N-4-6961X	3-3, 15-36	16NYS38-11A	3-3, 15-44	16TYSB32-92A1	15-42
16N-4-7171-1	4-6	16NYS38-12	3-3	16TYSB32-92A1	15-42
16N-4-7291X	15-3	16NYS38-12A	3-3, 15-40	16TYSB32-92A1	15-42
16N-4-7301-1X	4-6, 15-9	16NYS38-13A	15-5	16TYSB32-92A1	15-42
16N-4-7301X	15-9	16NYS38-14A	15-5	16TYSB32-92A1	15-42
16N-4-7311X	15-13	16NYS38-15A	15-4	16TYSB32-92A1	15-42
16N-4-7331-1	4-6	16TYS28-8A	15-46	16TYSB32-92A1	15-42
16N-4-7341-1X	4-6	16TYS28-13A	4-6, 15-27	16TYSB32-92A1	15-42
16N-4-7551	15-13	16TYS28-20	15-49, 15-53, 15-66	16TYSB32-92A1	15-42
16N-28-167	5-3	16TYS28-39	15-10	16TYSB32-92A1	15-42
16N-28-207	5-3	16TYS28-44A	15-3	16TYSB32-92A1	15-42
16N-28-327	5-3	16TYS28-51A	15-46	16TYSB32-92A1	15-42
16N-28-627	5-3	16TYS31-16	15-49, 15-53	16TYSB32-92A1	15-42
16N-28-887	5-3	16TYS32-5	4-6	16TYSB32-92A1	15-42
16N-40-1011	7-4	16TYS32-26A	15-30	16TYSB32-92A1	15-42
16N-40-1041	7-4	16TYS32-32	15-34, 15-35, 15-41	16TYSB32-92A1	15-42
16N-40-1051	7-4	16TYS32-32A1	4-6, 15-31, 15-42	16TYSB32-92A1	15-42
16N-40-1191	7-4	16TYS32-32A1	15-34	16TYSB32-92A1	15-42
16N-53-141	7-1, 9-ii	16TYS32-32A3	4-6	16TYSB32-92A1	15-42
16N-53-191	7-1, 9-ii	16TYS32-33A	15-31	16TYSB32-92A1	15-42
16NLS32-47A2 MXL	2-4	16TYS32-49	15-66	16TYSB32-92A1	15-42
16NLS32-48A2 MXL	2-4	16TYS32-55	15-3	16TYSB32-92A1	15-42
16NY61	5-3	16TYS32-59	15-47	16TYSB32-92A1	15-42
16NYS28-4A	3-1	16TYS32-60	15-32, 15-33	16TYSB32-92A1	15-42
16NYS28-5A	15-26	16TYS32-60A	15-31	16TYSB32-92A1	15-42
16NYS28-11	15-26	16TYS32-60A1	15-34	16TYSB32-92A1	15-42
16NYS28-28A	15-3	16TYS32-61	4-6, 15-54, 15-67	16TYSB32-92A1	15-42
16NYS28-45	15-49	16TYS32-65A	15-30	16TYSB32-92A1	15-42
16NYS28-45	15-53, 15-63	16TYS32-75A	15-11	16TYSB32-92A1	15-42
16NYS28-59A	15-10	16TYS32-76	4-6, 15-41	16TYSB32-92A1	15-42
16NYS28-60	3-2	16TYS32-76A	4-6, 15-42	16TYSB32-92A1	15-42
16NYS28-60A	15-10	16TYS32-78A	15-12	16TYSB32-92A1	15-42
16NYS28-64A	3-2	16TYS32-79A	15-11	16TYSB32-92A1	15-42
16NYS30A	3-2, 15-28	16TYS32-81A	15-11	16TYSB32-92A1	15-42
16NYS32-13A	15-36	16TYS32-86A	4-6	16TYSB32-92A1	15-42

NUMERICAL PARTS LISTING

PART NUMBER	PAGE	PART NUMBER	PAGE	PART NUMBER	PAGE
17N-4-3271	3-5	17N-4-5801	15-4	17N-4-7691	15-69
17N-4-3291	3-4	17N-4-5821	3-7, 15-3	17N-4-7691-1	4-9
17N-4-3361	3-4	17N-4-5841	3-9	17N-4-7691-1	15-69
17N-4-3391	3-4, 15-9	17N-4-5961X	3-9, 15-43	17N-4-7771-1X	4-8
17N-4-3501	3-8	17N-4-5991	3-6	17N-4-7771X	3-9, 15-40
17N-4-3611	3-9, 15-57, 15-58	17N-4-6011	3-6	17N-4-7851X	3-9, 15-44
17N-4-3611-1	15-57, 15-58	17N-4-6021X	3-6	17N-4-8341-1X	4-8
17N-4-3721	3-5, 15-3	17N-4-6031	3-8	17N-4-8461	3-8
17N-4-3791	3-6	17N-4-6031-1	4-8	17N-4-8461-1	4-8, 4-9
17N-4-4091	3-4, 15-26	17N-4-6041-1X	4-8	17N-4-8511-1X	4-7
17N-4-4131	3-5, 15-29	17N-4-6041X	3-8	17N-4-8521X	3-4
17N-4-4141	3-4, 15-9	17N-4-6201	15-3	17N-4-8531X	3-6
17N-4-4151	3-5, 15-10	17N-4-6321	3-4, 15-27	17N-4-8551-1X	4-8
17N-4-4161	15-15	17N-4-6331	3-4, 15-27	17N-4-8551X	3-8
17N-4-4171X	3-7, 3-8, 15-15	17N-4-6331-1	15-27	17N-4-8991-1X	4-7
17N-4-4181X	3-5, 15-28, 15-29	17N-4-6371	15-32, 15-33	17N-4-9001-1X	4-7
17N-4-4291X	3-5, 15-30	17N-4-6381X	15-34	17N-4-9001X	3-6
17N-4-4301X	3-4, 15-9	17N-4-6391-1X	4-7, 15-31, 15-42	17N-4-9031X	3-6, 15-11
17N-4-4361X	3-5, 15-28, 15-29	17N-4-6391X	3-6, 15-31	17N-4-9041X	3-6
17N-4-4371	3-4, 15-3	17N-4-6401	15-32, 15-33	17N-4-9041X	3-6
17N-4-4391X	3-5, 3-8, 15-39	17N-4-6411X	3-6, 15-34	17N-4-1981	3-5
17N-4-4421	3-9	17N-4-6421X	3-6, 15-31, 15-42	17N-4-4601	3-8
17N-4-4481X	3-5, 15-28, 15-29	17N-4-6451	3-4	17N-4-4651	3-10
17N-4-4551	3-10	17N-4-6481	3-4	17N-4-6601	3-9
17N-4-4561	3-8, 15-47	17N-4-6611-1	4-9	17N-28-137	5-3
17N-4-4561-1	4-8, 15-47	17N-4-6821	3-10, 15-59, 15-60	17N-28-347	5-3
17N-4-4581	3-9	17N-4-6821-1	15-59, 15-60	17N-40-61	7-4
17N-4-4591	3-7, 3-8, 15-15	17N-4-6841X	3-10, 15-60	17N-40-521	7-4
17N-4-4601-1	4-8, 4-9	17N-4-6861	15-54, 15-55	17N-40-541	7-4
17N-4-4651	15-70	17N-4-6861-1	4-8	17N-40-621	7-4
17N-4-4721	3-5	17N-4-6871X	3-6, 15-36, 15-37	17N-40-631	7-4
17N-4-4721-1	15-10	17N-4-6891X	3-8, 15-39	17N-53-151	7-1, 9-ii
17N-4-4731X	3-5, 15-11	17N-4-6901-1X	4-8, 15-54, 15-55	17N-53-201	7-1, 9-ii
17N-4-4741X	3-5	17N-4-6921-1X	4-9	17N-53-241	7-1, 9-ii
17N-4-4751X	15-18	17N-4-6921X	3-9, 15-57, 15-58	17N-53-311	7-1, 9-ii
17N-4-4771	3-9, 15-47	17N-4-6931-1X	4-9, 15-59, 15-60, 15-62	17N-53-411	7-1, 9-ii
17N-4-4771-1	4-8	17N-4-6931X	3-10, 15-59, 15-60, 15-62	17N-82-1061-3	8-2
17N-4-4831X	3-4, 15-26	17N-4-6941X	3-6, 15-36, 15-37	17N-82-1061-4	8-2
17N-4-4851X	3-5, 3-4	17N-4-6951-1	15-38	17N-82-1061-8	8-2
17N-4-4961	3-7, 15-14	17N-4-6951-1X	4-7, 15-38	17N-82-1061-9	8-2
17N-4-4961-1	15-14	17N-4-6951X	3-6, 15-37	17N-82-1091-2	8-2
17N-4-5031	3-4	17N-4-6961-1X	4-8	17N-82-1171-1	8-2
17N-4-5041-1	15-46	17N-4-6961X	3-9, 15-44	17N-82-1171-2	8-2
17N-4-5041X	3-4, 15-46	17N-4-7041X	15-58	17N-82-1171-5	8-2
17N-4-5061X	3-7, 3-8, 15-14	17N-4-7071-1X	4-9	17N-82-1171-12	8-2
17N-4-5071X	3-8	17N-4-7071X	3-10, 15-69	17N-82-1211	8-2
17N-4-5111X	3-4	17N-4-7141	3-5	17NF1	1-3
17N-4-5131X	3-4	17N-4-7141-1	4-7	17NF20	1-3
17N-4-5141	3-5, 15-10	17N-4-7161	3-9	17NF25	1-3
17N-4-5151X	3-5	17N-4-7171X	3-6	17NF27	1-3
17N-4-5341	3-8, 15-69	17N-4-7181-1X	4-8, 15-40	17NF28	1-3
17N-4-5351	3-10, 15-70	17N-4-7181X	3-9, 15-40	17NLS40-82DC	2-4
17N-4-5451	3-9	17N-4-7231X	3-5	17NLS40-98CA1 MXL	2-4
17N-4-5461-1X	4-8	17N-4-7241X	3-8	17NLS40-121A1MXL	2-4
17N-4-5461X	3-9, 15-43	17N-4-7271X	15-55	17NLS40-124A1 MXL	2-4
17N-4-5481X	3-7, 3-8, 15-15	17N-4-7301	15-54, 15-67	17NY60-15	5-3
17N-4-5501	3-6, 15-38	17N-4-7321-1X	4-7	17NYS26	3-4, 15-25
17N-4-5521	3-6, 15-38	17N-4-7321X	15-13	17NYS28-5	15-3
17N-4-5531X	15-36	17N-4-7371-1	4-8	17NYS28-43A	3-4, 15-27
17N-4-5541	3-6, 15-38	17N-4-7531-1X	4-8, 15-17	17NYS28-55A	15-9
17N-4-5551X	15-36	17N-4-7541	3-7, 15-13	17NYS28-65A	15-10
17N-4-5711	3-8, 15-4	17N-4-7561-1X	4-7	17NYS28-66A	3-4, 15-10
17N-4-5711-1	15-4	17N-4-7561X	3-7	17NYS28-11	3-4
17N-4-5781	3-5, 15-3	17N-4-7621-1	4-7, 15-41	17NYS30	3-4, 15-28
17N-4-5791	3-7	17N-4-7631-1X	4-7, 15-31	17NYS31-13A	15-11
17N-4-5801	3-8	17N-4-7641-1X	4-7, 15-42	17NYS32-10A	15-30

NUMERICAL PARTS LISTING

PART NUMBER	PAGE	PART NUMBER	PAGE	PART NUMBER	PAGE
17NYS32-10A1	15-30	17NYS39-2A	15-18	17TYS34-15A	15-4
17NYS32-21	15-66	17NYS40-37A	15-44	17TYS34-16A	15-4
17NYS32-40A	15-36	17NYS40-106	3-9	17TYS34-18A1	4-7
17NYS32-40A1	3-6	17NYS40-106A	3-9, 15-44	17TYS34-21A	15-13
17NYS32-41A1	3-6	17NYS40-106A1	3-9	17TYS34-22A	15-4
17NYS32-41A2	3-6	17NYS48-43A	15-5	17TYS34-23	15-15
17NYS32-55A3	15-34, 15-35	17NYSM40-122	8-2	17TYS34-23A	15-15
17NYS32-56A3	15-34, 15-35	17NYSM40-169	8-2	17TYS34-26A	15-38
17NYS32-60	3-6	17NYSM40-170	8-2	17TYS34-29	4-7
17NYS32-63A	15-30	17NYSM40-172	8-2	17TYS34-29A	15-38
17NYS32-63A1	15-30	17NYSM40-173	8-2	17TYS34-38AX	15-38
17NYS32-65	15-3	17NYSM40-177	8-2	17TYS36-4	15-67, 15-68
17NYS32-85A	15-11	17TYS26-3	15-25	17TYS36-48A	15-55
17NYS32-86A	15-11	17TYS28-7	15-9	17TYS36-52A	4-8, 15-39
17NYS32-90A	15-12	17TYS28-43A	15-27	17TYS36-54A	15-68
17NYS32-91A	3-6, 15-12	17TYS28-51	15-10	17TYS36-55A	15-55
17NYS32-93A	15-11	17TYS28-57	4-7	17TYS36-58A1	4-8, 15-16
17NYS32-99	3-6, 15-41	17TYS28-57A	4-7, 15-27	17TYS36-59A	15-39
17NYS32-99A	3-6, 15-42	17TYS28-58A	15-9	17TYS36-61A	15-16
17NYS32-99A3	3-6	17TYS28-59A	15-10	17TYS36-62A	4-8, 15-16
17NYS32-100	3-6, 15-41	17TYS28-60	15-9	17TYS37-1A	4-8
17NYS32-100A	3-6	17TYS28-62A	15-46	17TYS38-7	15-48
17NYS32-100A1	3-6	17TYS28-63	4-7	17TYS38-22	15-47
17NYS32-100A2	3-6	17TYS28-64	15-9	17TYS38-32A	15-40
17NYS34-5	3-7, 3-8	17TYS31-19	15-3	17TYS38-41A	15-4
17NYS34-5A	15-15	17TYS31-36A	15-11	17TYS38-42A	15-5
17NYS34-9A	3-7, 15-3	17TYS31-49A	15-10	17TYS38-43	15-5
17NYS34-10	15-4	17TYS31-55	15-3	17TYS38-43A	15-5
17NYS34-14A1	15-13	17TYS31-57A	15-11	17TYS38-44A1	15-17
17NYS34-15	3-7	17TYS31-58A	15-10	17TYS38-44A	15-17
17NYS34-15A	15-4	17TYS31-59A	15-28, 15-29	17TYS38-50A	15-55
17NYS34-16A	15-4	17TYS31-62	15-49, 15-53	17TYS38-52A	15-43
17NYS34-17	15-13	17TYS31-66A	4-7	17TYS38-53A	15-44
17NYS34-18	3-7	17TYS32-21	15-66	17TYS38-53A1	15-43
17NYS34-18A1	3-7, 15-13	17TYS32-55A	15-31	17TYS38-55	15-48
17NYS34-19	3-7	17TYS32-55	15-32, 15-33	17TYS38-58A	15-4
17NYS34-19A	15-13	17TYS32-56	15-32, 15-33	17TYS38-59A	15-5
17NYS34-19A1	3-7, 15-13	17TYS32-56A1	15-34	17TYS38-62	15-47
17NYS34-20	3-7	17TYS32-59	15-3	17TYS38-64A	15-55
17NYS34-20A	3-7	17TYS32-60	4-7	17TYS38-70A	4-8, 15-44
17NYS34-29	3-7	17TYS32-60A	4-7	17TYS38-70A1	15-43
17NYS34-29A	3-7, 15-38	17TYS32-65	15-3	17TYS38-71	4-8
17NYS36-19A	15-39	17TYS32-66	15-54, 15-67	17TYS38-71A	15-40
17NYS36-48A	15-55	17TYS32-67	15-47	17TYS38-75A	4-8
17NYS36-57A1	15-16	17TYS32-68	15-32, 15-33	17TYS38-76	4-8
17NYS36-60A	15-16	17TYS32-68A2	15-34, 15-35	17TYS38-76A	4-8
17NYS36-62A	3-8, 15-16	17TYS32-69	15-38	17TYS38-76A2	4-8, 15-40
17NYS36A	15-39	17TYS32-69A	15-36	17TYS38-76A5	4-8, 15-40
17NYS38-17	3-9	17TYS32-70A	15-36	17TYS38-78A	4-8
17NYS38-17A	15-43	17TYS32-70A1	15-37	17TYS39-2A	15-18
17NYS38-17A2	3-9, 15-44	17TYS32-73	4-7, 15-54, 15-67	17TYS39-3A	15-18
17NYS38-31	3-9	17TYS32-75	15-66	17TYS39-4A	15-18
17NYS38-32A2	3-9	17TYS32-76	15-3	17TYS40-9	15-57, 15-58
17NYS38-32A3	15-40	17TYS32-77	15-47	17TYS40-125A	15-57, 15-58
17NYS38-38	3-9	17TYS32-83A	15-30	17TYS40-131A	15-58
17NYS38-41A	15-4	17TYS32-89A	15-11	17TYS40-143A	15-58
17NYS38-42A	15-5	17TYS32-91A	4-7, 15-12	17TYS40-144A	15-57
17NYS38-44A	15-17	17TYS32-92A	4-7, 15-11	17TYS40-144A	15-58
17NYS38-44A1	3-9, 15-17	17TYS32-94A	4-7, 15-12	17TYS40-151A	15-44
17NYS38-61	3-9	17TYS32-96	15-32, 15-33	17TYS40-152	4-9
17NYS38-61A	3-9, 15-40	17TYS32-96A	15-31	17TYS42-1	15-70
17NYS38-62	15-47	17TYS32-96A1	15-34	17TYS42-4	15-70
17NYS38-63	3-9, 15-43	17TYS32-99	4-7, 15-41	17TYS42-5A	15-69
17NYS38-69A	15-43	17TYS34-3A	15-15	17TYS44-5	15-70
17NYS38-78	3-9	17TYS34-14A1	4-7, 15-13	17TYS44-7A	15-59, 15-60
17NYS39-1A	15-18	17TYS34-14A	15-13	17TYS44-11	15-70

NUMERICAL PARTS LISTING

PART NUMBER	PAGE	PART NUMBER	PAGE	PART NUMBER	PAGE
17TYS44-12A	15-60	18N-4-3451-1	4-12	18NYS38-15	3-13
17TYS44-14	4-9	18N-4-3491	15-59, 15-60	18NYS38-19A	15-5
17TYS44-16A	4-9	18N-4-3491-1	4-13, 15-59, 15-60	18NYS38-21	3-13
17TYS45	4-9, 15-60, 15-61	18N-4-3501X	15-60	18NYS38-23	15-47
17TYSB32-84	15-54, 15-67	18N-4-3541	15-69	18NYS38-25A	15-43
17TYSB32-84A	15-54, 15-67	18N-4-3541-1X	15-69	18NYS38-27	3-13
17TYSB32-98A	4-7, 15-42	18N-4-3551-1X	4-12, 15-57, 15-58, 15-62	18NYS38-27A1	3-13
17TYSB32-98A	4-7, 15-42	18N-4-3551X	3-13, 15-57, 15-58, 15-62	18NYS38-27A2	3-13
17TYSB32-98A	4-7, 15-42	18N-4-03556-1X	4-12, 15-40	18NYS38-27A5	3-13, 15-40
17TYSB32-98A	4-7, 15-42	18N-4-3561-1X	4-13, 15-59, 15-60, 15-62	18NYS40-5	3-13
17TYSB32-98A	4-7, 15-42	18N-4-3561X	15-59, 15-60, 15-62	18NYS40A	15-44
17TYSB32-98A	4-7, 15-42	18N-4-3571X	3-12, 15-37	18NYS44-3	3-14
17TYSB32-98A	4-7, 15-42	18N-4-3581-1X	4-12, 15-44	18NYS45	15-60, 15-61
17TYSB32-98A	4-7, 15-42	18N-4-3581X	3-13, 15-44	18NYS48-1A	15-44
17TYSB32-98A	4-7, 15-42	18N-4-3591	3-13	18NYSB38-1	15-40
17TYSB32-98A	4-7, 15-42	18N-4-3591-1	4-12	18TYS31-1A	15-11
17TYSB32-98A	4-7, 15-42	18N-4-3621-1X	4-12, 15-58	18TYS31-5A	4-11
17TYSB32-98A	4-7, 15-42	18N-4-3621X	15-58	18TYS32-3A	15-36
17TYSB32-98A	4-7, 15-42	18N-4-3641X	15-4	18TYS32-3A1	15-37
17TYSB32-98A	4-7, 15-42	18N-4-3691X	3-12, 15-13	18TYS32-12	15-32, 15-33
17TYSB32-98A	4-7, 15-42	18N-4-3721-1	4-12	18TYS32-12A1	4-11, 4-12, 15-31, 15-42
17TYSB32-98A	4-7, 15-42	18N-4-3731-1X	4-12, 15-40	18TYS32-12A2	4-11, 15-34, 15-35
17TYSB32-98A	4-7, 15-42	18N-4-3731X	3-13, 15-40	18TYS32-18A	4-11
17TYSB32-98A	4-7, 15-42	18N-4-3821	15-69	18TYS34-2A1	15-13
17TYSB32-98A	4-7, 15-42	18N-4-3821-1	15-69	18TYS34-4AX	15-38
17TYSB32-98A	4-7, 15-42	18N-4-3841-1	4-11, 15-34	18TYS34-5	4-11
17TYSB32-98A	4-7, 15-42	18N-4-3911-1	4-12	18TYS34-5A	15-38
17TYSB32-98A	4-7, 15-42	18N-4-3921-1X	4-12	18TYS36-15A	15-55
17TYSB32-98A	4-7, 15-42	18N-4-3921X	3-13, 15-17	18TYS36-16A1	15-16
17TYSB32-98A	4-7, 15-42	18N-4-3931	15-13	18TYS36-17	4-12
17TYSB32-98A	4-7, 15-42	18N-4-4271-1X	4-12	18TYS36-17A	15-39
17TYSB32-98A	4-7, 15-42	18N-4-4351-1X	4-12, 15-16	18TYS36-20A	4-12, 15-16
17TYSB32-98A	4-7, 15-42	18N-4-4351X	3-12	18TYS38-9	4-12
17TYSB32-98A	4-7, 15-42	18N-4-4571-1X	4-12	18TYS38-15	4-12
17TYSB32-98A	4-7, 15-42	18N-4-4601X	3-12, 15-13	18TYS38-19A	15-5
17TYSB32-98A	4-7, 15-42	18N-4-4611X	3-13, 15-17	18TYS38-20A	15-4
17TYSB32-98A	4-7, 15-42	18N-4-1891	3-12	18TYS38-21A	15-17
17TYSB32-98A	4-7, 15-42	18N-4-2171	3-14	18TYS38-21A1	15-17
17TYSB32-98A	4-7, 15-42	18N-28-117	5-3	18TYS38-24	4-12, 15-47
17TYSB32-98A	4-7, 15-42	18N-28-127	5-3	18TYS38-27A	4-12
17TYSB32-98A	4-7, 15-42	18N-40-191	7-5	18TYS38-27A5	4-12, 15-40
17TYSB32-98A	4-7, 15-42	18N-40-201	7-5	18TYS39A	15-18
17TYSB32-98A	4-7, 15-42	18N-53-51	7-1, 9-ii	18TYS40-9A	4-13
17TYSB32-98A	4-7, 15-42	18N-53-91	7-1, 9-ii	18TYS44-3A	15-60
17TYSB32-98A	4-7, 15-42	18N-53-171	7-1, 9-ii	18TYS44-12A	4-13
17TYSB32-98A	4-7, 15-42	18NYS31A	15-28, 15-29	18TYS45	4-13, 15-60
17TYSB32-98A	4-7, 15-42	18NYS32-1A	15-30	20RLS40-2A1S	2-2
17TYSB32-98A	4-7, 15-42	18NYS32-3	15-38	20RLS40-3A1S	2-2
17TYSB32-98A	4-7, 15-42	18NYS32-12A2	15-34, 15-35	20RLS40-11A1S	2-2
17TYSB32-98A	4-7, 15-42	18NYS32-12A2	3-12	20RY60-7	5-2
17TYSB32-98A	4-7, 15-42	18NYS32-12A3	15-31	20RY60-6	5-2
17TYSB32-98A	4-7, 15-42	18NYS32-17A	15-34	20RYSM40-47	8-2
17TYSB32-98A	4-7, 15-42	18NYS32-17A1	15-34, 15-35	20RYSM40-48	8-2
17TYSB32-98A	4-7, 15-42	18NYS32-17A2	15-31	20RYSM40-49	8-2
17TYSB32-98A	4-7, 15-42	18NYS34-3A1	3-12, 15-13	20RYSM40-50	8-2
17TYSB32-98A	4-7, 15-42	18NYS34-4A	15-38	20RYSM40-51	8-2
17TYSB32-98A	4-7, 15-42	18NYS34-5A	3-12, 15-38	20RYSM40-52	8-2
17TYSB32-98A	4-7, 15-42	18NYS36-16A1	15-16	20RYSM40-53	8-2
17TYSB32-98A	4-7, 15-42	18NYS36-17	3-12	20WYS28-1A	3-23, 15-10
17TYSB32-98A	4-7, 15-42	18NYS36-17A	15-39	20WYS28-2A	3-23, 15-10
17TYSB32-98A	4-7, 15-42	18NYS36-19A	15-16	20WYS32-1	15-35
17TYSB32-98A	4-7, 15-42	18NYS36-20A	3-12	20WYS32-1A	15-35
17TYSB32-98A	4-7, 15-42	18NYS36-20A	15-16	20WYS32-2	3-23, 15-35, 15-41
17TYSB32-98A	4-7, 15-42	18NYS36A	15-39	20WYS32-2A	3-23, 15-35, 15-42
17TYSB32-98A	4-7, 15-42	18NYS38-6A	3-13	20WYS32-5A	3-23
17TYSB32-98A	4-7, 15-42	18NYS38-8A3	15-44	20WYS32-6A	3-23

NUMERICAL PARTS LISTING

PART NUMBER	PAGE	PART NUMBER	PAGE	PART NUMBER	PAGE
20WYS32-7A	3-23, 15-12	58WBYS28-1	3-15	62NYS32-48	15-32, 15-33
20WYS32-8A	3-23, 15-12	58WBYS28-3	15-26	62NYS32-48A	3-16, 15-31, 15-42
20WYS32-9A	3-23, 15-12	58WBYS28-3A	15-26	62NYS36-2	3-16
20WYS32-10A	3-23, 15-11	58WBYS28-14	3-15	62NYSB24-31	1-6, 15-25
20WYS32-17	3-23, 15-41	58WBYS28-54	15-49, 15-53, 15-66	72NLS32-1DC	2-5
20WYS32-17A	3-23, 15-42	58WBYS28-6	3-15	72NLS32-20DC	2-5
20WYS34-1A	3-23, 15-13	58WBYS28-82	3-15	72NLS32-142A	2-5
20WYS34-2A	3-23, 15-13	58WBYS28-144	15-46	72NY52-20	5-4
20WYS34-3A	3-23, 15-14	58WBYS28-145	3-15	72NYR24-2	3-22
20WYS34-4A	3-23, 15-14	58WBYS28-154	15-49, 15-53	72NYS24	3-17
20WYS36-1A	3-23, 15-16	58WBYS28-162A	15-46	72NYS24-22	3-17
20WYS36-2A	3-23	58WBYS28-163	15-46	72NYS24-25A	15-25
20WYS36-3A	3-23, 15-16	58WBYS28-172	3-15	72NYS24A1	15-25
20WYS38-1A	15-40	58WBYS28-182A	15-27	72NYS26-3	3-17
20WYS38-3A	3-23, 15-40	58WBYS28-186A	3-15, 15-27	72NYS26-7	3-17
20WYS38-4A	3-23, 15-40	58WBYS28-218	15-49, 15-53, 15-63	72NYS28-1	3-17
20WYS38-8	3-23	58WBYS28-51	3-15	72NYS28-2	3-17
20WYS38-8A	3-23, 15-44	58WBYS30	3-15	72NYS28-5	3-17
20WYS38-10A	3-23, 15-44	58WBYS30-7	15-46	72NYS28-6	3-17
20WYS38-10A1	3-23	58WBYS31-13	3-15	72NYS28-10	3-17
20WYS38-11A	3-23, 15-17	58WBYS31-21	3-15	72NYS28-18	15-49, 15-53, 15-66
20WYS40-2A	3-23, 15-57, 15-62	58WBYS32-39	15-66	72NYS28-23	3-17
20WYS40-3	3-24, 15-59	58WBYS32-41A	15-30	72NYS28-42	15-26
20WYS40-4A	3-24, 15-59	58WBYS32-44	15-54, 15-67	72NYS28-42A	15-26
20WYS44-2A	3-24, 15-60, 15-62	58WBYS32-47	15-32, 15-33	72NYS28-51	3-17
20WYS45	3-24, 15-60, 15-61	58WBYS32-47A	15-31	72NYS28-66	15-46
20WYS57-1	3-24	58WBYS32-47A2	15-34	72NYS28-84	3-17
20WYSC38-18	3-23	58WBYS34-7	3-15, 15-14, 15-15	72NYS28-123	3-17
25RLS48-1A1S	2-2	58WBYSB30-6	1-6, 15-46	72NYS28-141	3-17, 15-46
25RPL-SLIP	7-5, 7-6	62NLS28-2A	2-5	72NYS28-141A	3-17
25RY68-3	5-2	62NLS28-3DC	2-5	72NYS28-162A	15-27
25WYS36-1A	3-25, 15-16	62NLS28-43DC	2-5	72NYS28-165	15-27
25WYS36-2A	3-25	62NLS28-82A	2-5	72NYS28-166	3-17
25WYS36-3A	3-25, 15-16	62NPS28	7-3	72NYS28-166A	3-17, 15-27
25WYS38-6A	3-25, 15-17	62NPS28-4	7-4	72NYS28-174A	15-26
25WYS38-8A	3-25, 15-44	62NY52-7	5-4	72NYS28-176	15-27
25WYS38-8A1	3-25	62NY53-1	5-4	72NYS28-177	3-17, 15-27
25WYS38-9A1	3-25	62NYS22-9A	15-24	72NYS28-179	15-27
25WYS38-13	3-25	62NYS22-10	3-16	72NYS28-183	3-17
25WYS38-13A	3-25, 15-40	62NYS24-17	3-16	72NYS28-200	3-17
25WYS38-13A1	3-25	62NYS24-17A1	3-16, 15-25	72NYS28-65	3-17
25WYS38-13A4	3-25	62NYS24-36	15-25	72NYS30-1	15-46
25WYS40-2A	3-25, 15-57, 15-62	62NYS26-11	3-16	72NYS30-2	3-17, 15-28
25WYS40-3	3-25, 15-59	62NYS26-11A	3-16	72NYS30-2A	3-17
25WYS40-4A	3-25, 15-59	62NYS26-13	3-16, 15-25	72NYS30-3	3-17
25WYS44-2	3-25	62NYS28-21	3-16	72NYS31	3-18
25WYS44-2A	3-25, 15-60, 15-62	62NYS28-26	3-16	72NYS31-1	3-18
25WYS45	3-25, 15-60, 15-61	62NYS28-32	3-16	72NYS31-2	3-18
25WYS57-1	3-25	62NYS28-111	15-26	72NYS31-2A	3-18, 15-10
25WYSC38-11	3-25	62NYS28-111A	15-26	72NYS31-3	3-18, 15-29
40-X-1233	9-3, 15-1	62NYS28-123	3-16, 15-26	72NYS31-3A	15-28, 15-29
40-X-1236	15-1	62NYS28-123A	3-16, 15-26	72NYS31-4	3-18, 15-29
40-X-1237	9-3, 15-1	62NYS28-154A	15-27	72NYS31-4A	3-18, 15-28, 15-29
40-X-1236	9-3	62NYS28-155	3-16	72NYS31-8	3-18, 15-29
50NPS28-45	7-4	62NYS28-155A	3-16, 15-27	72NYS31-8A	15-28, 15-29
58WBLS28-41A	2-5	62NYS28-160	3-16	72NYS31-27	3-18
58WBLS28-42A	2-5	62NYS28-160A	3-16, 15-27	72NYS31-93	3-18
58WBYS3-1	5-4	62NYS28-195	15-26	72NYS32	3-18
58WBYSR24-6	3-22	62NYS28-195A	15-26	72NYS32-9	3-18
58WBYSR26	3-22	62NYS28-201A	15-27	72NYS32-12	3-18
58WBYSR32-34	3-22	62NYS28-202	3-16	72NYS32-16	3-18
58WBYS22-3	3-15	62NYS28-202A	3-16	72NYS32-39	3-18
58WBYS24	15-63	62NYS28-202A	15-27	72NYS32-48	3-18, 15-30
58WBYS24-1A	15-25	62NYS30-22	15-46	72NYS32-104	3-18
58WBYS24-7	15-63	62NYS31-5	3-16	72NYS32-110	3-18
58WBYS25-8	3-15	62NYS32-16A	15-30	72NYS32-157	15-66

NUMERICAL PARTS LISTING

PART NUMBER	PAGE	PART NUMBER	PAGE	PART NUMBER	PAGE
72NYS32-172	15-66	82NY58	5-4	92NYS28-5	15-27
72NYS32-219	3-18, 15-38	82NY58-2	5-4	92NYS28-6	3-21
72NYS32-219A	15-37	82NY60-19	5-4	92NYS31-2	15-11
72NYS32-219A1	15-36	82NYS28-36	15-27	92NYS32-2A	15-30
72NYS32-220	3-18, 15-38	82NYS31-5	15-29	92NYS32-5A	15-30
72NYS32-220A	3-18, 15-37	82NYS31-5A	15-28, 15-29	92NYS32-15	15-38
72NYS32-220A1	15-36	82NYS31-6	15-29	92NYS32-25	3-21, 15-32, 15-33, 15-41
72NYS32-221	3-18, 15-38	82NYS31-6A	15-28, 15-29	92NYS32-25A	3-21, 15-34
72NYS32-221A	15-37	82NYS31-32	3-20	92NYS32-26	3-21, 15-32, 15-33, 15-41
72NYS32-221A2	15-36	82NYS31-16	3-20	92NYS32-26A	3-21, 15-31, 15-42
72NYS32-222	3-18, 15-38	82NYS32	3-20	92NYS32-27	3-21
72NYS32-222A	15-36	82NYS32-56A	15-30	92NYS33-2	3-21
72NYS32-222A1	3-18, 15-37	82NYS32-69	15-38	92NYS34-6A	15-14
72NYS32-244	3-18, 15-32, 15-33, 15-41	82NYS32-69A1	15-36	92NYS36-6A1	15-39
72NYS32-244A	3-18, 15-31, 15-42	82NYS32-70	3-20, 15-38	92NYS36-41	3-21, 15-67, 15-68
72NYS32-244A1	3-18, 15-34	82NYS32-70A	15-37	92NYS36-62A	15-27
72NYS32-245	15-32, 15-33	82NYS32-70A1	15-36	92NYS36-68A	15-55
72NYS32-245A	15-31	82NYS32-74	3-20, 15-32, 15-33, 15-41	92NYS36-73A1	15-16
72NYS32-245A1	15-34	82NYS32-74A	3-20, 15-34	92NYS36-74	3-21, 15-16
72NYS32-250	3-18, 15-54, 15-67	82NYS32-74A1	3-20, 15-31, 15-42	92NYS36-74A	3-21, 15-16
72NYS32-256	3-18	82NYS32-74A2	15-34, 15-35	92NYS36-75A	3-21, 15-17
72NYS32-302	15-30	82NYS36-26	3-20	92NYS38-12	3-21, 15-47
72NYS33	3-19	82NYS36-26A	15-39	92NYS38-39	3-21
72NYS34-24	3-19	82NYS36-26A1	15-39	92NYS38-39A	3-21, 15-43
72NYS34-24A	15-15	82NYS36-30A	15-39	92NYS38-45	15-69
72NYS34-28	3-19	82NYS36-30A1	15-39	92NYS38-46A	3-21
72NYS34-41	15-13	82NYS36-63	15-67, 15-68	92NYS38-46A1	15-43
72NYS34-41A	15-13	82NYS38-12	15-48	92NYS38-52	3-21
72NYS34-42	3-19	82NYS38-14A	15-43	92NYS38-52A	3-21, 15-43
72NYS34-42A	15-13	82NYS38-15	3-20	92NYS38-52A2	15-44
72NYS34-42A1	3-19, 15-13	82NYS38-15A	3-20, 15-43	92NYS38-67	3-21
72NYS36-1	3-19	82NYS38-28A	15-44	92NYS38-68	15-48
72NYS36-13	3-19	82NYS38-31A	3-20, 15-40	92NYS38-69	3-21
72NYS36-19	3-19	82NYS38-32A	15-40	92NYS38-69A	3-21
72NYS36-22	3-19	82NYS38-33A	15-17	92NYS38-73A	3-21, 15-40
72NYS36-38	3-19	82NYS38-33A1	15-17	92NYS38-75	3-21
72NYS36-40	3-19	82NYS38-34A	15-43	92NYS38-75A	15-17
72NYS36-40A1	15-39	82NYS40-28	3-20, 15-55, 15-56	92NYS38-75A1	3-21
72NYS36-51	15-67	82NYS40-30A	15-44	92NYS38-76	15-47
72NYS36-51	15-68	85WBY60-11	5-4	92NYS39A	15-18
72NYS36-54	3-19	85WBY531-4	15-29	92NYS40	15-48
72NYS36-54A	15-39	85WBY532-11	15-38	92NYS40-3	15-48
72NYS36-54A2	3-19, 15-39	85WBY532-20	15-32, 15-33, 15-41	92NYS40-17	3-21
72NYS36-97A	15-39	85WBY532-20A	15-31, 15-42	92NYS40-17A	3-21
72NYS38	15-47	85WBY532-20A1	15-34	92NYS40-35	15-48
72NYS38-1	15-47	85WBY532-20A2	15-34, 15-35	92NYS40-39A	15-58
72NYS38-2	15-47	85WBY534-4	15-38	92NYS40-40A	15-57, 15-58
72NYS38-4	15-47	85WBY538-2	15-47	92NYS40-41	15-69
72NYS38-10	15-47	85WBY538-14A	15-40	92NYS42-4	3-22
72NYS38-15A	15-43	85WBY538-19A	15-43	92NYS42-14	15-70
72NYS38-20A	15-44	85WBY540-34	15-57, 15-58	92NYS42-16	15-48
72NYS38-22A	15-44	85WBY540-34A	15-57, 15-58	92NYS42-18	3-22, 15-69
72NYS38-24A	15-40	85WBY544-1	15-59, 15-60	92NYS42-18A	15-69
72NYS38-26A	3-19	85WBY544-1A	15-59, 15-60	92NYS44-18	3-22, 15-70
72NYS38-26A	15-40	85WBY548-14	15-48	92NYS44-19	3-22
72NYS38-31A	15-40	85WBY5B36-30	1-6	92NYS44-22A	3-22, 15-59, 15-60, 15-62
72NYS40-99	3-19, 15-55, 15-56	85WBY5B38-16	1-6	92NYS44-23A	15-60
72NYS40-99A	15-55, 15-56	90N-70-28X	9-9	92NYS44-22	3-22
72NYSB32-258	1-6, 15-31, 15-42	92NF26	1-3	92NYS45-2	3-22
72NYSB32-323	15-42	92NLS48-3DC	2-5	92NYS48-72A	15-44
72NYSM32-58	8-3	92NLS48-47DC	2-5	92NYS51	3-22
72NYSM40-12	8-3	92NLS48-66A	2-5	92NYSB36-72	1-6
72NYSM40-87	8-3	92NY64	5-4	92NYS38-106	3-21
82NLS40-83A	2-5	92NY66	5-4	121N-2-686	1-2
82NLS40-85A	2-5	92NY68-2	5-4	121N-2-899	1-2
82NPS40	7-4	92NYR28-3	3-22	121N-2-1049	1-2

NUMERICAL PARTS LISTING

PART NUMBER	PAGE	PART NUMBER	PAGE	PART NUMBER	PAGE
121N-2-1050	1-2	131N-40-1811	7-3	141N-53-1371	7-2
121N-2-2323	1-2	131N-40-1851	7-3	141NYS22A	4-3, 15-24
121N-3-686X	2-6	131N-40-1871	7-3	141NYS22A4	15-24
121N-3-1224-1X	2-6	131N-40-2051	7-3	141NYS24-4	4-3
121N-3-1224X	2-6	131N-40-2091	7-3	141NYS24A	15-9
121N-3-2321X	2-6	131N-53-711	7-2	141NYS24A4	15-25
121N-3-8861KX	2-1	131N-53-711-1	7-2	141NYS28-19A	4-3
121N-3-8961KX	2-1	131N-83-288X	12-6	141NYSB28-4	1-4
121N-28-1947	5-1	131N-83-388X	12-6	141NYSB29A1	15-46
121N-40-1741	7-3	131N-CV82-HD	12-4	141TYS22-8A	15-24
121N-40-2211	7-3	133N-3-7681KX	2-1	141TYS22A	15-24
121N-40-2301	7-3	133N-3-7961KX	2-1	141TYS24-2A1	15-9
121N-53-471	7-2	133N-3-8041KX	2-1	141TYS24-6	15-63
121N-53-501	7-2	133N-4-5441	4-2	141TYS28-17	15-9
121N-53-691	7-2	133N-28-1177	5-1	141TYS28-17A	15-9
121N-83-489X	12-6	133N-28-1697	5-1	141TYS28-18	15-49, 15-53, 15-63
131N-2-329	1-2	133N-28-1707	5-1	141TYS28-19	15-46
131N-2-349	1-2	133N-28-1717	5-1	141TYSB22-4	15-46
131N-2-479	1-2	133N-28-1977	5-1	141TYSB22-4A	1-4, 15-46
131N-2-579	1-2	135N-2-119	1-2	141TYSB22-11	1-5
131N-2-799	1-2	135N-3-488KX	2-1	141TYSB22-11A	1-5
131N-2-799-1	1-2	135N-3-598KX	2-1	141TYSB22-17A	1-5
131N-2-899-1	1-2	135N-3-758KX	2-1	141TYSB22-18A	1-5
131N-2-939	1-2	135N-3-1501KX	2-1	141TYSB24-6A	1-4, 15-63
131N-3-128KX	2-1	135N-3-1561KX	2-1	141TYSB24-6	1-4
131N-3-4441KX	2-1	135N-3-2471KX	2-1	141TYSB28-20X	15-49, 15-53
131N-3-6061KX	2-1	135N-28-47	5-1	141TYSB29-1A	1-5
131N-3-7171KX	2-1	135N-28-57	5-1	148DYS22-4A	15-24
131N-3-7260KX	2-3	135N-28-57-1	5-1	148DYS22A	15-24
131N-3-7981KX	2-1, 12-8	135N-28-57-2	5-1	148DYS24-2A	15-25
131N-3-8001KX	2-1	135N-28-427	5-1	148DYS28-16	15-49, 15-53, 15-63
131N-3-8021KX	2-1	135N-40-1101	7-3	148DYS28-18A	15-3
131N-4-473	3-14	135N-40-1471	7-3	148DYS28A	15-27
131N-4-503	3-14	135N-40-1491	7-3	148N-1-4481X	15-46
131N-4-533	3-14, 12-8	135N-40-1531	7-3	148N-1-6081X	1-1, 15-49, 15-53
131N-4-573	3-14	135N-40-1561	7-3	148N-2-479	1-2
131N-4-583	3-14	135N-40-1611	7-3	148N-3-1601KX	2-1
131N-4-783	3-14	135N-53-1181	7-2	148N-3-1641KX	2-1
131N-4-803	3-14	135N-53-1181-1	7-2	148N-4-3091	4-4
131N-4-1233	3-14	135N-53-1181-2	7-2	148N-4-3571	4-4, 15-9
131N-4-8091X	4-2	135N-53-1351	7-2	148N-4-3731	15-25
131N-4-4341	4-2	141DYS22A	15-24	148N-4-3781	4-4, 15-9
131N-4-3331	3-1	141DYS28A	15-24	148N-4-3861	4-4
131N-26-367	12-5	141N-2-159	1-2	148N-4-4421X	4-4
131N-26-497	12-5	141N-2-429	1-2	148N-4-5821X	15-10
131N-28-277	5-1	141N-3-118KX	2-1	148N-4-6051X	15-9
131N-28-307	5-1	141N-3-508KX	2-1	148N-4-8051-1X	4-4, 15-27
131N-28-327	5-1	141N-3-788KX	2-1	148N-4-8051X	15-27
131N-28-357	5-1	141N-3-1481KX	2-1	148N-4-8961X	15-24
131N-28-367	5-1	141N-3-2041KX	2-1	148N-4-10471-1X	4-4
131N-28-397	5-1	141N-4-1841	4-3	148N-4-3061	4-4
131N-28-417	5-1	141N-4-2241	4-3	148N-4-3081	4-4
131N-28-427	5-1	141N-4-2241X	15-25	148N-28-507	5-1
131N-28-437	5-1	141N-4-2511	4-3	148N-28-537	5-1
131N-28-1617	5-1	141N-4-3941	4-3	148N-28-547	5-1
131N-28-1757	5-1	141N-4-5581-1X	15-9	148N-28-567	5-1
131N-40-138-2	12-8	141N-4-5581X	15-9	148N-40-1391	7-3
131N-40-1031	7-3	141N-4-6561	4-3	148N-40-1571	7-3
131N-40-1221	7-3	141N-4-6631X	4-3	148N-53-451	7-2
131N-40-1231	7-3	141N-4-8061X	15-27	148NYS22-1A	15-24
131N-40-1251	7-3	141N-28-97	5-1	148NYS24-7A	15-63
131N-40-1291	7-3	141N-28-367	5-1	148NYS24A2	15-25
131N-40-1521	7-3	141N-28-557	5-1	148NYS28-30A	15-10
131N-40-1701	7-3	141N-53-1031	7-2	148NYS28-36	4-4
131N-40-1711	7-3	141N-53-1081	7-1, 9-ii	148NYS31-3	15-3
131N-40-1771	7-3	141N-53-1361	7-2	148NYS32-7A	15-3

NUMERICAL PARTS LISTING

PART NUMBER	PAGE	PART NUMBER	PAGE	PART NUMBER	PAGE
148NYS32-9A	15-11	155NYS24-3A	15-9	176N-4-121	3-10
148NYS32-10A	15-11	155NYS24-3A1	15-25	176N-4-131-1X	15-18
148NYS34	15-4	155NYS24-6	4-5, 15-25	176N-4-141	15-15
148NYS34-1	15-4	155NYS28-5A	4-5, 15-27	176N-4-141-1	15-15
148NYSB24-7A	15-63	155NYS38	15-4	176N-4-151	3-11
148NYSB29	1-4	155RY62	5-2	176N-4-161-1	4-10
148NYSB29A	1-4, 15-46	155TYS28-1	4-5	176N-4-171X	15-68
148TYS22A	4-4, 15-24	155TYS28-1A	4-5	176N-4-181X	3-10, 15-30
148TYS24-2A1	15-9	155TYS28-8	15-49, 15-53, 15-66	176N-4-201X	15-39
148TYS28-16	15-49, 15-53, 15-63	155TYS28-15A	15-9	176N-4-211-1X	4-10, 15-43
148TYS28-17	15-46	155TYS28-20	15-46	176N-4-211X	3-11, 15-43
148TYS28-19A	15-9	155TYS28-23	15-10	176N-4-231X	15-14
148TYS28-23A	15-10	155TYS28-26	4-5	176N-4-241X	15-18
148TYS28-25	15-10	155TYS28-49	4-5	176N-4-251X	15-15
148TYS32-3	15-3	155TYS28-49A	4-5	176N-4-271	3-11, 15-47
148TYS32-3A	15-3	155TYS31-6	15-49, 15-53	176N-4-271-1	4-10, 15-47
148TYS32-4	4-4, 15-32, 15-33, 15-41	155TYS32-2	15-32, 15-33	176N-4-291-1	4-10
148TYS32-4A	4-4, 15-31, 15-42	155TYS32-2A	15-34	176N-4-321	3-11
148TYS32-5	15-54, 15-67	155TYS32-2A1	15-31	176N-4-331-1X	4-10
148TYS32-7A	15-11	155TYS32-6	4-5, 15-32, 15-33, 15-41	176N-4-331X	3-11
148TYS32-14A	15-11	155TYS32-6A	4-5, 15-31, 15-42	176N-4-381	3-11, 15-48
148TYS32-15A	15-11	155TYS32-6A3	4-5, 15-34	176N-4-391	3-11
148TYS34-1	15-4	155TYS32-23A	15-30	176N-4-411	3-10
148TYS34-2	15-4	155TYS32-27A	15-11	176N-4-421	3-10
148TYS34-3	15-38	155TYS32-31A	15-11	176N-4-441	3-11
148TYSB24-4A	15-63	155TYS34	15-15	176N-4-531	3-10, 15-32, 15-33, 15-41
148TYSB28-7	15-49, 15-53	155TYS34-1	15-4	176N-4-531-1	4-10, 15-41
148TYSB28-9A	15-49, 15-53	155TYS34-6A	15-38	176N-4-541-1X	4-10
148TYSB28-11A	1-4, 15-46	155TYS36-1A1	15-16	176N-4-541X	3-10, 15-34
148TYSB28-20A	15-46	155TYS36A	15-16	176N-4-651-1	4-11
148TYSB29-1	1-4, 15-46	155TYS38-2	15-4	176N-4-701	15-54, 15-55
148TYSB29-1A	1-4	155TYS38-3	15-5	176N-4-711	15-59, 15-60
148TYSB32-2A	1-4	155TYSB24-5	1-4	176N-4-711-1	15-59, 15-60
155DYS22-2A	15-24, 15-25	155TYSB24-5	15-25	176N-4-721-1X	15-60
155DYS28-1A	4-5, 15-27	155TYSB28-13A	15-49, 15-53	176N-4-721X	15-60
155DYS28-21A	15-3	155TYSB28-14A	1-4, 15-46	176N-4-731X	3-10, 15-39
155DYS32-6	4-5, 15-32, 15-33, 15-41	155TYSB28-22A	1-4, 15-46	176N-4-761-1X	15-54, 15-55
155DYS32-6A	4-5, 15-31, 15-42	155TYSB28-38A	15-49, 15-53	176N-4-771-1X	4-11, 15-58
155DYS32-7	15-54, 15-67	155TYSB28-40A	1-4	176N-4-771X	15-58
155N-2-669	1-2	155TYSB29-1A1	1-4	176N-4-781-1X	4-11
155N-3-1241X	2-2	155TYSB31-7	15-49, 15-53, 15-66	176N-4-781X	3-11, 15-57, 15-58, 15-62
155N-4-1891	4-5, 15-9	155TYSB31-7A	15-49, 15-53, 15-66	176N-4-791-1X	4-11, 15-59, 15-60, 15-62
155N-4-1901	4-5	155TYSB32-13A	1-4	176N-4-791X	3-11, 15-59, 15-60, 15-62
155N-4-1941-1	4-5	155TYSB32-26	15-54, 15-67	176N-4-821	3-11
155N-4-2051	4-5	155TYSB32-26A	15-54, 15-67	176N-4-821-1	4-10
155N-4-2431	4-5, 15-10	155TYS32-43	4-5	176N-4-851X	3-11, 15-4
155N-4-2511	15-49, 15-53, 15-66	159N-4-761-1X	4-13	176N-4-861-1X	4-10, 15-44
155N-4-4101	4-5	170N-70-18X	9-9	176N-4-861X	3-11, 15-44
155N-4-4111-1X	15-27	170TYS32-1	4-14	176N-4-871-1X	15-69
155N-4-4211	4-5	170TYS32-1A	4-14	176N-4-871X	15-69
155N-4-4211-1	4-5	170TYS32-1A2	4-14	176N-4-901-1X	15-55
155N-4-4801-1X	15-46	170TYS32-2	4-14	176N-4-901X	15-55
155N-4-4801-2X	15-46	170TYS32-2A	4-14	176N-4-1031-1	4-10
155N-4-5031-1	4-5	170TYS32-2A2	4-14	176N-4-1041-1X	4-10
155N-4-5381-1	15-63	170TYS38-2A1	4-14	176N-4-1041X	3-11, 15-40
155N-4-5431-1X	15-15	170TYS38-4A	4-14	176N-4-1071X	15-13
155N-4-5551-1	4-5	170TYS38-4A1	4-14	176N-4-1101-1X	15-55
155N-4-5581	15-13	176N-3-21X MXL	2-4	176N-4-1161-1X	4-10
155N-4-5611-1X	4-5	176N-3-41X MXL	2-4	176N-4-1161X	3-11, 15-17
155N-4-5671X	15-3	176N-4-11	3-11	176N-4-1171	15-13
155N-4-6831-1X	4-5	176N-4-41	15-69, 15-70	176N-4-1251	15-69
155N-28-307	5-2	176N-4-41-1	15-68	176N-4-1251-1	15-69
155N-40-721	7-4	176N-4-61	15-70	176N-4-1421	3-11
155N-40-761	7-4	176N-4-61-1	15-70	176N-4-1421-1	4-10
155N-53-61	7-2	176N-4-71	3-10	176N-4-1481-1X	4-10
155NY53-5	5-2	176N-4-101-1	4-10	176N-4-1481X	3-11, 15-16

NUMERICAL PARTS LISTING

PART NUMBER	PAGE	PART NUMBER	PAGE	PART NUMBER	PAGE
176N-4-1521-1X	4-10	850NYSM30-25	8-1	CB210088-1X	11-4
176N-4-161	3-11	850NYSM32-18	8-1	CB210090-1X	11-4
176N-4-1651-1X	4-10	950NYSM38-1	8-1	CB210121-1XSA	11-5
176N-4-1681-1	4-11	950NYSM38-15	8-1	CB210140-1X	11-4
176N-4-5221-1X	4-10, 15-16	950NYSM38-20	8-1	CB210144-1X	11-4
176N-4-5221X	3-11, 15-16	950NYSM38-21	8-1	CB210207-1X	11-5
176N-4-651	3-11	983-14-2	6-4	CB210367-1X	11-4
176N-28-17	5-3	983-15-2	6-4	CB210370-1X	11-4
176N-53-21	7-1, 9-ii	1199-A-963	9-11	CB210391-1X	11-5
176NYS28	15-27	1199-A-3329	9-11	CB210433-1X	11-5
176NYS32-3	3-10	1199-B-2576	9-11	CB210527X	11-6
176NYS32-3A2	3-10, 15-31, 15-42	1199-H-1620	9-11	CB210661-1XSA	11-5
176NYS32-3A3	15-31, 15-32	1199-L-2118	9-11	CB210866-1X	11-4
176NYS32-4	15-38	1199-N-1860	9-11	CB210873-1X	11-4
176NYS32-4A	15-36	1199-T-2854	9-11	CB210875-1XSA	11-3
176NYS32-4A1	15-36, 15-37	1199-X-1870	9-11	CB211016X	11-4
176NYS32-6	15-54, 15-67	1227-A-937	9-3, 15-1	CB211187X	11-4
176NYS32-7A	15-30	1227-C-939	9-3, 15-1	CB310001-1X	11-5
176NYS34-3A1	15-13	1227-D-940	9-3, 15-1	CB310002-1X	11-4
176NYS36-10A1	15-16	1227-G-943	9-3, 15-1	CB310003-1X	11-4
176NYS38-3	3-11	1227-J-946	9-3, 15-1	CB310006-1X	11-4
176NYS38-4A1	15-13	1227-K-1051	9-3, 15-1	CB310006-2X	11-4
176NYS38-10	3-11	1227-N-898	9-3, 15-1	CB310006-3X	11-4
176NYS38-13A1	3-11, 15-43	1227-Q-901	9-3, 15-1	CB310007-1X	11-5
176NYS38-14	3-11	1227-R-902	9-3, 15-1	CB310008-1X	11-3
176NYS38-14A4	15-40	1227-Z-936	9-3, 15-1	CB310011-1X	11-3
176NYS38-15A	15-5	1229-A-2653	9-3, 9-4, 15-1	CB310012-1XSA	11-3
176NYS38-20A1	15-17	1229-E-1071	9-3, 9-4, 15-1	CB310013-1X	11-3
176NYS38-21	15-47	1229-E-1331	9-3, 9-4, 15-1	CB310015-1X	11-5
176NYS38-25A	15-43	1229-F-2918	9-4, 15-1	CP20 RPL S	10-16
176NYS40-21A	15-44	1229-G-1281	9-4, 15-1	CP25 RPL S	10-16
176TYS32-3	15-32, 15-33	1229-N-1548	9-4, 15-1	CP58WB-DWT	10-9
176TYS32-3A1	4-10, 15-31, 15-42	1229-N-1730	9-3, 9-4, 15-1	CP58WB-HB	10-9
176TYS32-3A2	15-34, 15-35	1229-S-1397	9-3, 9-4, 15-1	CP58WB-HB-PL	10-9
176TYS32-4A	15-36	1229-S-1605	9-3, 9-4, 15-1	CP58WB-HWD	10-9
176TYS34-3A	15-13	1229-T-1736	9-3, 9-4, 15-1	CP58WB-HWD-PL	10-9
176TYS36-2	15-67, 15-68	1229-W-4521	9-3, 9-4, 15-1	CP62N-50	10-9
176TYS36-2A	15-68	1898-Q-771	9-11	CP62N-51	10-9
176TYS36-10A1	4-10, 15-16	1898-R-720	9-11	CP62N-DWT	10-9
176TYS36-11A	15-16	2206-C-1121	9-11	CP62N-HB	10-10
176TYS38-3A1	15-13	3264-P-172	9-7	CP62N-HB-PL	10-9
176TYS38-10A1	4-10	4137268	12-4	CP62N-HWD	10-10
176TYS38-13A1	15-43	A-3260-D-4	1-1	CP62N-HWD-PL	10-10
176TYS38-15A	15-5	BLWP11-2	9-12	CP72N-118	10-10
176TYS38-16A	15-4	BLWP22-1	9-12	CP72N-170	10-11
176TYS38-20A	15-17	BLWP32	9-12	CP72N-DWT	10-10
176TYS38-20A1	15-17	BLWP32-2	9-12	CP72N-HB	10-10
176TYS38-23	15-47	BLWP32-3	9-12	CP72N-HB-PL	10-10
176TYS38-27	4-10	BLWP33-1	9-12	CP72N-HWD	10-10
176TYS38-27A	4-10	BLWP33-2	9-12	CP72N-HWD-PL	10-10
176TYS38-27A2	4-10	BLWR18-1	9-12	CP82N-68	10-11
176TYS38-27A5	4-10, 15-40	BLWR18-2	9-12	CP82N-77	10-11
176TYS40-14A	15-57, 15-58, 15-62	BLWR18-3	9-12	CP82N-DWT	10-11
176TYS44-4	4-11	BLWR18-4	9-12	CP82N-HB	10-11
176TYS45	4-11	BLWR18-6	9-12	CP82N-HB-PL	10-11
176TYS38-4A	4-10	BPS28-16-1	7-4	CP82N-HWD	10-11
250N-70-18X	9-9	BSS24-52	7-1, 9-ii	CP82N-HWD-PL	10-11
250TYS38-1A	4-14	BSS24-52A	7-1, 9-ii	CP85WB-DWT	10-10
250TYS38-2A	4-14	BSS24-53	7-1, 9-ii	CP85WB-DWT-PL	10-10
250TYS38-2A1	4-14	BSS24-53A	7-1, 9-ii	CP85WB-HB	10-10
58WBYSB30-6	10-15	BSS24-60A	7-1, 9-ii	CP85WB-HB-PL	10-10
750NYSM27-12	8-1	BSS28-92	7-1, 9-ii	CP85WB-HWD	10-10
750NYSM27-13	8-1	BSS31-18	7-1, 9-ii	CP85WB-HWD-PL	10-10
750NYSM28-112	8-1	BSS32-34	7-1, 9-ii	CP92N-70	10-10
850NYSM28-2	8-1	BSS36-10	7-1, 9-ii	CP92N-DWT	10-10
850NYSM30-20	8-1	CB210084-2X	11-5	CP92N-DWT-PL	10-11

NUMERICAL PARTS LISTING

PART NUMBER	PAGE	PART NUMBER	PAGE	PART NUMBER	PAGE
CP92N-HB.....	10-11	CP3022X.....	10-5	DEFR48-10.....	9-7
CP92N-HB-PL.....	10-11	CP3121.....	10-9	DEFR49-1.....	9-7
CP92N-HWD.....	10-11	CP3147X.....	10-5	DEFR53-4.....	9-7
CP92N-HWD-PL.....	10-11	CP3415.....	10-6	DEFR55-3.....	9-7
CP101X.....	10-6	CP3485.....	10-5	DEFR61-1.....	9-7
CP103X.....	10-5	CP3486.....	10-6	DEFR62-1.....	9-7
CP105X.....	10-5	CP4002.....	10-9	GCB210084-2X.....	11-5
CP111X.....	10-6	CP4015.....	10-6	GCB210088-1X.....	11-4
CP115X.....	10-14	CP4101.....	10-9	GCB210090-1X.....	11-4
CP124X.....	10-14	CP4102.....	10-12	GCB210121-1X.....	11-5
CP134X.....	10-6	CP4143X.....	10-9	GCB210130-1X.....	11-5
CP141N.....	10-8	CP4555.....	10-6	GCB210140-1X.....	11-4
CP148N.....	10-7	CP5008.....	10-12	GCB210144-1X.....	11-5
CP153X.....	10-6	CP5015.....	10-12	GCB210207-1X.....	11-5
CP153X.....	12-8	CP5101.....	10-9	GCB210367-1X.....	11-4
CP155N.....	10-7	CP5122.....	10-9	GCB210370-1X.....	11-4
CP155X.....	10-7	CP5177.....	10-9	GCB210391-1X.....	11-5
CP160X.....	10-7	CP72625-4.....	10-5	GCB210433-1X.....	11-5
CP165X.....	10-7	CP2033.....	10-12	GCB210527X.....	11-6
CP170X.....	10-5	CPL6R-50.....	10-5	GCB210661-1X.....	11-5
CP178X.....	10-7	CPL6R-51.....	10-5	GCB210866-1X.....	11-4
CP188X.....	10-7	CPL6R-53.....	10-5	GCB210873-1X.....	11-4
CP200X.....	10-6	CPL10N-2.....	10-6	GCB210875-1X.....	11-3
CP213X.....	10-6	CPL15N-1S.....	10-5	GCB211016X.....	11-4
CP248X.....	10-8	CPL15N-6.....	10-5	GCB211187X.....	11-4
CP260X.....	10-5	CSC8-20-52.....	9-2	GCB310001-1X.....	11-5
CP279X.....	10-14	CSH4-28-13.....	9-2	GCB310002-1X.....	11-5
CP280X.....	10-14	CSH5-24-27.....	9-2	GCB310005-1X.....	11-4
CP281X.....	10-14	CSH5-24-28.....	9-2	GCB310006-1X.....	11-4
CP297-1X.....	10-5	CSH5-24-34.....	9-2	GCB310007-1X.....	11-5
CP297X.....	10-5	CSH5-24-37.....	9-2	GCB310013-1X.....	11-5
CP332X.....	10-6	DC5N-16.....	9-5	GCB310014-1X.....	11-5
CP353X.....	10-8	DC17N.....	9-5	GCB310015-1X.....	11-5
CP354X.....	10-8	DC17N-3.....	9-5	GCP62N-DWT.....	10-10
CP357X.....	10-8	DC62N-1.....	9-5	GCP62N-HB.....	10-10
CP407X.....	10-14	DC72N.....	9-5	GCP62N-HWD.....	10-10
CP460X.....	10-6	DC72N-1.....	9-5	GCP72N-DWT.....	10-10
CP527X.....	10-5	DC82N-1.....	9-5	GCP72N-HB.....	10-10
CP541X.....	10-8	DC82N-4.....	9-5	GCP72N-HWD.....	10-10
CP674X.....	10-15	DC148N-1.....	9-5	GCP82N-DWT.....	10-11
CP675X.....	10-15	DC155N.....	9-5	GCP82N-HB.....	10-11
CP676X.....	10-15	DEFR22-4.....	9-7	GCP82N-HWD.....	10-11
CP677X.....	10-15	DEFR22-5.....	9-7	GCP85WB-DWT.....	10-10
CP750N.....	10-7	DEFR25-1.....	9-7	GCP85WB-HWD.....	10-10
CP750N-1.....	10-7	DEFR25-2.....	9-7	GCP92N-DWT.....	10-11
CP750N-4.....	10-7	DEFR25-4.....	9-7	GCP92N-HB.....	10-11
CP750N-7.....	10-7	DEFR28-3.....	9-7	GCP92N-HWD.....	10-11
CP750N-8.....	10-7	DEFR28-4.....	9-7	GCP101X.....	10-6
CP850N-4.....	10-7	DEFR33-1.....	9-7	GCP111X.....	10-6
CP850N-9.....	10-7	DEFR34-1.....	9-7	GCP115X.....	10-14
CP950N.....	10-7	DEFR35-3.....	9-7	GCP124X.....	10-14
CP950N-3.....	10-7	DEFR37-1.....	9-7	GCP129X.....	10-6
CP1200X.....	10-8	DEFR38-1.....	9-7	GCP134X.....	10-6
CP1201X.....	10-8	DEFR38-3.....	9-7	GCP153X.....	10-6
CP1203X.....	10-8	DEFR38-5.....	9-7	GCP155X.....	10-7
CP1204X.....	10-8	DEFR40-5.....	9-7	GCP160X.....	10-7
CP1205X.....	10-5	DEFR41-1.....	9-7	GCP165X.....	10-7
CP1301X.....	10-5	DEFR42-1.....	9-7	GCP170X.....	10-5
CP1306-1X.....	10-5	DEFR43-1.....	9-7	GCP178X.....	10-7
CP1306X.....	10-5	DEFR44-10.....	9-7	GCP188X.....	10-7
CP2011X.....	10-5	DEFR44-11.....	9-7	GCP212X.....	10-8
CP2031.....	10-12	DEFR47-5.....	9-7	GCP213X.....	10-6
CP2116.....	10-9	DEFR47-6.....	9-7	GCP242X.....	10-5
CP2140.....	10-8	DEFR48-2.....	9-7	GCP243X.....	10-6
CP3000.....	10-9	DEFR48-6.....	9-7	GCP260X.....	10-5
CP3012.....	10-12	DEFR48-8.....	9-7	GCP297X.....	10-5

NUMERICAL PARTS LISTING

PART NUMBER	PAGE	PART NUMBER	PAGE	PART NUMBER	PAGE
GCP308X	10-7	ND2K	9-5	R600	10-11
GCP353X	10-8	ND3A	9-6	R91382SF	12-8
GCP443X	10-6	ND3E	9-5	R280194	9-6
GCP1200X	10-8	ND3H	9-6	R280195	9-6
GCP1204X	10-8	ND3K	9-5	R280196	9-6
GCP1206X	10-6	NL-25-1	9-3	R903862-1409W	12-3
GCP1306-1X	10-5	NL-26-1	9-3	R903862-1602W	12-3
GCP1306X	10-5	NL-112-1	9-3	R909363-2600	12-1, 12-2
GCP1309X	10-5	NUEL8-20-8	9-3	R909365-2600	12-1, 12-2
GCP1505X	10-5	NUHX6-24-14	9-3	R911818-2600	12-1, 12-2
GCP1510X	10-5	NUJA8-20-6	9-3	R912170-1511W	12-3
GCP2011X	10-5	PLEX28-1	9-12	R912747	12-4
GCP2116	10-9	PLEX31-14	9-12	R912777	12-4
GCP3000	10-9	PLEX33-1	9-12	R914156-1324W	12-3
GCP3022X	10-5	PLEX42-2	9-12	R919976-3400	12-1, 12-2
GCP3147X	10-5	PLWE30-1	9-12	R919990-3400	12-1, 12-2
GCP4002	10-9	PLWE33-2	9-12	RBR28-1	9-7
GCP4143X	10-9	PLWE36-1	9-12	REBC16S	9-10
GCP5173X	10-9	PLWE36-2	9-12	REBC17S	9-10
GCP5177X	10-9	PLWE36-6	9-12	REBC131	9-10
KIT-17N-COUP	7-6	PLWE36-7	9-12	REBC141	9-10
KIT-17N-SLIP	7-6	PLWE40-5	9-12	REBC141-1	9-10
KIT-20R-COUP	7-6	PLWE43-1	9-12	REBC148	9-10
KIT-20R-SLIP	7-6	PLWE43-2	9-12	REBC148-2	9-10
KIT-25R-COUP	7-6	PLWE43-12	9-12	RECP148	9-10
KIT-25SLIP&UJT	7-6	PLWE53-4	9-12	RECP155	9-10
KIT 6167	9-6	PLWE53-15	9-12	RRER16-2	9-11
KIT 6168	9-6	PS28-16-8	7-4	RRIR24-2	9-11
KIT-CP1610-HDWE	9-10	PS28-16-13	7-4	RRIR36-4	9-11
KT16SB	9-9	PS32-16-28	7-4	RT-2-11-72	6-1
KT17SB	9-9	PS32-16-30	7-4	RT-2-14-72	6-1
KT116	9-9	PS32-16-76	7-4	RT-2-14-108	6-1
KT117	9-9	PS32-16-77	7-4	RT-3-11-72	6-2
KT118	9-9	PS40-16-15	7-4	RT-3-11-108	6-2
KT121	9-9	PS40-16-34	7-4	RT-3-13-72	6-2
KT122	9-9	PS40-16-49	7-4	RT-3-13-108	6-2
KT123	9-9	PS40-16-56	7-4	RT-3-14-72	6-2
KT124	9-9	PS40-16-61	7-4	RT-3-14-108	6-2
KT125	9-9	PS40-16-62	7-4	RT-3-16-72	6-2
KT126	9-9	PS48-10-1	7-4	RT-3-16-108	6-2
L6NLS20-55DC	13-2	PS48-16-1	7-5	RT-3-187-72	6-2
L6NLS20-63DC1	13-2	PS48-16-5	7-5	RT-3-187-108	6-2
L6NLS20-65DC	13-2	PS48-16-16	7-5	RT-4-10-72	6-3
L6NLS20-127	13-2	PS48-16-19	7-5	RT-4-10-108	6-3
L6NLS20-133A	13-2	PS48-16-38	7-5	RT-4-12-72	6-3
L6NYS12-39	13-1	R3R-3-6081X	2-6	RT-4-12-108	6-3
L6NYS13-31	13-1	R3R-3-9101X	2-6	RT-4-13-72	6-3
L6NYS13-34	13-1	R3R-3-9131X	2-6	RT-4-13-108	6-3
L6NYS14-65	13-1	R3R-3-9161X	2-6	RT-4-14-72	6-3
L6NYS14-100	13-1	R3R-3-9165KX	2-3	RT-4-14-108	6-3
L6NYS16-12	13-1	R3R-26-57	12-5	RT-4-187-72	6-3
L6NYS16-16	13-1	R3R-28-157	5-2	RT-4-187-108	6-3
L6NYS16-18	13-1	R3R-28-307	5-2	RT-15-11-72	6-1
L6NYS16-34	13-1	R3R-28-325	5-2	RT-15-11-108	6-1
LPHC39-3	9-10	R3R-28-327	5-2	RT-15-13-72	6-1
M279X	10-14	R3R-28-397	5-2	RT-15-13-108	6-1
M280X	10-14	R3R-28-427	5-2	RT-25-14-72	6-1
M281X	10-14	R3R-28-437	5-2	RT-25-14-108	6-1
M407X	10-14	R3R-28-869	12-7	RT-25-16-72	6-1
M674X	10-15	R3R-83-482	12-6	RT-25-16-108	6-1
M675X	10-15	R10V5	5-3	RT-35-10-72	6-2
M676X	10-15	R005961	9-3	RT-35-10-108	6-2
M677X	10-15	R9553-SF	12-8, 14-4	RT-35-11-72	6-2
MS-212030-2	9-2	R10270-SF	12-8, 14-4	RT-35-11-108	6-2
MS-212060-2	9-2	R170	10-10	RT-35-13-72	6-2
ND2C	9-6	R490	10-11	RT-35-13-108	6-2

NUMERICAL PARTS LISTING

PART NUMBER	PAGE	PART NUMBER	PAGE	PART NUMBER	PAGE
RT-35-14-72	6-2	SERUR32-7	9-6		
RT-35-14-108	6-2	SERUR32-9	9-6		
RT-35-16-72	6-2	SERUR33-4	9-6		
RT-35-16-108	6-2	SERUR39-2	9-6		
RT-35-156-72	6-2	SERUR40-3	9-6		
RT-35-156-108	6-2	SERUR40-8	9-6		
RT-45-3-72	6-3	SERUR40-21	9-6		
RT-45-3-108	6-3	SERUS20	9-6		
RT-45-10-72	6-3	SERUS28-4	9-6		
RT-45-10-108	6-3	SP-1010	9-2		
RT-45-13-72	6-3	SP-1012	9-2		
RT-45-13-108	6-3	SP-1013	9-2		
RT-45-187-72	6-3	SP-1014	9-2		
RT-45-187-108	6-3	SP-1045	9-2		
RT-45-375-72	6-3	SP-1049	9-2		
RT-45-375-108	6-3	US90X	10-15		
RT-125-11-72	6-1	US170X	10-15		
RT-125-11-108	6-1	US250X	10-15		
RT-175-11-72	6-1	US279X	10-14		
RT-175-14-108	6-1	US280X	10-14		
RT-175-16-72	6-1	US281X	10-14		
RT-175-16-108	6-1	US407X	10-14		
RT-225-11-72	6-1	US674X	10-15		
RT-225-11-108	6-1	US675X	10-15		
RT-275-10-108	6-1	US676X	10-15		
RT-275-13-72	6-1	US677X	10-15		
RT-275-13-108	6-1	WA-15Z	9-1		
RT-275-14-72	6-1	WA-18	9-1		
RT-275-14-108	6-1	WA-46	9-1		
RT-325-11-72	6-2	WA-48	9-1		
RT-325-11-108	6-2	WALM7-2	9-1		
RT-325-13-72	6-2	WAR8-14	9-1		
RT-325-13-108	6-2	WAR13-5	9-1		
RT-325-187-72	6-2	WAR20-1	9-1		
RT-459-7-72	6-3	WAR21-1	9-1		
RT-459-7-108	6-3	WIR46-2	9-11		
RT-472-197-72	6-3				
RT-472-197-108	6-3				
RT-496-118-72	6-3				
RT-2375-14-72	6-1				
RT-2375-14-108	6-1				
RT-4095-7-72	6-3				
RT-4095-7-108	6-3				
RT-5059-167-72	6-4				
RT-5059-167-108	6-4				
RT-5118-197-72	6-4				
RT-5197-236-72	6-4				
RT-5197-236-108	6-4				
S-155B-2	9-2				
S-165B-2 1	9-2				
S-168-2	9-2				
S-179-2	9-2				
S-1616-2	9-2				
S-1716-2	9-2				
S-1812-2	9-2				
S-1818-2	9-2				
S-1820-2	9-2				
S-1822-2	9-2				
S-11212	9-2				
SERUR14-16	9-6				
SERUR16-8	9-6				
SERUR21-3	9-6				
SERUR22-4	9-6				
SERUR25-1	9-6				
SERUR25-2	9-6				
SERUR25-4	9-6				

MERITOR 2-YEAR/UNLIMITED MILE WARRANTY RPL AND MXL COMPONENTS

Meritor has brought many firsts to the trucking industry. The RPL driveline is the first commercially-available, permanently lubricated driveline in North America. The MXL is the first 10-Series compatible driveline with 100,000 mile lubrication intervals. Meritor Aftermarket is now offering a 2-YEAR/UNLIMITED MILE WARRANTY on selected RPL and MXL components.

MERITOR AFTERMARKET PARTS WARRANTY

For purchases made after January 1, 2012, we warrant all genuine Meritor® replacement RPL and MXL driveline components listed below for two years from date of shipment to the buyer against defective material or workmanship (but not against damage caused by accident, abuse or improper installation, maintenance or repair) when such parts are used on vehicles the specifications of which have been approved by our Engineering Department.

RPL DRIVELINE COMPONENTS

CP20RPLS
CP25RPLS
20RLS40-2A1S
20RLS40-3A1S
20RLS40-11A1S
25RLS48-1A1S
25RPL-SLIP
Complete RPL20 and RPL25 driveshaft assemblies

NOTE: New Meritor spline plugs must be used with these slip yokes for warranty to be valid

MSL DRIVELINE COMPONENTS

M279X	17N 3 2401X MXL
M280X	17N 3 2571X MXL
M281X	17N 3 2631X MXL
M407X	17N 3 2651X MXL
M674X	17N 3 2671X MXL
M675X	17N 3 2761X MXL
M676X	17N 3 3021X MXL
M677X	17NLS40 124A1 MXL
16NLS32-47A2 MXL	17NLS40 98CA1 MXL
16NLS32-48A2 MXL	18N 3 1351X MXL
176N 3 21X MXL	18N 3 1371X MXL
176N 3 41X MXL	18N 3 1431X MXL

Complete MXL driveshaft assemblies

NOTE: New Meritor spline plugs must be used with these slip yokes for warranty to be valid

MERITOR DRIVELINE AFTERMARKET WARRANTY

As the exclusive remedy under this warranty, we will, at our option, repair or replace such parts free of charge, or take back the non-conforming parts and refund the monies paid by buyer for such parts, if found on examination by us to be nonconforming and if any necessary return charges are prepaid. If it is necessary to return any parts under this warranty, buyer agrees not to make any deduction on account thereof from remittances on current accounts while claims are in the process of disposition. Any expense incurred without our consent for repairs or replacement will not be allowed. This warranty is a limited parts only warranty, and does not include any labor, regardless of the source of that labor.

THIS WARRANTY IS EXPRESSLY IN LIEU OF ALL OTHER WARRANTIES OR CONDITIONS, EXPRESS, IMPLIED OR STATUTORY, INCLUDING ANY IMPLIED WARRANTY OF MERCHANTABILITY OR FITNESS FOR PARTICULAR PURPOSE. IN NO EVENT SHALL SELLER BE LIABLE FOR INCIDENTAL OR CONSEQUENTIAL DAMAGES OF ANY NATURE.

MERITOR AFTERMARKET PARTS WARRANTY

We warrant all new parts for one year from date of shipment to the buyer against defective material or workmanship (but not against damage caused by accident, abuse or improper installation, maintenance or repair) when such parts are used on vehicles the specifications of which have been approved by our Engineering Department.

As the exclusive remedy under this warranty, we will, at our option, repair or replace such parts free of charge, or take back the nonconforming parts and refund the monies paid by buyer for such parts, if found on examination by us to be nonconforming and if any necessary return charges are prepaid.

If it is necessary to return any parts under this warranty, buyer agrees not to make any deduction on account thereof from remittances on current accounts while claims are in the process of disposition. Any expense incurred without our consent for repairs or replacement will not be allowed.

THIS WARRANTY IS EXPRESSLY IN LIEU OF ALL OTHER WARRANTIES OR CONDITIONS, EXPRESS, IMPLIED OR STATUTORY, INCLUDING ANY IMPLIED WARRANTY OF MERCHANTABILITY OR FITNESS FOR PARTICULAR PURPOSE. IN NO EVENT SHALL SELLER BE LIABLE FOR INCIDENTAL OR CONSEQUENTIAL DAMAGES OF ANY NATURE.

Only genuine Meritor replacement parts are covered by this aftermarket parts warranty.

Vehicle models, brands and names depicted herein are the property of their respective owners, and are not in any way associated with Meritor, Inc., or its affiliates.



Meritor Heavy Vehicle Systems, LLC
7975 Dixie Highway
Florence, Kentucky 41042 USA

888-725-9355 U.S.
800-387-3889 Canada
MeritorPartsOnline.com
meritor.com

©2014 Meritor, Inc.
Litho in USA, PB-9895
Revised 11-14 (47865/67147)